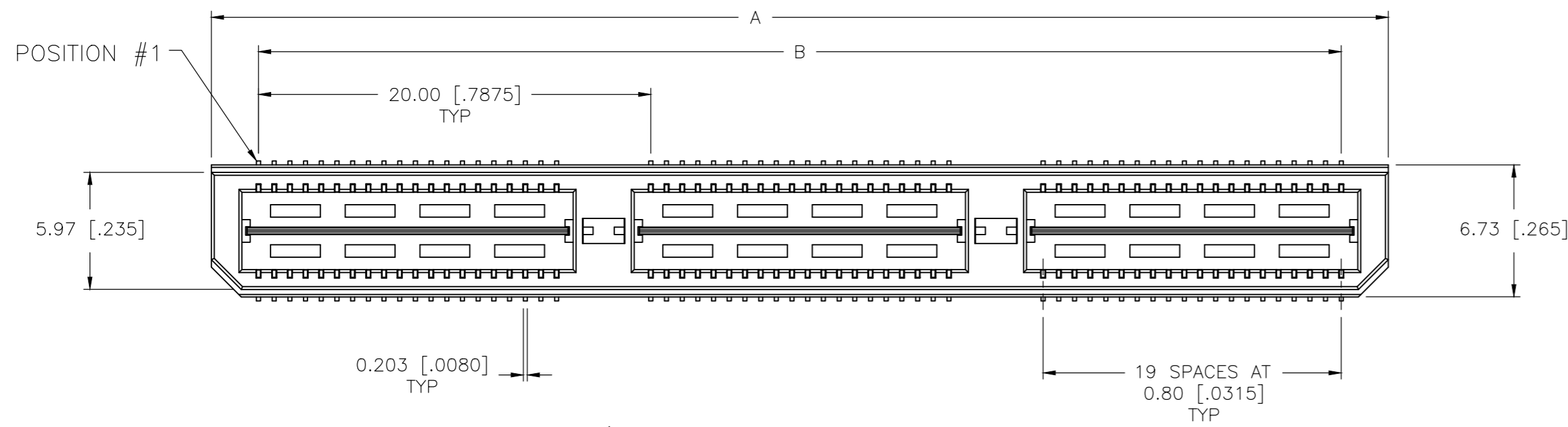
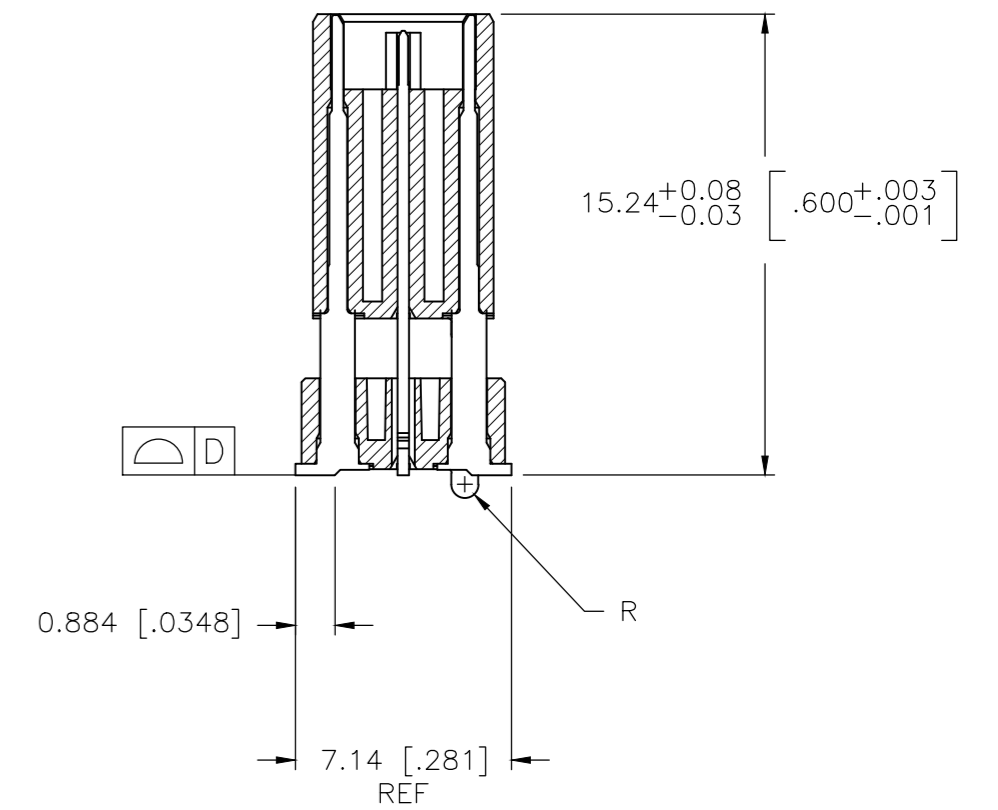
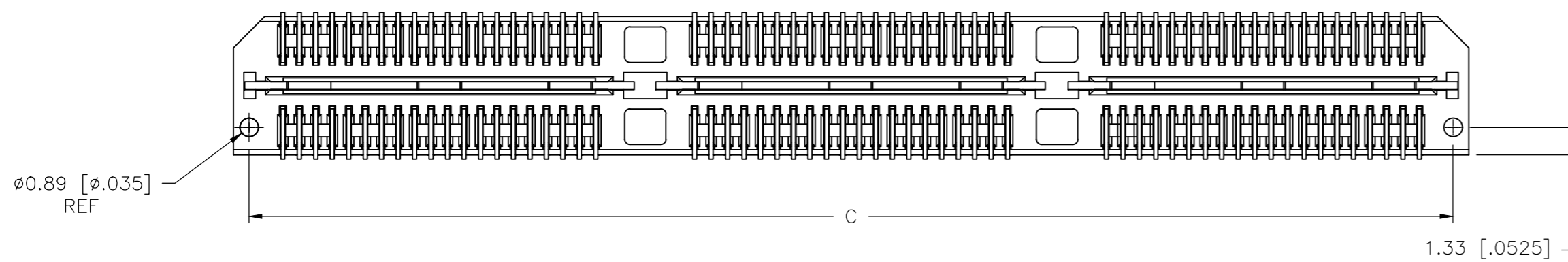
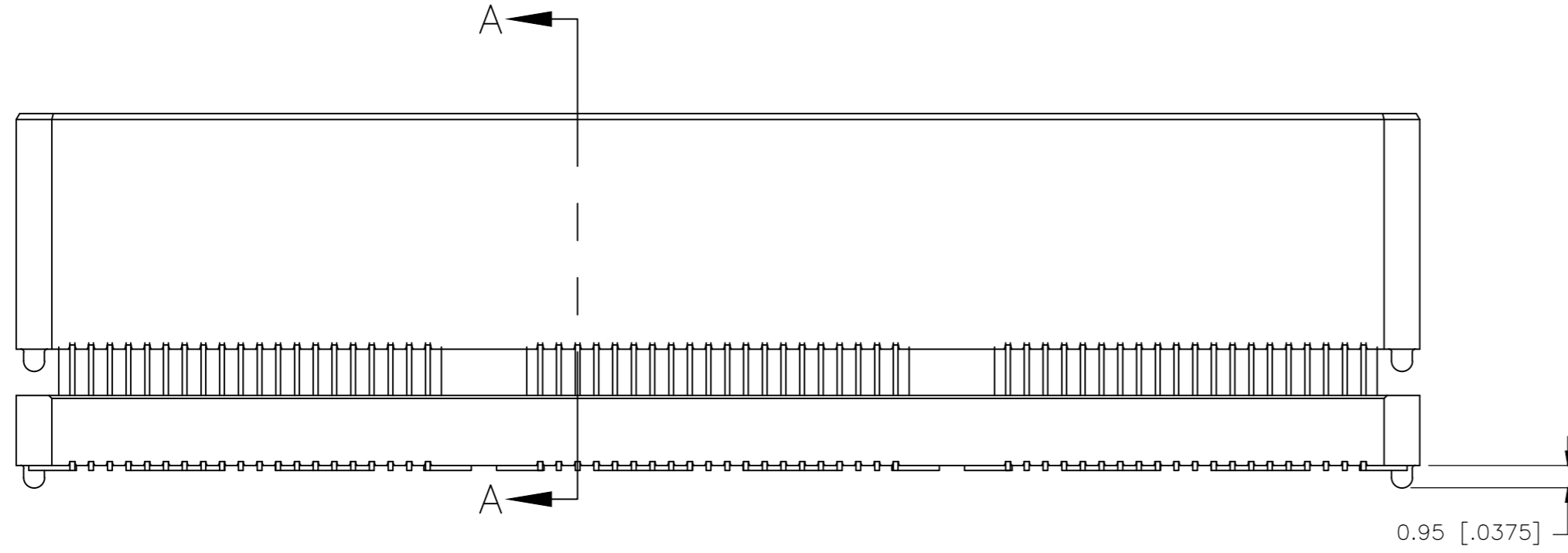


THIS DRAWING IS UNPUBLISHED. RELEASED FOR PUBLICATION
 © COPYRIGHT - By - ALL RIGHTS RESERVED.

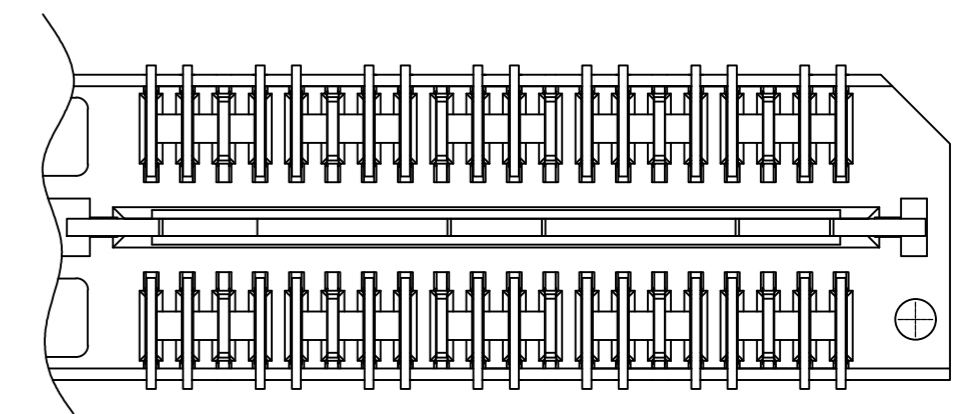
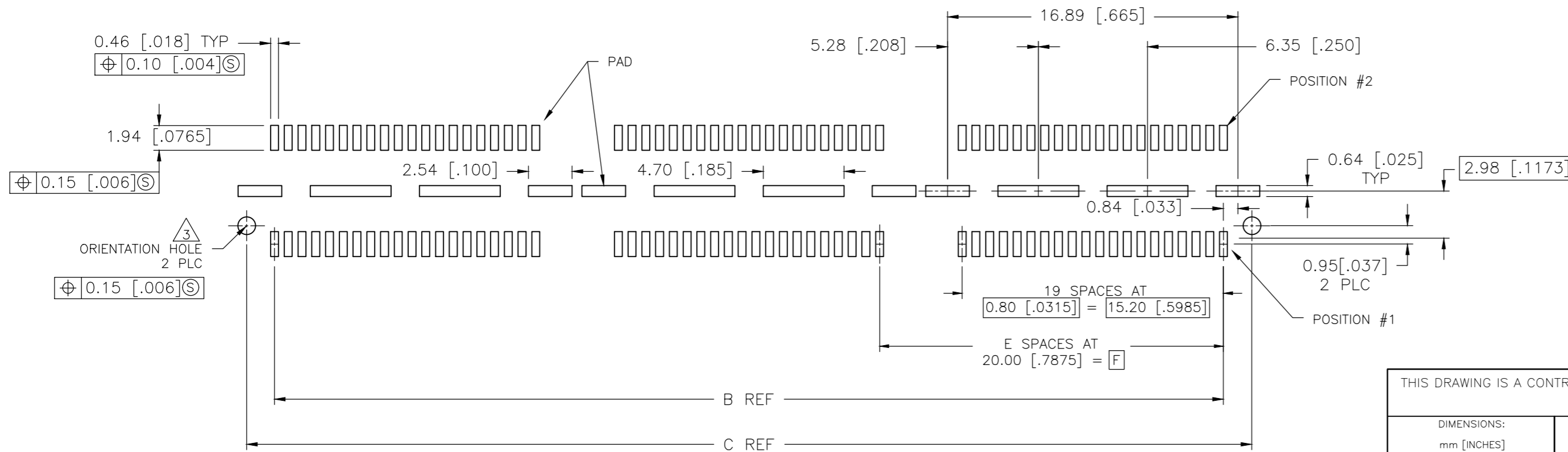
| REVISIONS | | | | |
|-----------|-----|---------------|-----------|-------|
| P | LTR | DESCRIPTION | DATE | APVD |
| J | | ECO-20-001407 | 29JAN2020 | TL HL |



- 1 HOUSING: LCP, BLACK.
CONTACT & GROUND PLANE: PHOS BRONZE.
- 2 CONTACT PLATING: SELECT 0.76 MICROMETERS (.000030 IN) MIN GOLD.
- 3 FOR STANDARD APPLICATIONS, ORIENTATION HOLE TO BE $\phi 1.02$ [$\phi .0400$].



SECTION A-A



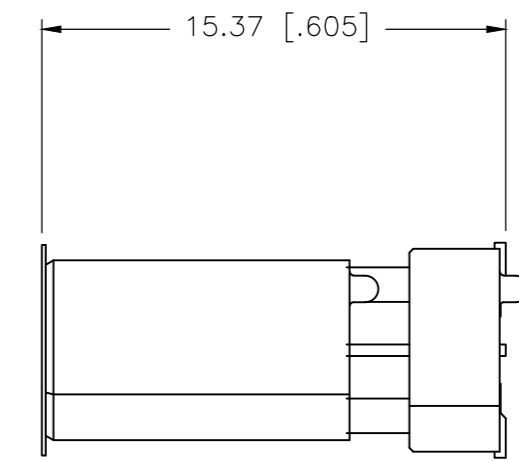
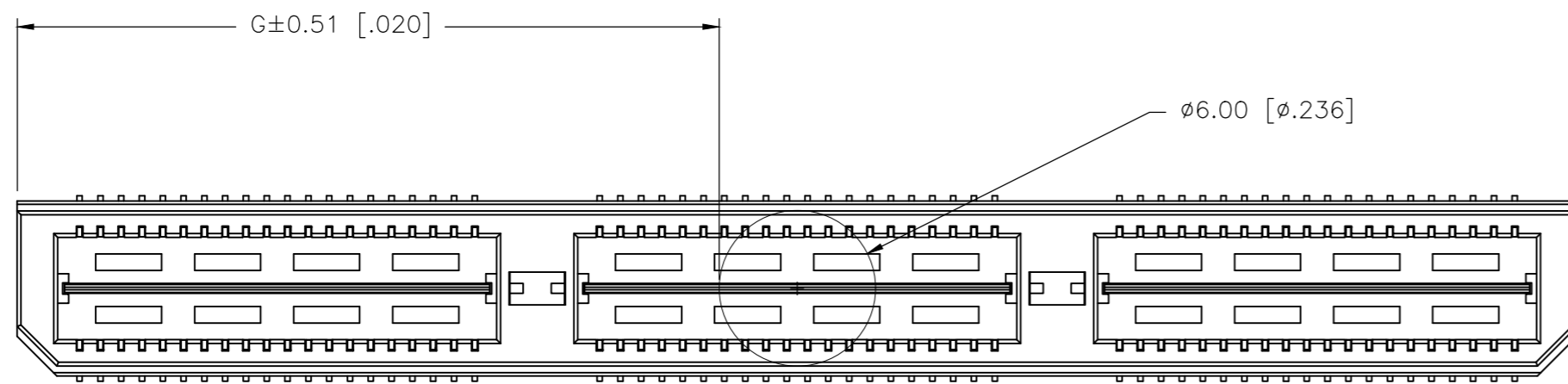
DIFFERENTIAL PAIR LOADING
(BOTTOM VIEW)
SCALE 2:1

RECOMMENDED PC BOARD LAYOUT
(VIEWED FROM CONNECTOR SIDE)

| | | | |
|---|--|----------------------------|---|
| THIS DRAWING IS A CONTROLLED DOCUMENT. | | DWN B.CARBO 27MAY03 | STE TE Connectivity Ltd. |
| DIMENSIONS: mm [INCHES] | | CHK D.DIXON 27MAY03 | |
| TOLERANCES UNLESS OTHERWISE SPECIFIED: | | APVD D.DIXON 27MAY03 | NAME HEADER ASSEMBLY, 16.0MM [.630] VERTICAL, 0.80MM CL, MICTOR SB |
| 0 PLC ± - 1 PLC ± 0.3[.01] 2 PLC ± 0.13[.005] 3 PLC ± 0.051[.0020] 4 PLC ± - ANGLES ± 2° | | APPLICATION SPEC | SIZE A2 |
| MATERIAL | | WEIGHT | CAGE CODE 00779 |
| FINISH | | CUSTOMER DRAWING | DRAWING NO C=1658466 |
| 1 | | RESTRICTED TO | |
| 2 | | SCALE 4:1 | |
| | | SHEET 1 OF 2 | |
| | | REV J | |

THIS DRAWING IS UNPUBLISHED. RELEASED FOR PUBLICATION
 © COPYRIGHT - By - ALL RIGHTS RESERVED.

| REVISIONS | | | | |
|-----------|-----|-------------|------|------|
| P | LTR | DESCRIPTION | DATE | APVD |
| - | - | SEE SHEET 1 | - | - |



| | | | | | | | | | | | |
|--------------|--------------|---|--------------|--------------|--------------|---------------|--------------------|----------------|------------|-----------|-------------|
| 17.00(.699) | 20.00(.7874) | 1 | 0.102(.0040) | 38.48(1.515) | 35.20(1.386) | 40.00(1.575) | YES | 72 MM TAPE | NO | 80 | 7-1658466-4 |
| 27.01(1.063) | 40.00(1.575) | 2 | 0.102(.0040) | 58.50(2.303) | 55.20(2.173) | 60.00(2.362) | YES | POCKET TAPE | YES | 84 | 7-1658466-3 |
| 17.00(.699) | 20.00(.7874) | 1 | 0.102(.0040) | 38.48(1.515) | 35.20(1.386) | 40.00(1.575) | YES | POCKET TAPE | YES | 56 | 7-1658466-2 |
| 6.99(.275) | 0(.000) | 0 | 0.102(.0040) | 18.49(.728) | 15.20(.598) | 20.00(.787) | YES | POCKET TAPE | YES | 28 | 7-1658466-1 |
| 27.01(1.063) | 40.00(1.575) | 2 | 0.102(.0040) | 58.50(2.303) | 55.20(2.173) | 60.00(2.362) | YES | POCKET TAPE | NO | 120 | 6-1658466-3 |
| 17.00(.699) | 20.00(.7874) | 1 | 0.102(.0040) | 38.48(1.515) | 35.20(1.386) | 40.00(1.575) | YES | POCKET TAPE | NO | 80 | 6-1658466-2 |
| 6.99(.275) | 0(.000) | 0 | 0.102(.0040) | 18.49(.728) | 15.20(.598) | 20.00(.787) | YES | POCKET TAPE | NO | 40 | 6-1658466-1 |
| - | 40.00(1.575) | 2 | 0.102(.0040) | 58.50(2.303) | 55.20(2.173) | 60.00(2.362) | NO | POCKET TAPE | YES | 84 | 5-1658466-3 |
| - | 20.00(.7874) | 1 | 0.102(.0040) | 38.48(1.515) | 35.20(1.386) | 40.00(1.575) | NO | POCKET TAPE | YES | 56 | 5-1658466-2 |
| - | 0(.000) | 0 | 0.102(.0040) | 18.49(.728) | 15.20(.598) | 20.00(.787) | NO | POCKET TAPE | YES | 28 | 5-1658466-1 |
| - | 40.00(1.575) | 2 | 0.102(.0040) | 58.50(2.303) | 55.20(2.173) | 60.00(2.362) | NO | POCKET TAPE | NO | 120 | 4-1658466-3 |
| - | 20.00(.7874) | 1 | 0.102(.0040) | 38.48(1.515) | 35.20(1.386) | 40.00(1.575) | NO | POCKET TAPE | NO | 80 | 4-1658466-2 |
| - | 0(.000) | 0 | 0.102(.0040) | 18.49(.728) | 15.20(.598) | 20.00(.787) | NO | POCKET TAPE | NO | 40 | 4-1658466-1 |
| 47.00(1.850) | 80.00(3.150) | 4 | 0.152(.0060) | 98.50(3.748) | 95.20(3.748) | 100.00(3.937) | YES | TRAY | YES | 140 | 3-1658466-5 |
| 37.02(1.457) | 60.00(2.362) | 3 | 0.152(.0060) | 78.49(3.090) | 75.20(2.961) | 80.00(3.150) | YES | TRAY | YES | 112 | 3-1658466-4 |
| 27.01(1.063) | 40.00(1.575) | 2 | 0.102(.0040) | 58.50(2.303) | 55.20(2.173) | 60.00(2.362) | YES | TRAY | YES | 84 | 3-1658466-3 |
| 17.00(.699) | 20.00(.7874) | 1 | 0.102(.0040) | 38.48(1.515) | 35.20(1.386) | 40.00(1.575) | YES | TRAY | YES | 56 | 3-1658466-2 |
| 6.99(.275) | 0(.000) | 0 | 0.102(.0040) | 18.49(.728) | 15.20(.598) | 20.00(.787) | YES | TRAY | YES | 28 | 3-1658466-1 |
| 47.00(1.850) | 80.00(3.150) | 4 | 0.152(.0060) | 98.50(3.748) | 95.20(3.748) | 100.00(3.937) | YES | TRAY | NO | 200 | 2-1658466-5 |
| 37.02(1.457) | 60.00(2.362) | 3 | 0.152(.0060) | 78.49(3.090) | 75.20(2.961) | 80.00(3.150) | YES | TRAY | NO | 160 | 2-1658466-4 |
| 27.01(1.063) | 40.00(1.575) | 2 | 0.102(.0040) | 58.50(2.303) | 55.20(2.173) | 60.00(2.362) | YES | TRAY | NO | 120 | 2-1658466-3 |
| 17.00(.699) | 20.00(.7874) | 1 | 0.102(.0040) | 38.48(1.515) | 35.20(1.386) | 40.00(1.575) | YES | TRAY | NO | 80 | 2-1658466-2 |
| 6.99(.275) | 0(.000) | 0 | 0.102(.0040) | 18.49(.728) | 15.20(.598) | 20.00(.787) | YES | TRAY | NO | 40 | 2-1658466-1 |
| - | 80.00(3.150) | 4 | 0.152(.0060) | 98.50(3.748) | 95.20(3.748) | 100.00(3.937) | NO | TRAY | YES | 140 | 1-1658466-5 |
| - | 60.00(2.362) | 3 | 0.152(.0060) | 78.49(3.090) | 75.20(2.961) | 80.00(3.150) | NO | TRAY | YES | 112 | 1-1658466-4 |
| - | 40.00(1.575) | 2 | 0.102(.0040) | 58.50(2.303) | 55.20(2.173) | 60.00(2.362) | NO | TRAY | YES | 84 | 1-1658466-3 |
| - | 20.00(.7874) | 1 | 0.102(.0040) | 38.48(1.515) | 35.20(1.386) | 40.00(1.575) | NO | TRAY | YES | 56 | 1-1658466-2 |
| - | 0(.000) | 0 | 0.102(.0040) | 18.49(.728) | 15.20(.598) | 20.00(.787) | NO | TRAY | YES | 28 | 1-1658466-1 |
| - | 80.00(3.150) | 4 | 0.152(.0060) | 98.50(3.748) | 95.20(3.748) | 100.00(3.937) | NO | TRAY | NO | 200 | 1658466-5 |
| - | 60.00(2.362) | 3 | 0.152(.0060) | 78.49(3.090) | 75.20(2.961) | 80.00(3.150) | NO | TRAY | NO | 160 | 1658466-4 |
| - | 40.00(1.575) | 2 | 0.102(.0040) | 58.50(2.303) | 55.20(2.173) | 60.00(2.362) | NO | TRAY | NO | 120 | 1658466-3 |
| - | 20.00(.7874) | 1 | 0.102(.0040) | 38.48(1.515) | 35.20(1.386) | 40.00(1.575) | NO | TRAY | NO | 80 | 1658466-2 |
| - | 0(.000) | 0 | 0.102(.0040) | 18.49(.728) | 15.20(.598) | 20.00(.787) | NO | TRAY | NO | 40 | 1658466-1 |
| G | F | E | D | C | B | A | POLYAMIDE FILM PAD | PACKAGING TYPE | DIFF. PAIR | NO OF POS | PART NUMBER |

THIS DRAWING IS A CONTROLLED DOCUMENT.

DWN B.CARBO 27MAY03
 CHK D.DIXON 27MAY03
 APVD D.DIXON 27MAY03

STE TE Connectivity Ltd.

NAME: HEADER ASSEMBLY, 16.0MM [.630] VERTICAL, 0.80MM CL, MICTOR SB

SIZE: A2 CAGE CODE: 00779 DRAWING NO: C-1658466 RESTRICTED TO: -

MATERIAL: SEE SHEET 1 FINISH: SEE SHEET 1 WEIGHT: - SCALE: 4:1 SHEET: 2 of 2 REV: J

CUSTOMER DRAWING

单击下面可查看定价，库存，交付和生命周期等信息

[>>TE Connectivity\(泰科\)](#)