

THIS DRAWING IS UNPUBLISHED. RELEASED FOR PUBLICATION 2000  
 © COPYRIGHT 2000 BY TYCO ELECTRONICS CORPORATION. ALL RIGHTS RESERVED.

LOC	DIST	REVISIONS						
		P	LTR	DESCRIPTION	DATE	DWN	APVD	
J		A1		REVISED	ECR-05-000663	16MAR05	AY	HY
		A2		REVISED	ECR-08-010018	21APR08	TS	KB

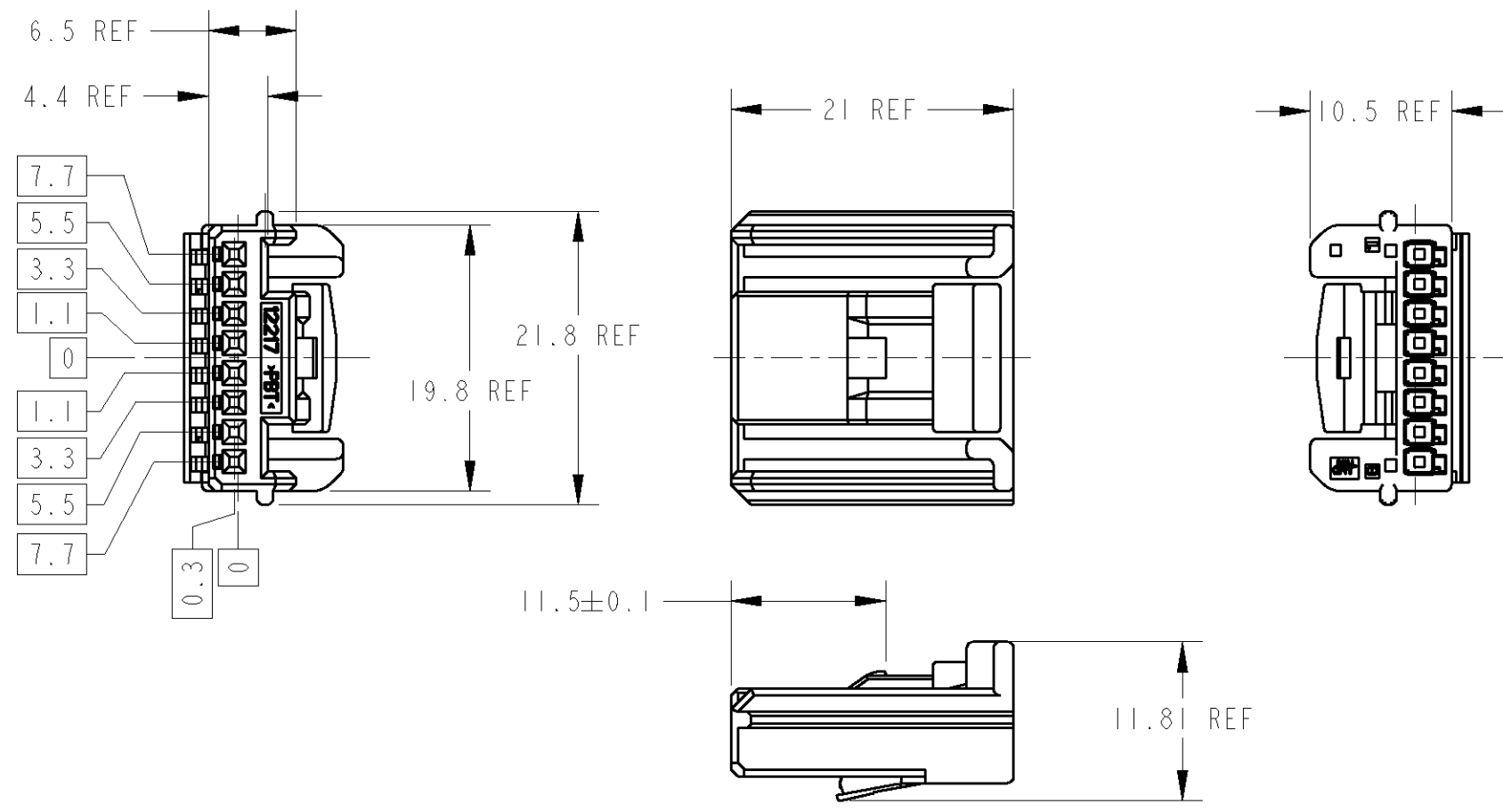


TABLE-1

POS. 極数	CAP ASSEMBLY PART NUMBER キャップ型番
8	1376366-1

TABLE-2

	FINISH 仕上げ	TYCO P/N	APPLICABLE WIRE RANGE 適用電線
SIGNAL 025	TIN	1123343-1	AVSS/CAVUS 0.3~0.5mm <sup>2</sup> AVSSF-f 0.3~0.5mm <sup>2</sup> CAVS 0.22~0.5mm <sup>2</sup>

1. INSTRUCTION SHEET NO ; 411-5965.
2. PART NUMBER OF CAP HOUSING ASSEMBLY TO BE MATED ; SEE TABLE-1.
3. APPLICABLE TERMINAL;SEE TABLE-2.
4. THE RETAINER SHOULD BE SET TO THE PRE-ASSEMBLY POSITION WITHIN THE PLUG HOUSING WHEN SHIPPED TO THE CUSTOMER.

1. 取扱説明書 ; 411-5965
2. 嵌合相手型番 ; TABLE-1参照
3. 適用端子 ; TABLE-2参照
4. リテーナは仮係止状態で出荷される。

PAPER BOX ダンボール箱	PLASTIC BAG ビニール袋	BLACK	1376368-2
PAPER BOX ダンボール箱	PLASTIC BAG ビニール袋	NATURAL	1376368-1
OUTER 外装	INNER 内装	COLOR	TYCO P/N
PACKING STYLE 梱包形態			

THIS DRAWING IS A CONTROLLED DOCUMENT FOR TYCO ELECTRONICS CORPORATION IT IS SUBJECT TO CHANGE AND THE CONTROLLING ENGINEERING ORGANIZATION SHOULD BE CONTACTED FOR THE LATEST REVISION.		DWN N.YASUDA 28AUG00	Tyco Electronics AMP K.K. Kawasaki, Japan	
DIMENSIONS: mm		CHK N.SAI 28AUG00	NAME 025 SERIES I/O CONNECTOR 8POS PLUG HOUSING IROW	
TOLERANCES UNLESS OTHERWISE SPECIFIED: 一般公差 : ± 0.3		APVD N.SAI 28AUG00		
0-PLC ±		PRODUCT SPEC 108-5664	SIZE A3	CAGE CODE 00779
1-PLC ±0.5		APPLICATION SPEC 114-5250	DRAWING NO C=1376368	RESTRICTED TO -
2-PLC ±0.13		WEIGHT 2.1 g		
3-PLC ±0.013		CUSTOMER DRAWING	SCALE 2:1	SHEET 1 OF 1
4-PLC ±0.000J			REV A2	
ANGLES ±3'00"				
MATERIAL PBT	FINISH SEE TABLE			

单击下面可查看定价，库存，交付和生命周期等信息

[>>TE Connectivity\(泰科\)](#)