

LOC		DIST		REVISIONS			
P	LTR	DESCRIPTION	DATE	DMN	APVD		
B		REVISED PER ECO-11-001829	31JAN11	HMR	MW		

SPECIFICATIONS:

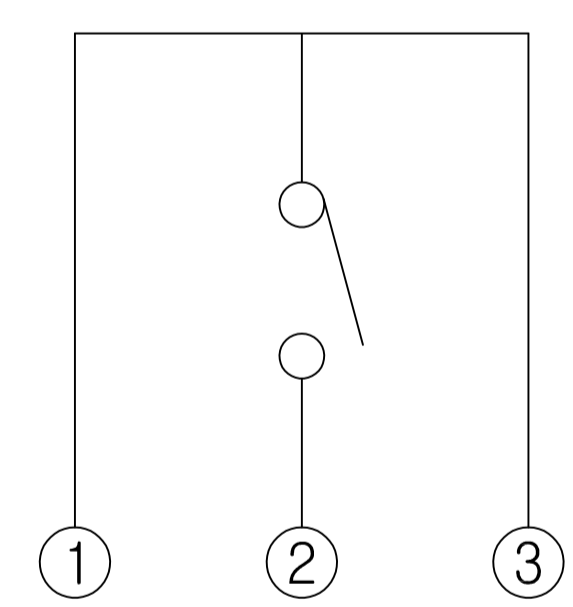
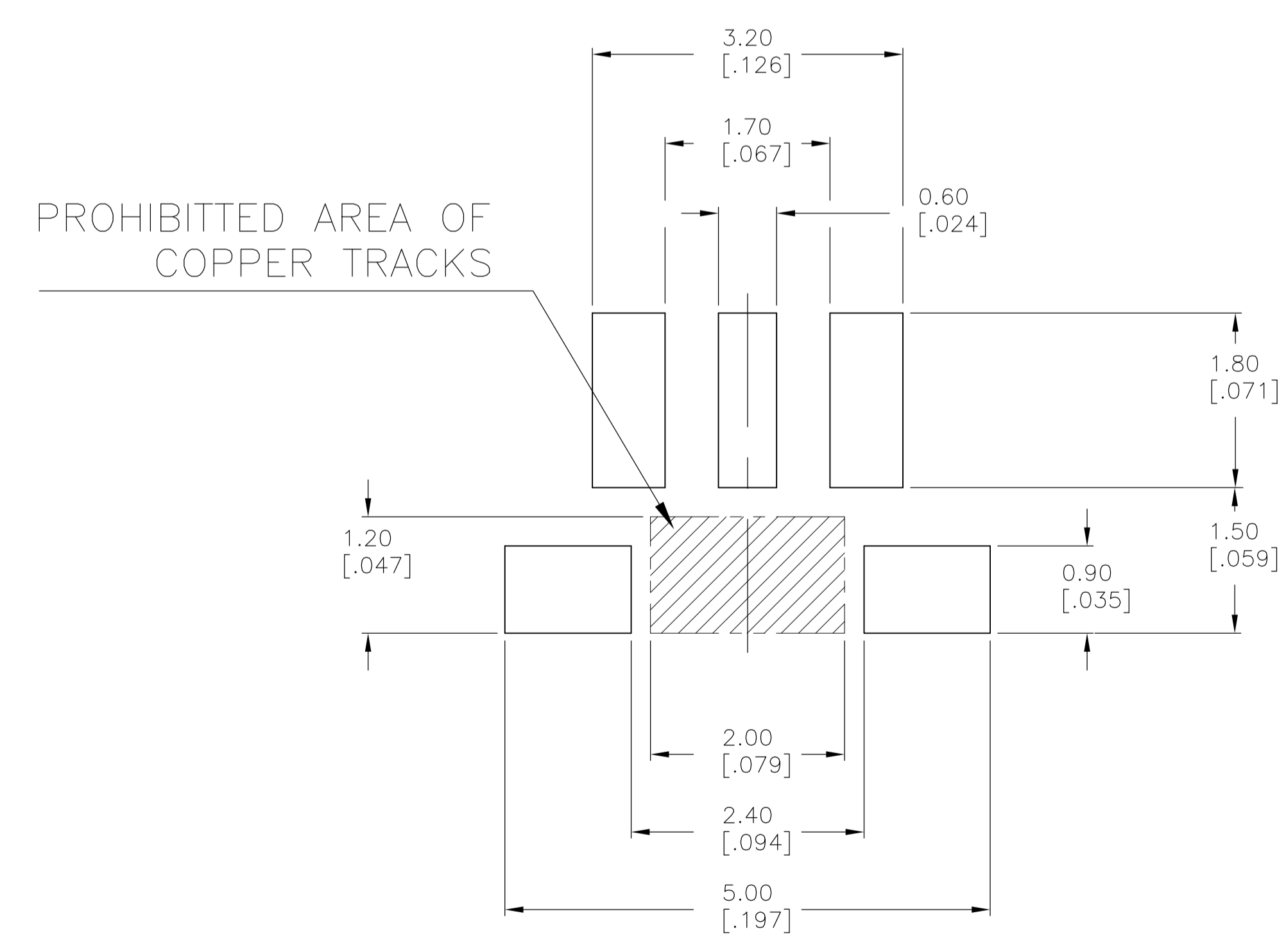
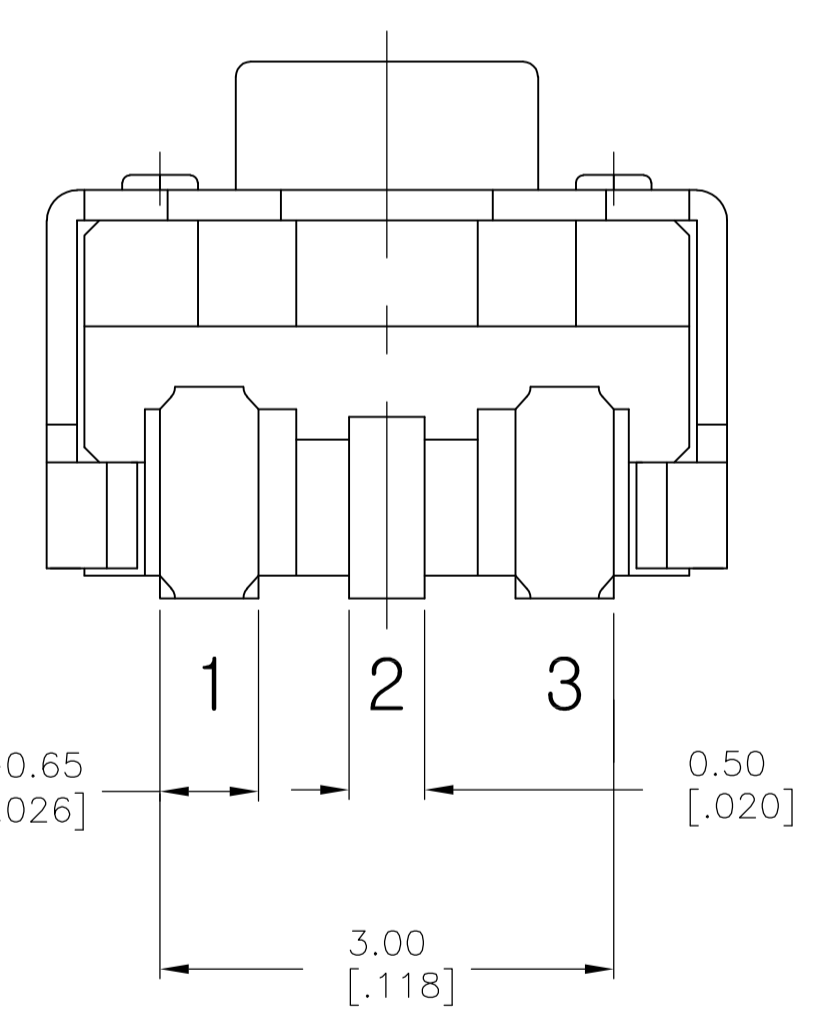
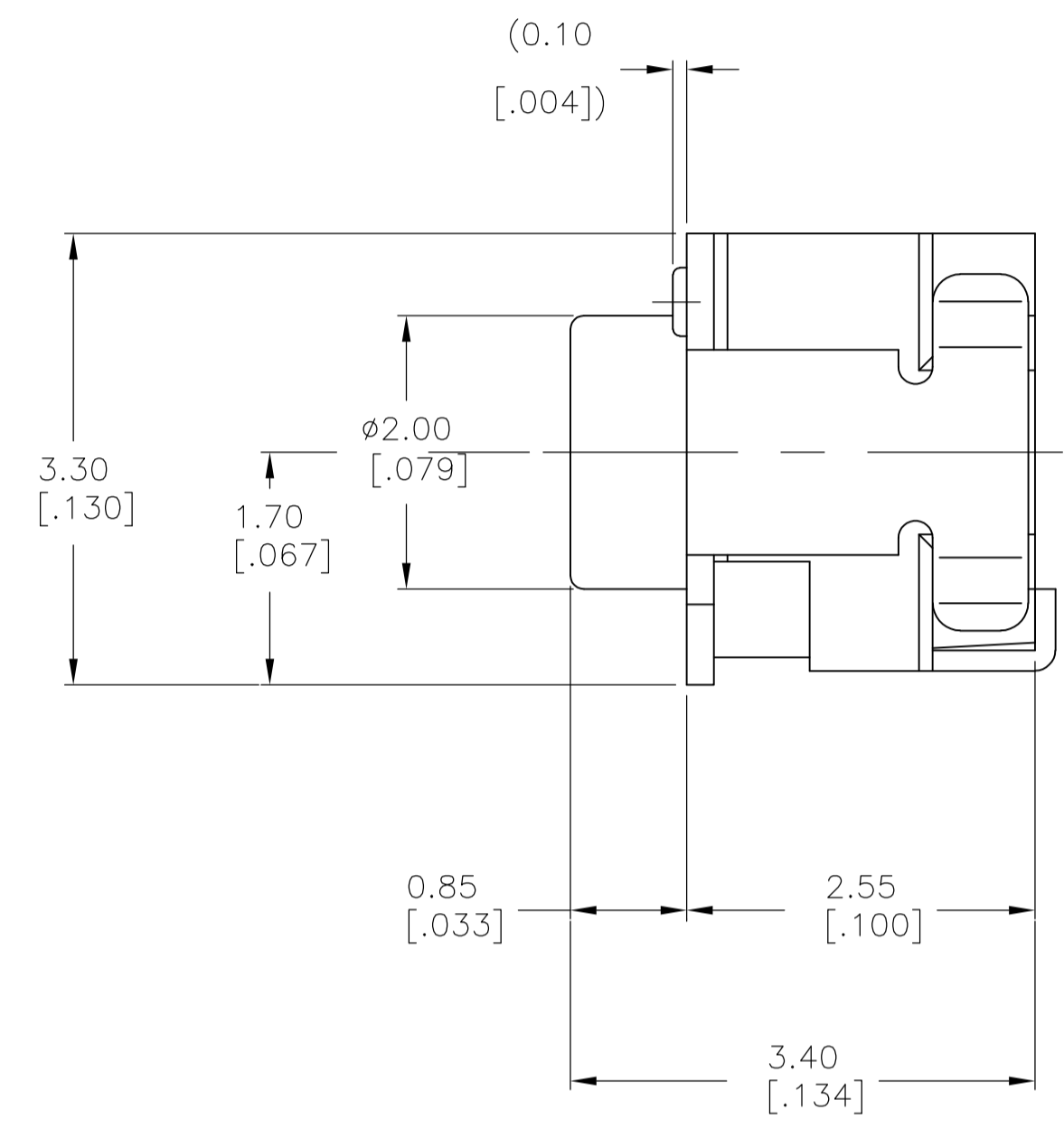
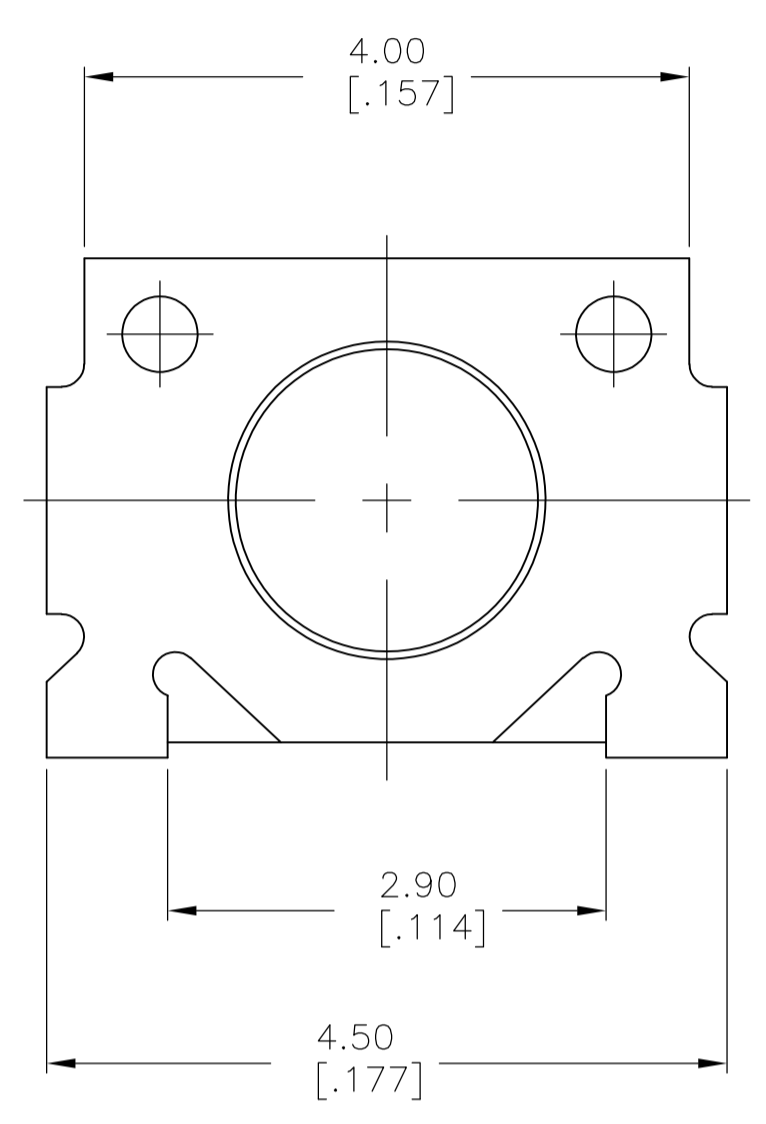
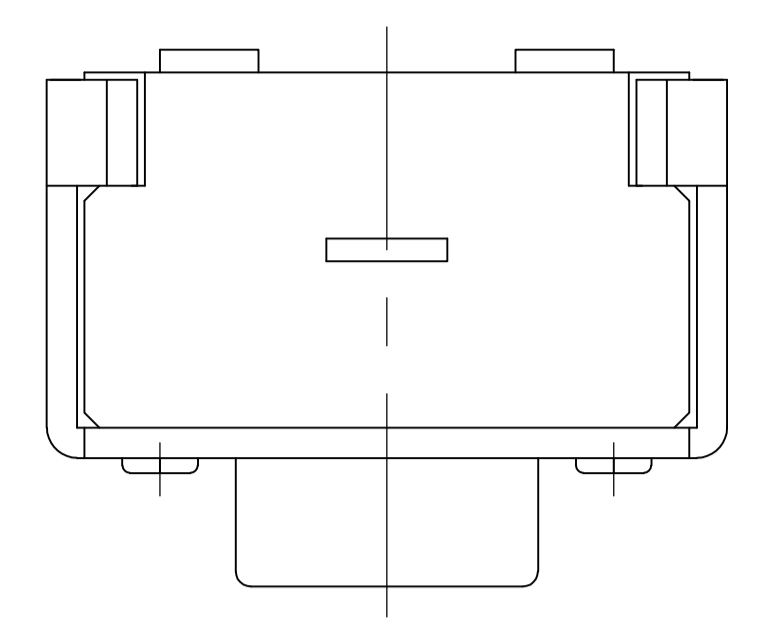
MATERIALS: CASE, PPA UL94V-0, BLACK FINISH  
 ACTUATOR, PPA UL94HB, IVORY FINISH  
 BRACKET, STEEL, TIN FINISH  
 MOVING CONTACT, STAINLESS STEEL, SILVER FINISH  
 FIXED CONTACT/TERMINAL, COPPER ALLOY, SILVER OVER NICKEL FINISH

ELECTRICAL:  
 MAX CONTACT RATING, 50MA@ 12VDC  
 MIN CONTACT RATING, 10MICROAMP@1V DC  
 INITIAL CONTACT RESISTANCE, 500 MILLIOHMS MAX  
 INSULATION RESISTANCE, 100 MEGOHM MIN  
 DIELECTRIC STRENGTH, 500 V AC FOR 1 MINUTE  
 CONTACT BOUNCE, LESS THAN 10 MILLISECOND  
 LIFE EXPECTANCY, 100,000 CYCLES

MECHANICAL:  
 ACTUATION FORCE, 160 +/-50GF  
 ACTUATION TRAVEL, .20 +/--.10 MM  
 LIFE EXPECTANCY, 100,000 CYCLES MIN

ENVIRONMENTAL:  
 OPERATING TEMPERATURE, -35 TO +85 DEGREES C  
 STORAGE TEMPERATURE, -35 TO +85 DEGREES C  
 THERMAL SHOCK, PER EIA-364-32C, -35 TO +85 DEGREES C  
 SOLDERABILITY, PER EIA-364-52, CLASS 2, CATEGORY 1, TEMP, 245 DEGREES C MAX, TIME, 2.5 SECONDS  
 MAX. 95% MINIMUM COVERAGE  
 RESISTANCE TO SOLDER HEAT, PER 109-201, CONDITION B  
 1.NO CHANGE IN INITIAL ELECTRICAL AND MECHANICAL CHARACTERISTICS

1 ALL MATERIALS AND FINISHES SHALL COMPLY WITH EU DIRECTIVE 2002/95/EC OF 27JAN2003 (ROHS)



CIRCUIT DIAGRAM

1977067-1  
 PART NUMBER

THIS DRAWING IS A CONTROLLED DOCUMENT.		DIN	M. BINNER	08MAR2007	Tyco Electronics Corporation Harrisburg, PA 17105-3608	
DIMENSIONS: mm		CHK			NAME	
TOLERANCES UNLESS OTHERWISE SPECIFIED:		APVD			PRODUCT SPEC	
0. PLC ± -		APPLICATION SPEC			R/A TACT SWITCH SMT W/OUT LOCATING PEGS	
1. PLC ± -					SIZE	
2. PLC ± 0.30[.012]					CAGE CODE	
3. PLC ± -					DRAWING NO	
4. PLC ± -					RESTRICTED TO	
ANGLES ± -		WEIGHT			A1 00779	
MATERIAL		FINISH			C=1977067	
					CUSTOMER DRAWING	
					SCALE 20:1 SHEET 1 OF 1 REV B	

单击下面可查看定价，库存，交付和生命周期等信息

[>>TE Connectivity\(泰科\)](#)