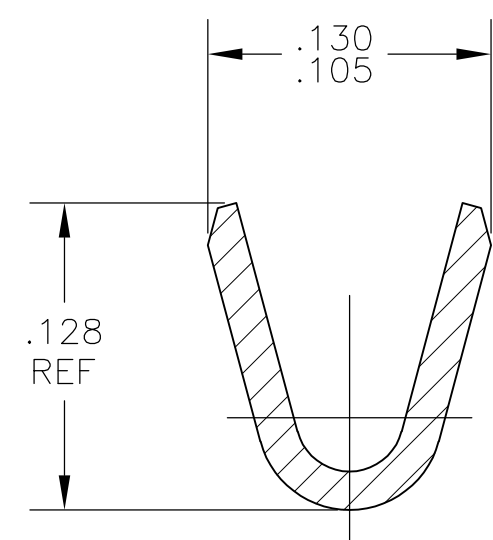
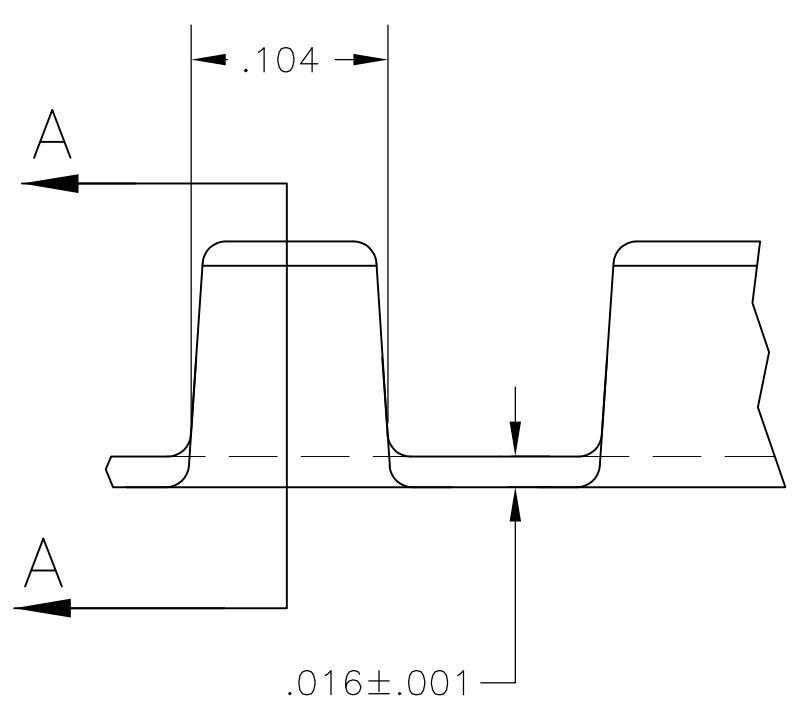
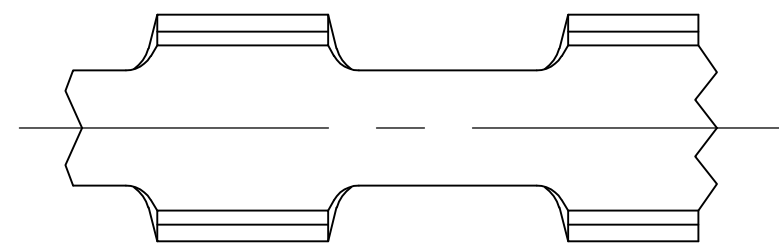


THIS DRAWING IS UNPUBLISHED. RELEASED FOR PUBLICATION
 © COPYRIGHT BY TYCO ELECTRONICS CORPORATION. ALL RIGHTS RESERVED.

LOC	DIST	REVISIONS					
AF	50	P	LTR	DESCRIPTION	DATE	DWN	APVD
			D	REVISED PER ECR-08-030838	30MAR09	HMR	GP

- 1 PRODUCT PROVIDED IN CONTINUOUS (BREAK FREE) STRIP FORM ON REELS.
- 2 WIRE RANGE: 1400 TO 2800 CMA



SECTION A-A

61008-1
PART NO

THIS DRAWING IS A CONTROLLED DOCUMENT.		DWN	RAGHAVENDRA	27FEB07	Tyco Electronics Corporation Harrisburg, Pa 17105-3608		
DIMENSIONS: INCHES		CHK	G.D.PORTA	27FEB07	NAME		
		APVD	G.D.PORTA	27FEB07	PRODUCT SPEC		
TOLERANCES UNLESS OTHERWISE SPECIFIED:		APPLICATION SPEC		114-2088			
0 PLC ± -		WEIGHT		-			
1 PLC ± -		SIZE		A3		CAGE CODE	00779
2 PLC ± -		DRAWING NO		G-61008		RESTRICTED TO	
3 PLC ± .010		CUSTOMER DRAWING		SCALE		10:1	
4 PLC ± -		MATERIAL		SHEET		1 OF 1	
ANGLES ± -		STEEL		REV		D	
FINISH		TIN					

单击下面可查看定价，库存，交付和生命周期等信息

[>>TE Connectivity\(泰科\)](#)