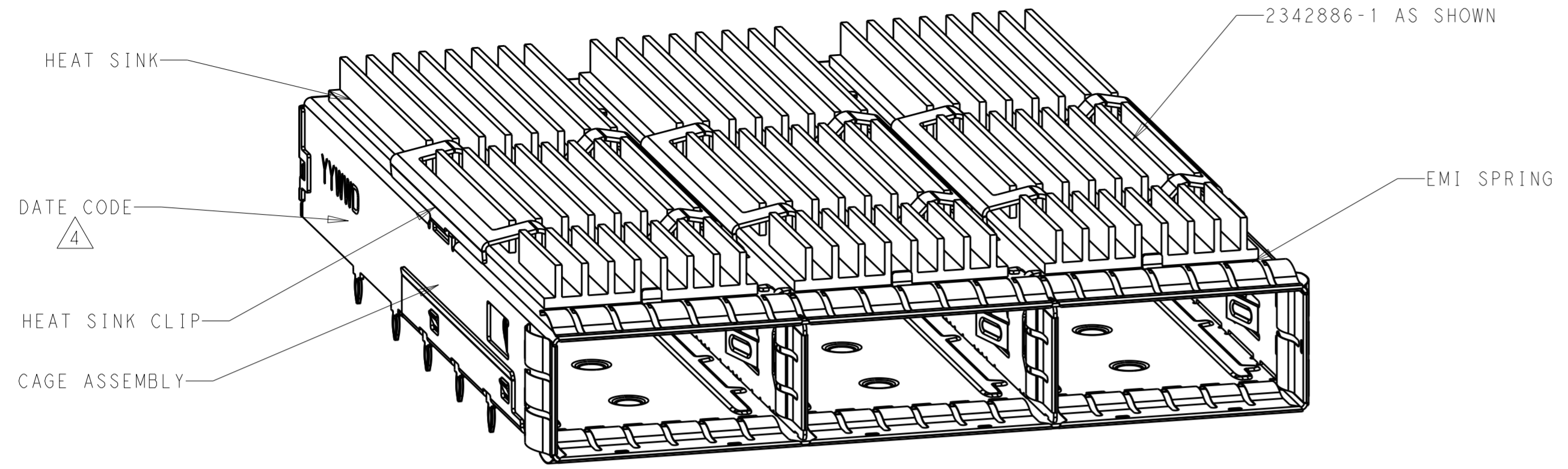
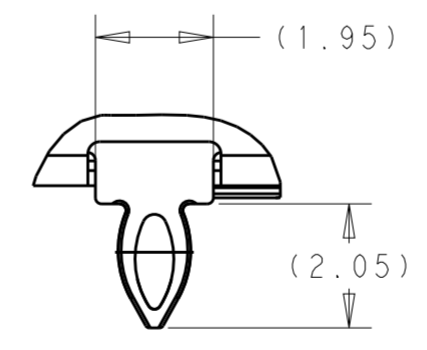
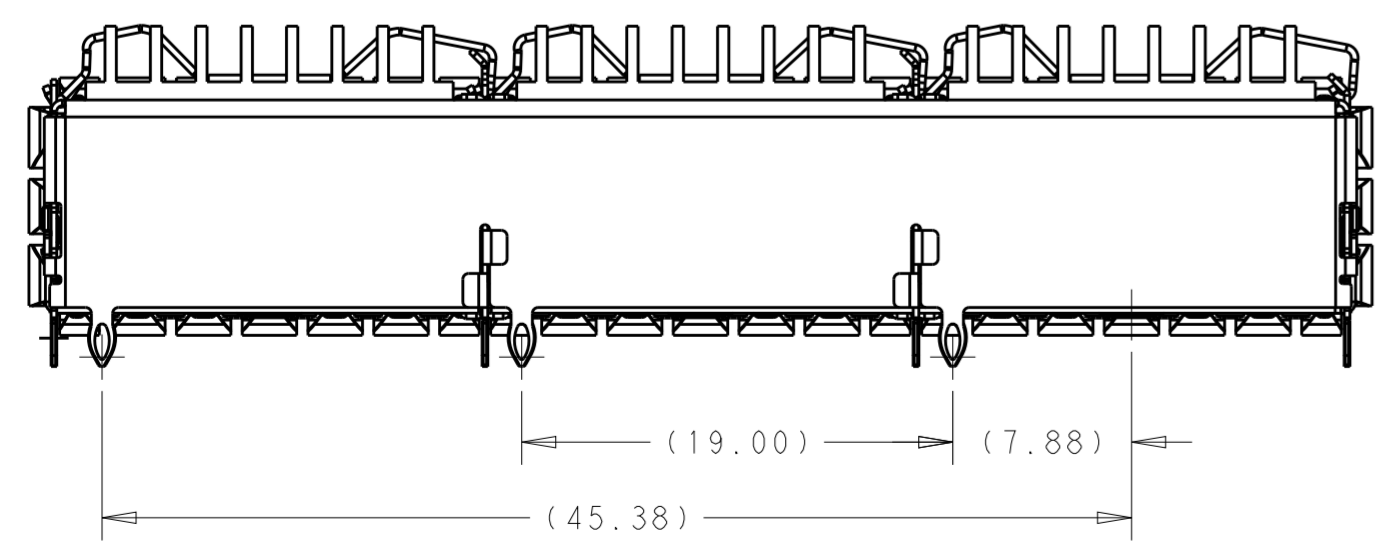
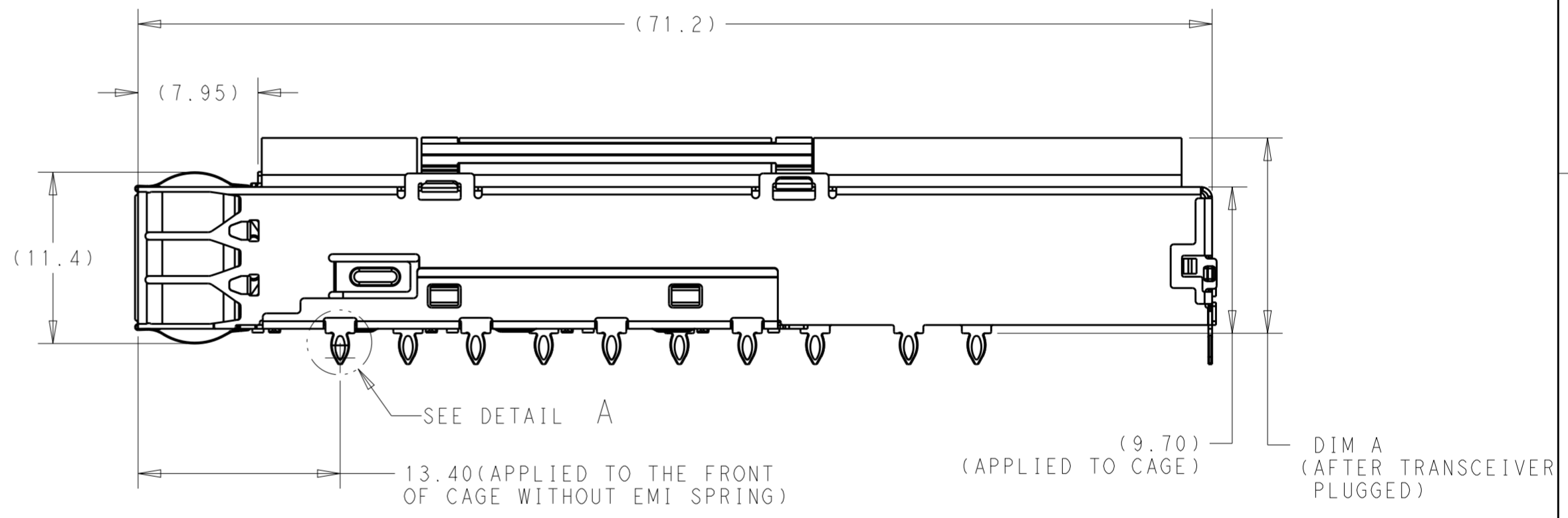
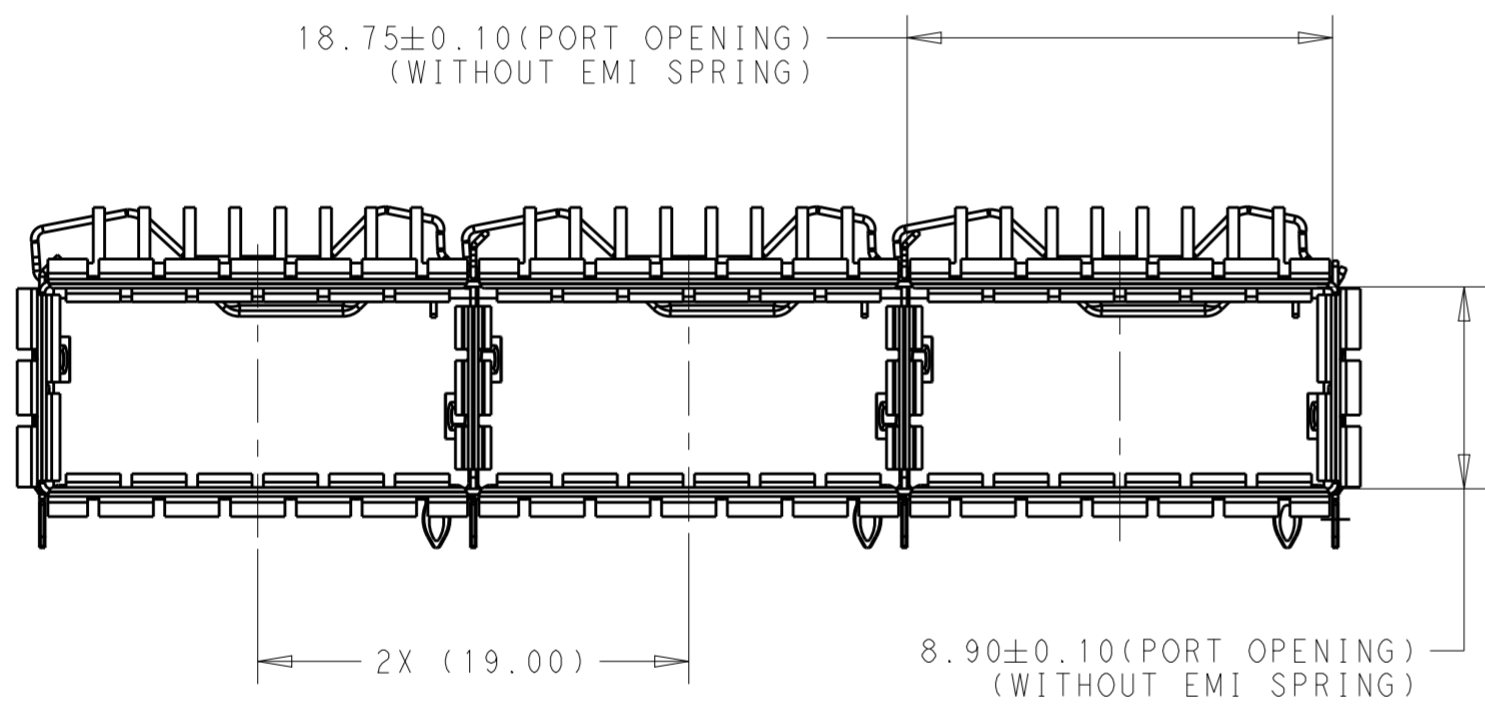


THIS DRAWING IS UNPUBLISHED. RELEASED FOR PUBLICATION 20
 © COPYRIGHT 20 BY - ALL RIGHTS RESERVED.

REVISIONS				
P	LTR	DESCRIPTION	DATE	APVD
1		INITIAL RELEASE	22AUG2018	SH SH
2		ADDED APPLICATION SPEC	18DEC2018	SH SH
A		INITIAL RELEASE	12JUN2019	SH SH



- 1 CAGE ASSEMBLY: STAINLESS STEEL
HEAT SINK: ALUMINUM/ANODIZED BLACK
HEAT SINK CLIP: STAINLESS STEEL
EMI SPRING: COPPER ALLOY/ NICKEL PLATED
- 2 REFERENCE APPLICATION SPECIFICATION 114-60025 FOR RECOMMENDED DRILL HOLE DIAMETER AND PLATING THICKNESS. BOARD LAYOUT PER THIS PRINT.
- 3 DATUM AND BASIC DIMENSION ESTABLISHED BY CUSTOMER
- 4 DATE CODE (YYWW) MARKED APPROXIMATELY AS SHOWN.
- 5. MATES WITH QSFP-DD MSA COMPATIBLE TRANSCEIVER.
- 6. MINIMUM PC BOARD THICKNESS:
SINGLE SIDED: 1.57 MIN
DOUBLE SIDED: 3.0 MIN



DETAIL A
SCALE 8:1

SCALE 3:1

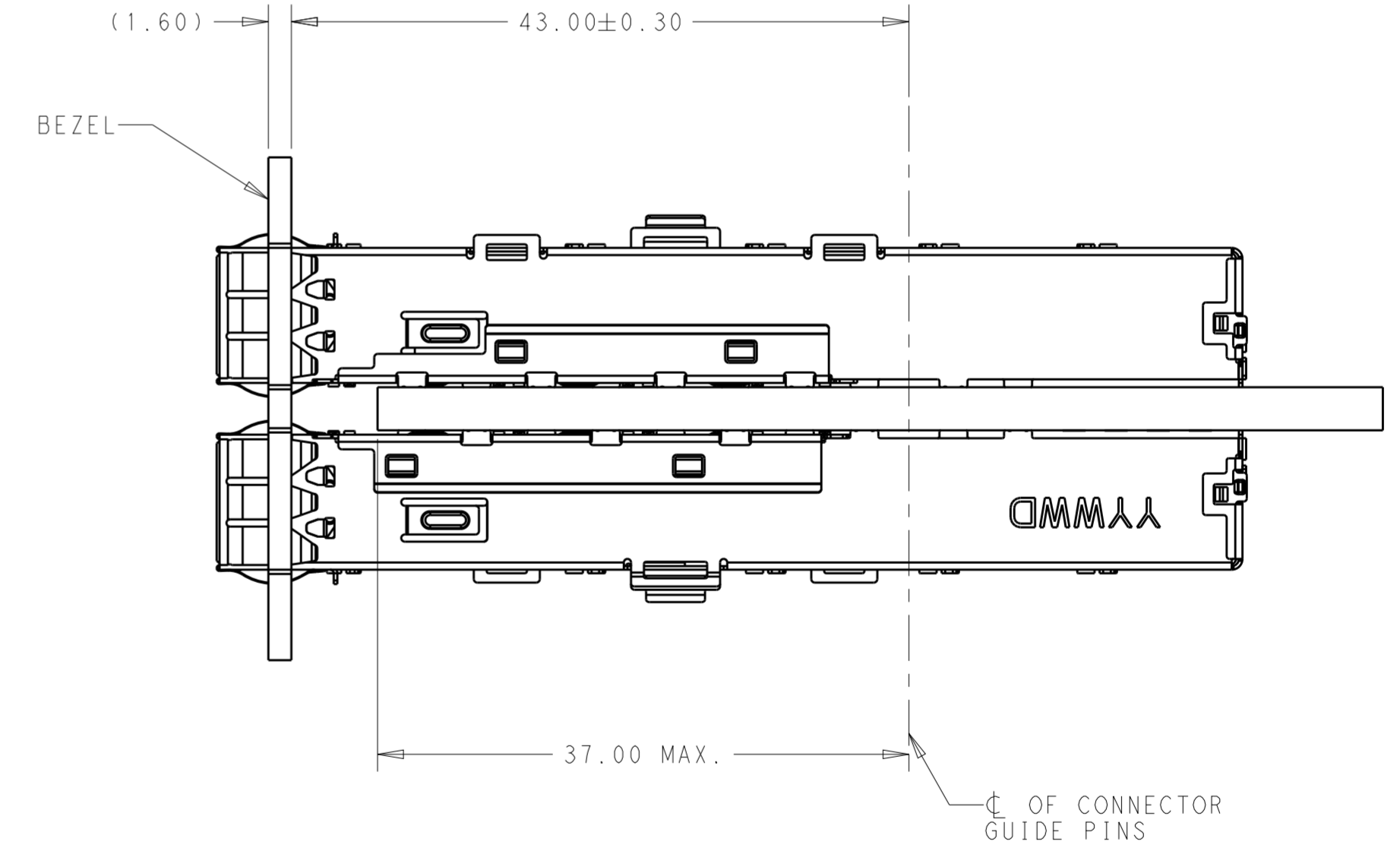
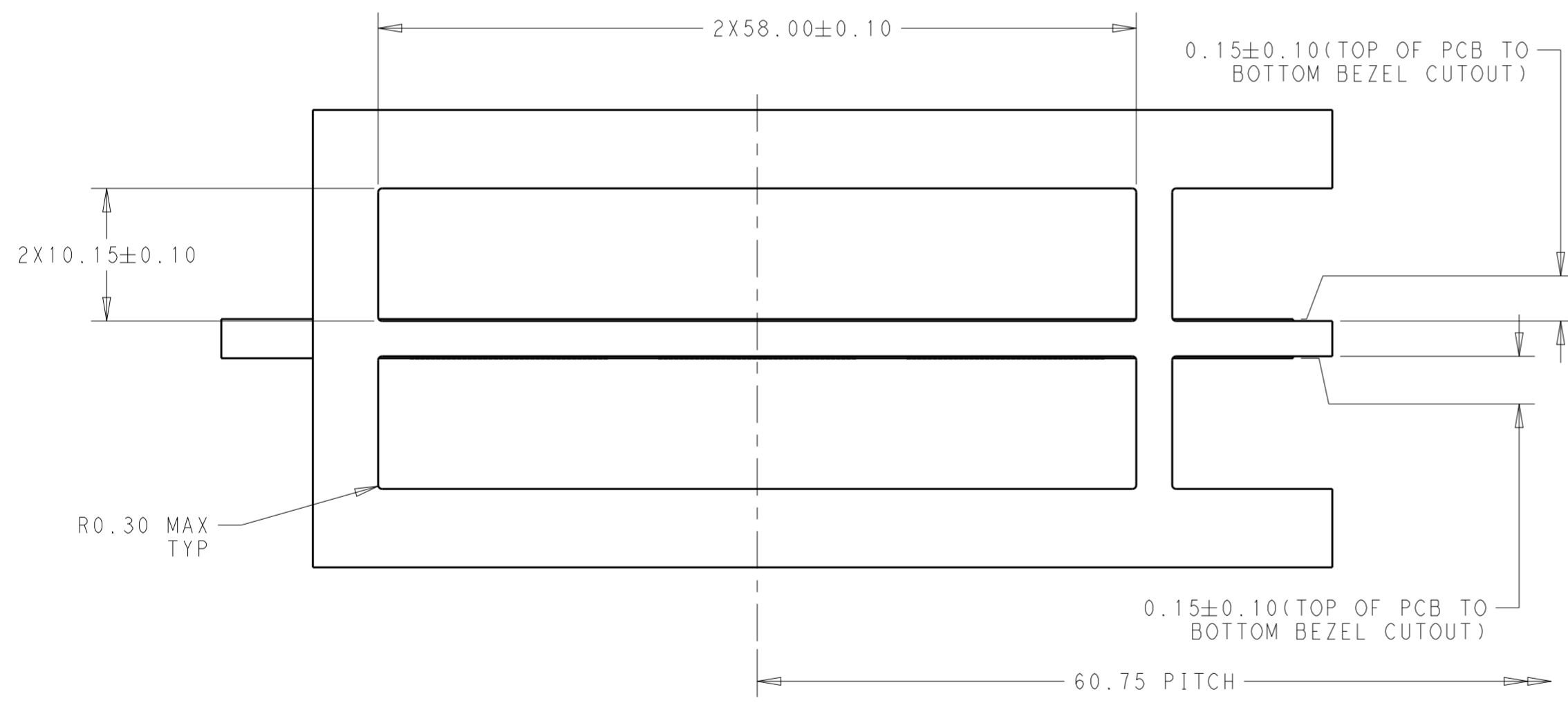
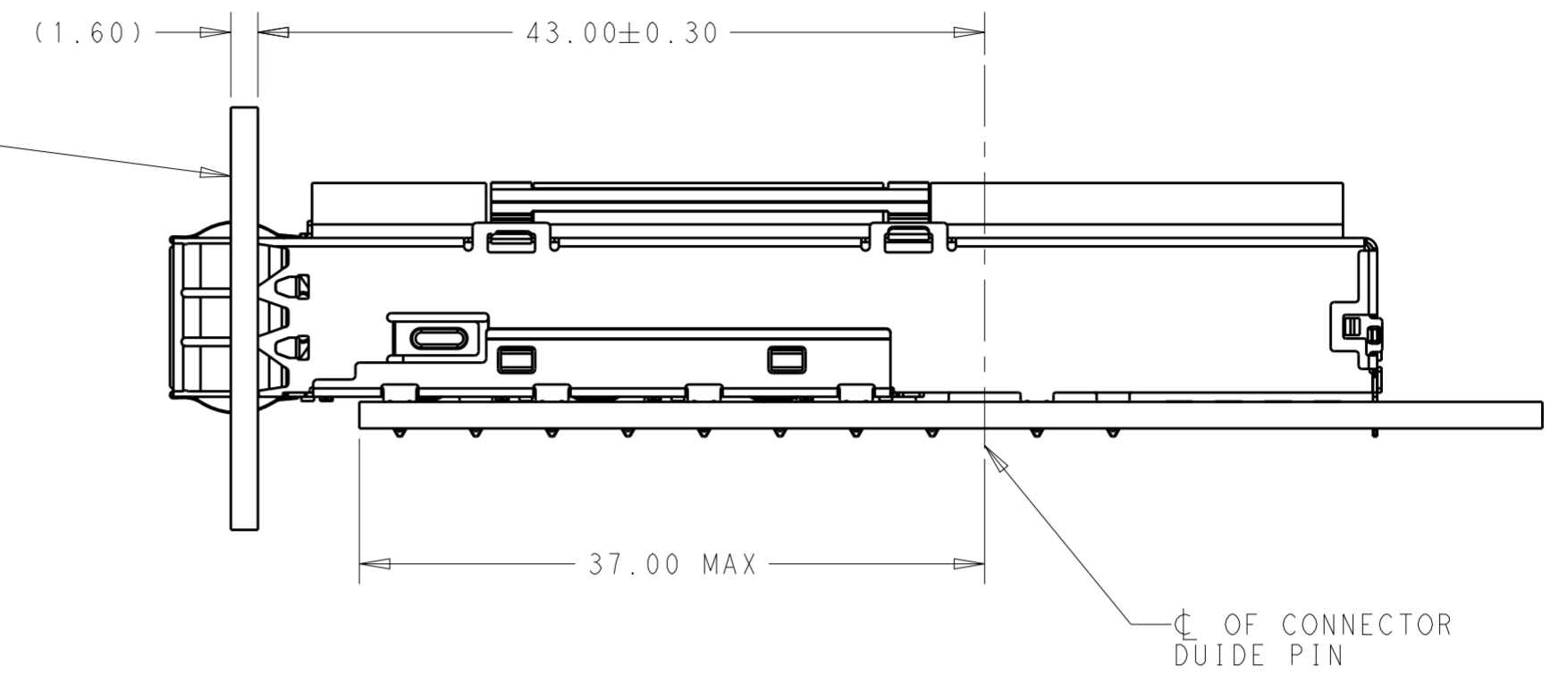
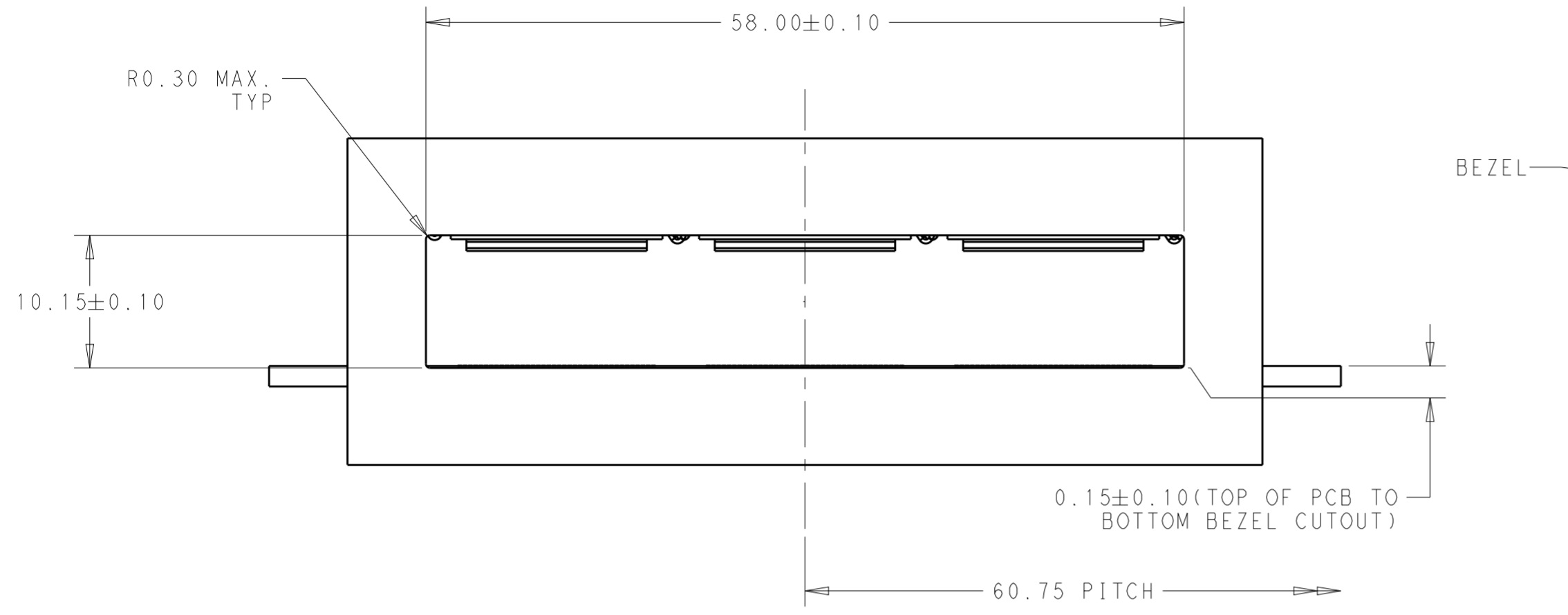
HS SPECIFICATION	DIM A	PART NUMBER	DESCRIPTION	ITEM
NET	23.00	2342886-3	CAGE ASSY WITH NET HS	3
SAN	16.00	2342886-2	CAGE ASSY WITH SAN HS	2
PCI	13.70	2342886-1	CAGE ASSY WITH PCI HS	1

THIS DRAWING IS A CONTROLLED DOCUMENT.

DWN: STEPHEN HE	22AUG2018	 TE Connectivity	NAME: CAGE ASSEMBLY WITH HEAT SINK FOR GM QSFP-DD, 1X3, EXTRUSION
CHK: SEAN HAN	05JUL2018		
APVD: SEAN HAN	22AUG2018		
DIMENSIONS: mm TOLERANCES UNLESS OTHERWISE SPECIFIED: 0 PLC ± 0.25 1 PLC ± 0.25 2 PLC ± 0.25 3 PLC ± - 4 PLC ± - ANGLES ± 1 FINISH -		PRODUCT SPEC: - APPLICATION SPEC: - WEIGHT: -	SIZE: A2 CAGE CODE: - DRAWING NO: 2342886 RESTRICTED TO: -
MATERIAL: -		CUSTOMER DRAWING	SCALE: 1:1 SHEET 1 OF 4 REV A

THIS DRAWING IS UNPUBLISHED. RELEASED FOR PUBLICATION 20
 © COPYRIGHT 20 BY - ALL RIGHTS RESERVED.

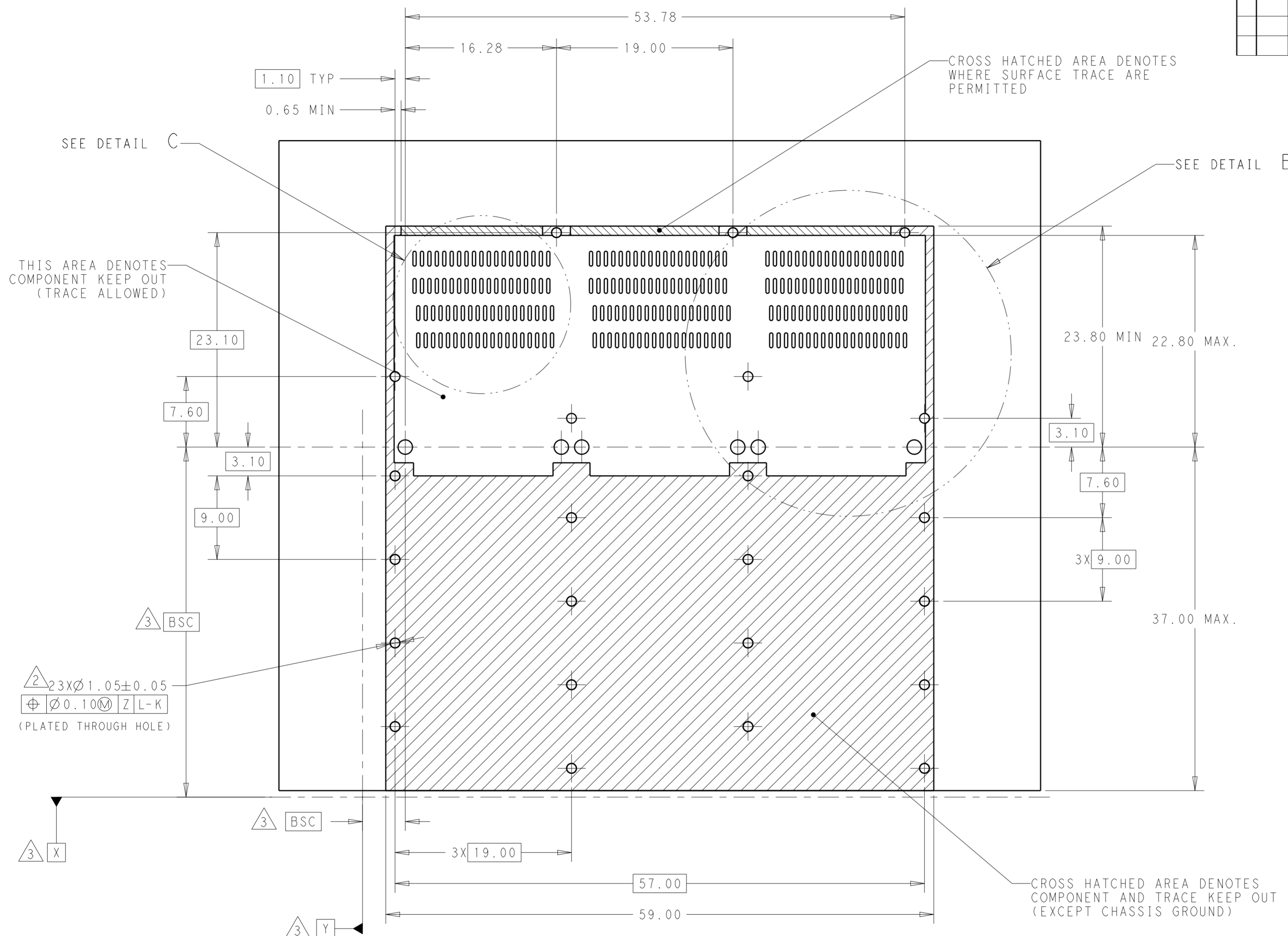
REVISIONS				
P	LTR	DESCRIPTION	DATE	APVD
-	-	SEE SHEET 1	-	-



THIS DRAWING IS A CONTROLLED DOCUMENT.		DWN STEPHEN HE 22AUG2018	TE Connectivity	
DIMENSIONS: mm		CHK SEAN HAN 05JUL2018		
TOLERANCES UNLESS OTHERWISE SPECIFIED:		APVD SEAN HAN 22AUG2018	NAME CAGE ASSEMBLY WITH HEAT SINK FOR GM QSFP-DD, 1X3, EXTRUSION	
0 PLC ± 0.25 1 PLC ± 0.25 2 PLC ± 0.25 3 PLC ± - 4 PLC ± - ANGLES ± 1 FINISH -		PRODUCT SPEC -	SIZE A2	CAGE CODE -
MATERIAL -		APPLICATION SPEC -	DRAWING NO 2342886	RESTRICTED TO -
-		WEIGHT -	SCALE 1:1	SHEET 2 OF 4
-		CUSTOMER DRAWING	REV A	

THIS DRAWING IS UNPUBLISHED. RELEASED FOR PUBLICATION 20
 © COPYRIGHT 20 BY - ALL RIGHTS RESERVED.

REVISIONS				
P	LTR	DESCRIPTION	DATE	APVD
-	-	SEE SHEET 1	-	-

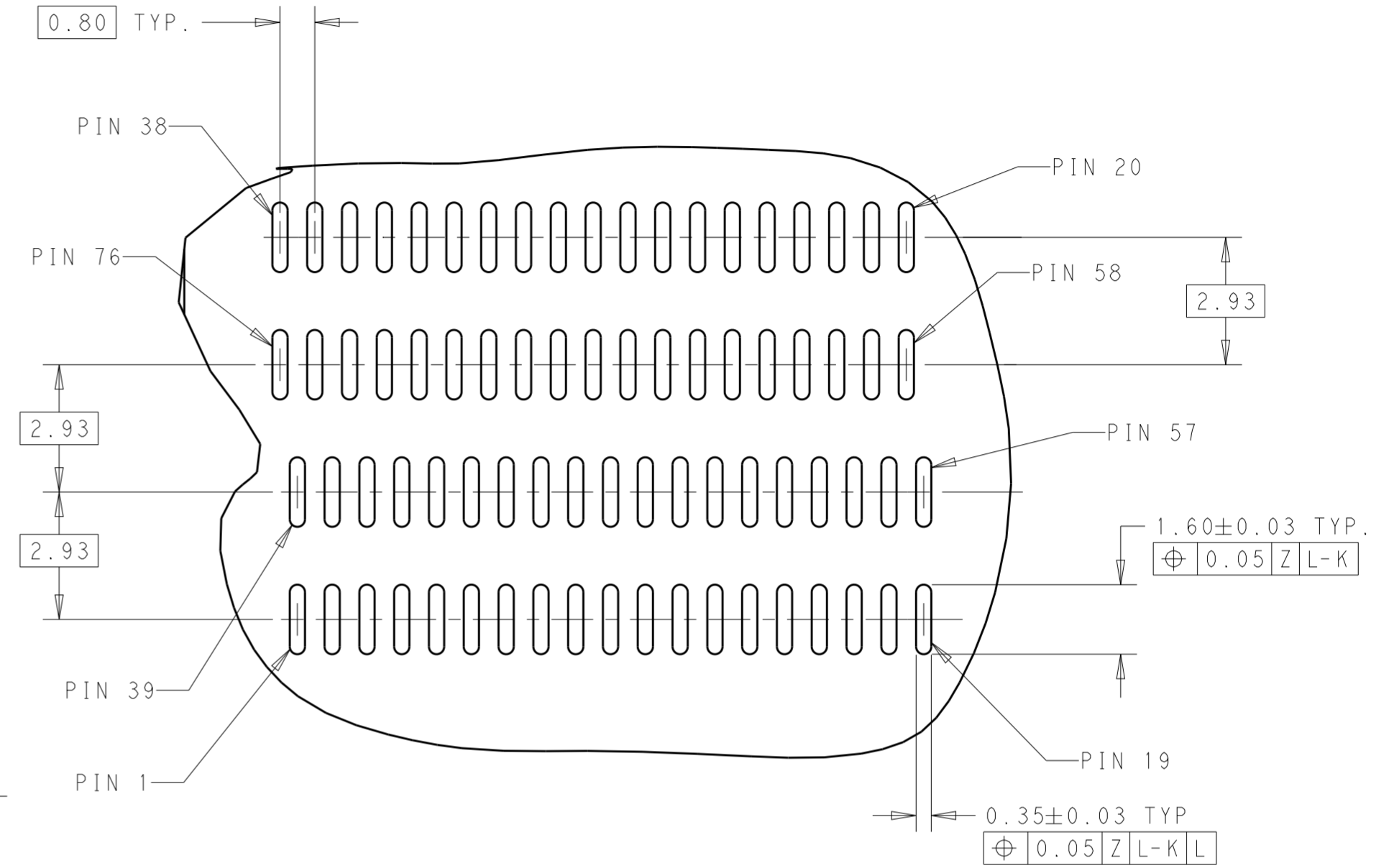
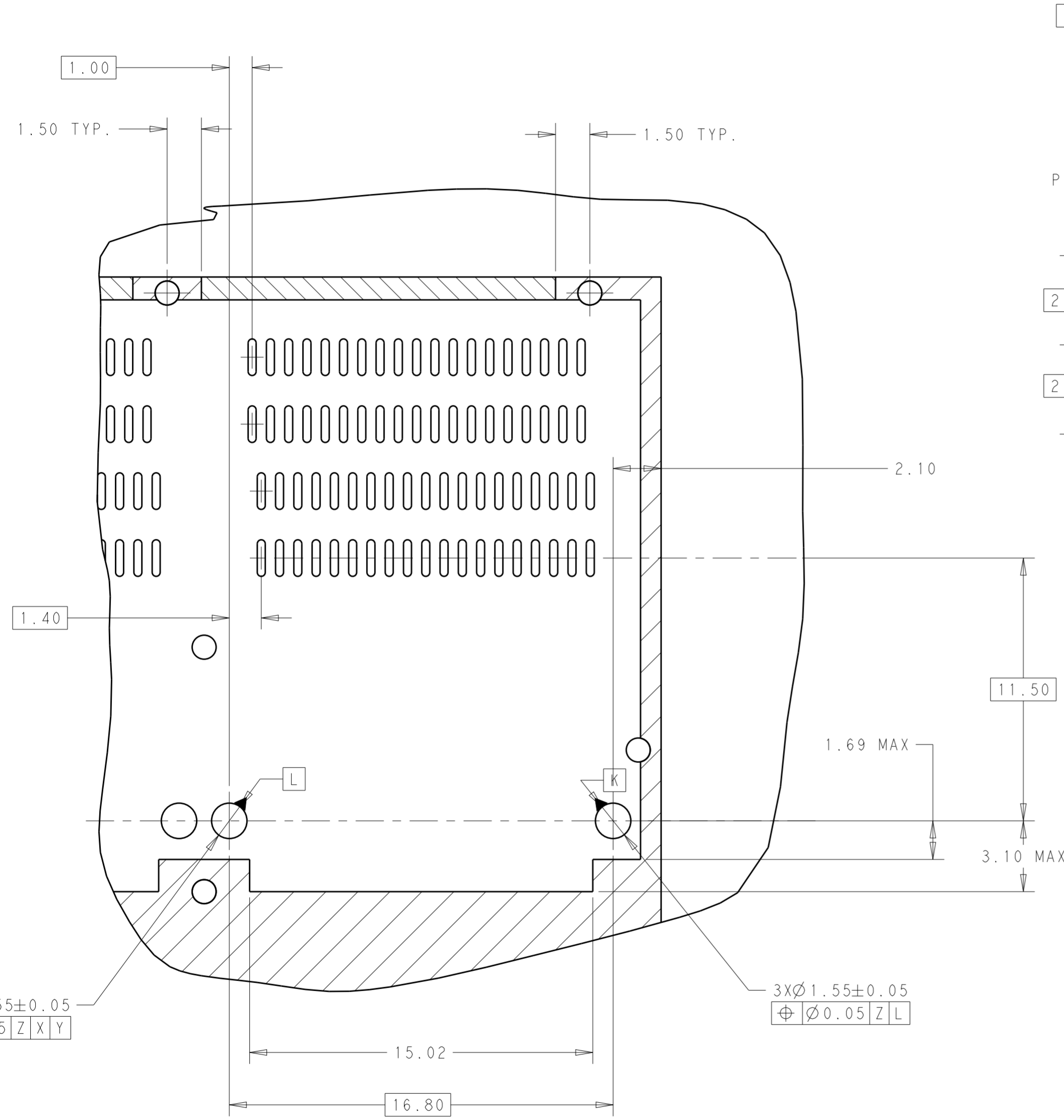


2 23XØ1.05±0.05
 Ø0.10 Z L-K
 (PLATED THROUGH HOLE)

THIS DRAWING IS A CONTROLLED DOCUMENT.		DWN 22AUG2018 STEPHEN HE	TE Connectivity
		CHK 05JUL2018 SEAN HAN	
		APVD 22AUG2018 SEAN HAN	NAME CAGE ASSEMBLY WITH HEAT SINK FOR GM QSFP-DD, 1X3, EXTRUSION
DIMENSIONS: mm 		PRODUCT SPEC	SIZE A2
TOLERANCES UNLESS OTHERWISE SPECIFIED: 0 PLC ± 0.25 1 PLC ± 0.25 2 PLC ± 0.25 3 PLC ± 4 PLC ± ANGLES ± 1 FINISH		APPLICATION SPEC	CAGE CODE G-2342886
MATERIAL		WEIGHT	DRAWING NO 2342886
		CUSTOMER DRAWING	RESTRICTED TO
		SCALE 1:1	SHEET 3 OF 4 REV A

THIS DRAWING IS UNPUBLISHED. RELEASED FOR PUBLICATION 20
 © COPYRIGHT 20 BY - ALL RIGHTS RESERVED.

REVISIONS				
P	LTR	DESCRIPTION	DATE	APVD
-	-	SEE SHEET 1	-	-



DETAIL C
SCALE 8:1

3XØ1.55±0.05
 ⊕ | Ø0.05 | Z | X | Y

3XØ1.55±0.05
 ⊕ | Ø0.05 | Z | L

DETAIL B
SCALE 6:1

THIS DRAWING IS A CONTROLLED DOCUMENT.		DWN 22AUG2018 STEPHEN HE	TE Connectivity	
DIMENSIONS: mm		CHK 05JUL2018 SEAN HAN		
TOLERANCES UNLESS OTHERWISE SPECIFIED:		APVD 22AUG2018 SEAN HAN	NAME CAGE ASSEMBLY WITH HEAT SINK FOR GM QSFP-DD, 1X3, EXTRUSION	
0 PLC ± 0.25	1 PLC ± 0.25	PRODUCT SPEC	SIZE A2	CAGE CODE -
2 PLC ± 0.25	3 PLC ± -	APPLICATION SPEC	DRAWING NO 2342886	RESTRICTED TO -
4 PLC ± -	ANGLES ± 1	WEIGHT	SCALE 1:1	SHEET 4 OF 4
MATERIAL	FINISH	CUSTOMER DRAWING	REV A	

单击下面可查看定价，库存，交付和生命周期等信息

[>>TE Connectivity\(泰科\)](#)