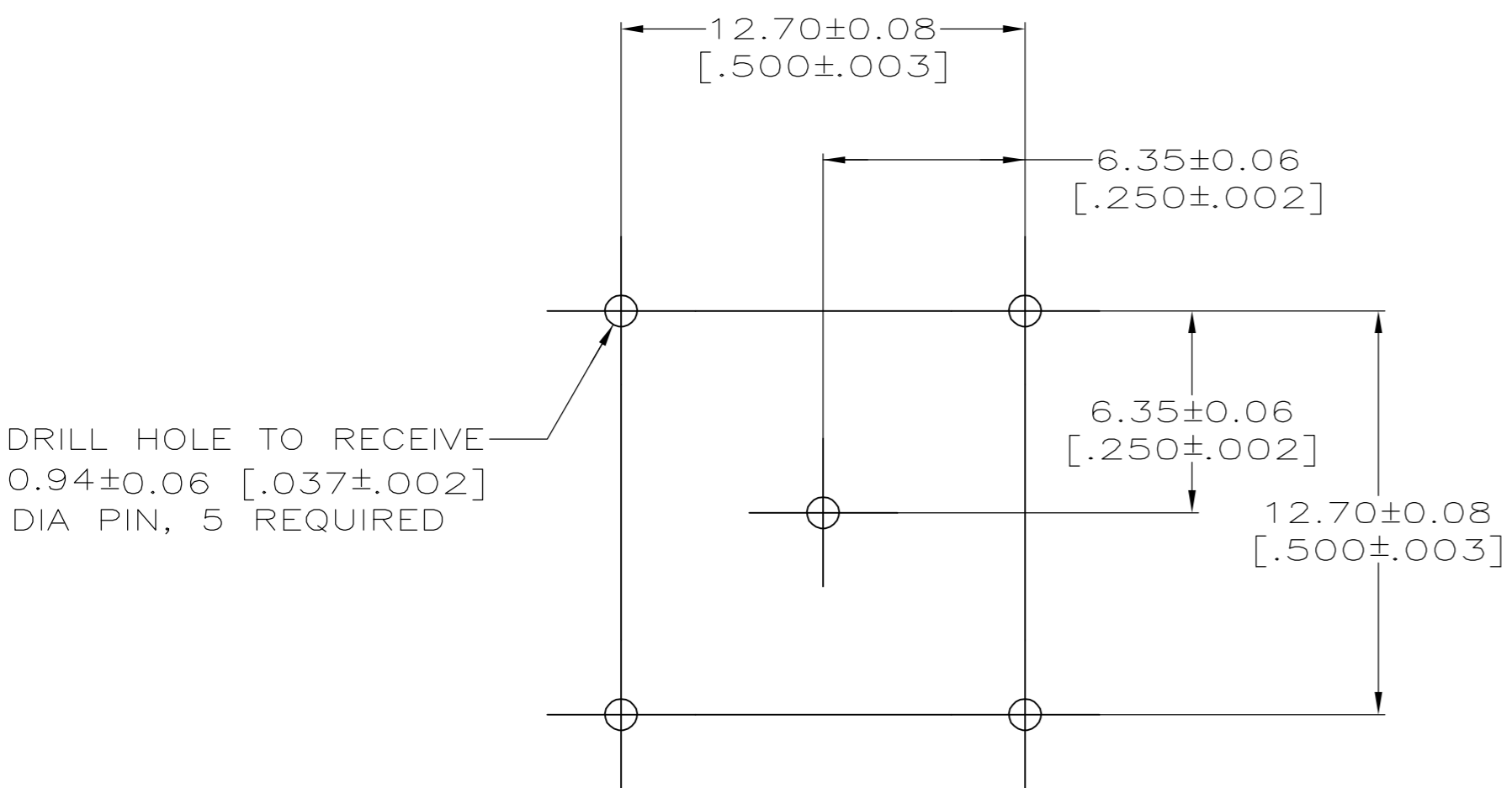
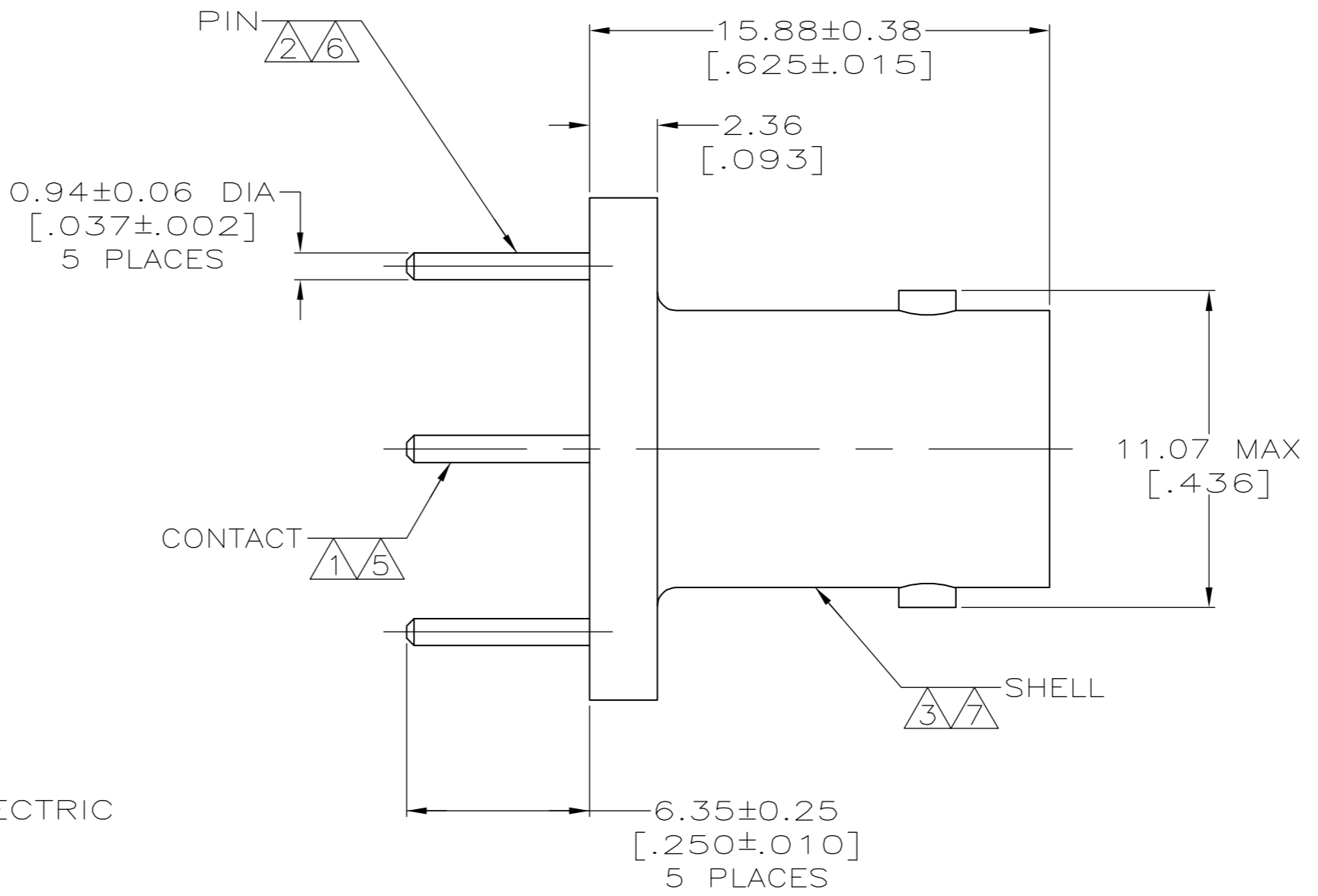
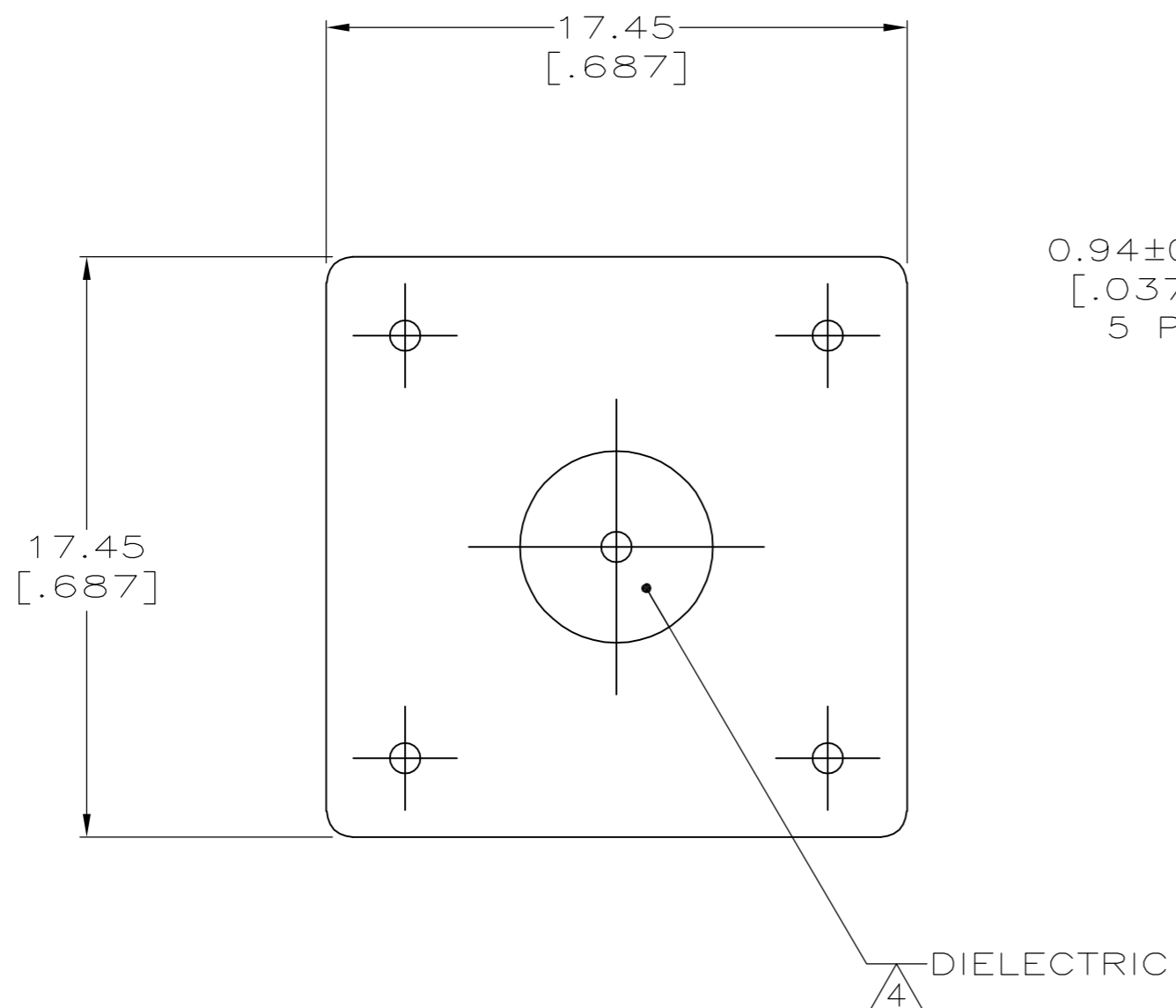


THIS DRAWING IS UNPUBLISHED. RELEASED FOR PUBLICATION
 © COPYRIGHT BY TYCO ELECTRONICS CORPORATION. ALL RIGHTS RESERVED.

| LOC | DIST | REVISIONS | | | | | |
|-----|------|-----------|-----|-----------------------|---------|-----|------|
| | | P | LTR | DESCRIPTION | DATE | DWN | APVD |
| AJ | 16 | A | | REV PER ECO 06-002539 | 07APR06 | GB | JH |



SUGGESTED PCB CONFIGURATION

- ① BERYLLIUM COPPER PER ASTM-B-197.
- ② BRASS PER ASTM-B-16.
- ③ ZINC PER QQ-Z-363.
- ④ PTFE PER ASTM-D-1710.
- ⑤ SILVER PLATE PER QQ-S-365
2.54 μm [0.000100] MINIMUM THICK.
- ⑥ TIN PLATE PER ASTM-B-545
2.54 μm [0.000100] MINIMUM THICK.
- ⑦ NICKEL PLATE PER QQ-N-290
3.81 μm [0.000150] MINIMUM THICK.
- 8. SEE INSTRUCTION SHEET 408-9889.

5413986-1
PART NUMBER

| | | | | | |
|--|--|--|---|--------------------|-------------------------|
| THIS DRAWING IS A CONTROLLED DOCUMENT. | | DWN A. FERNANDEZ-DOCK5 22APR2005 | Tyco Electronics Corporation Harrisburg, PA 17105-3608 | | |
| DIMENSIONS: mm [INCHES] | | CHK J. HAVENER 22APR2005 | | | |
| TOLERANCES UNLESS OTHERWISE SPECIFIED: | | APVD J. LIPPERT 22APR2005 | NAME JACK, 75 OHM, VERTICAL, PCB, BNC | | |
| 0 PLC ± - 1 PLC ± - 2 PLC ± 0.20 [0.008] 3 PLC ± - 4 PLC ± - ANGLES ± - | | PRODUCT SPEC 108-12078 | SIZE A2 | CAGE CODE 00779 | DRAWING NO C=5413986 |
| MATERIAL SEE NOTES 1 - 4 | | FINISH SEE NOTES 5 - 7 | WEIGHT - | RESTRICTED TO - | |
| CUSTOMER DRAWING | | | SCALE 5:1 | SHEET 1 of 1 | REV A |

单击下面可查看定价，库存，交付和生命周期等信息

[>>TE Connectivity\(泰科\)](#)