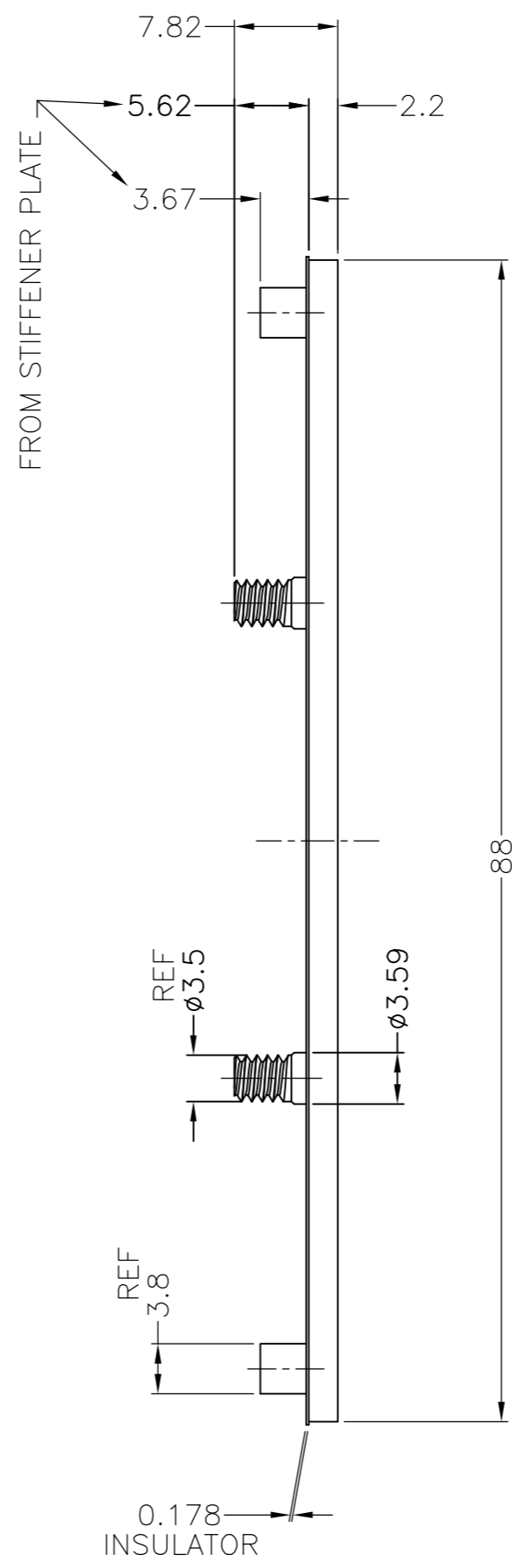
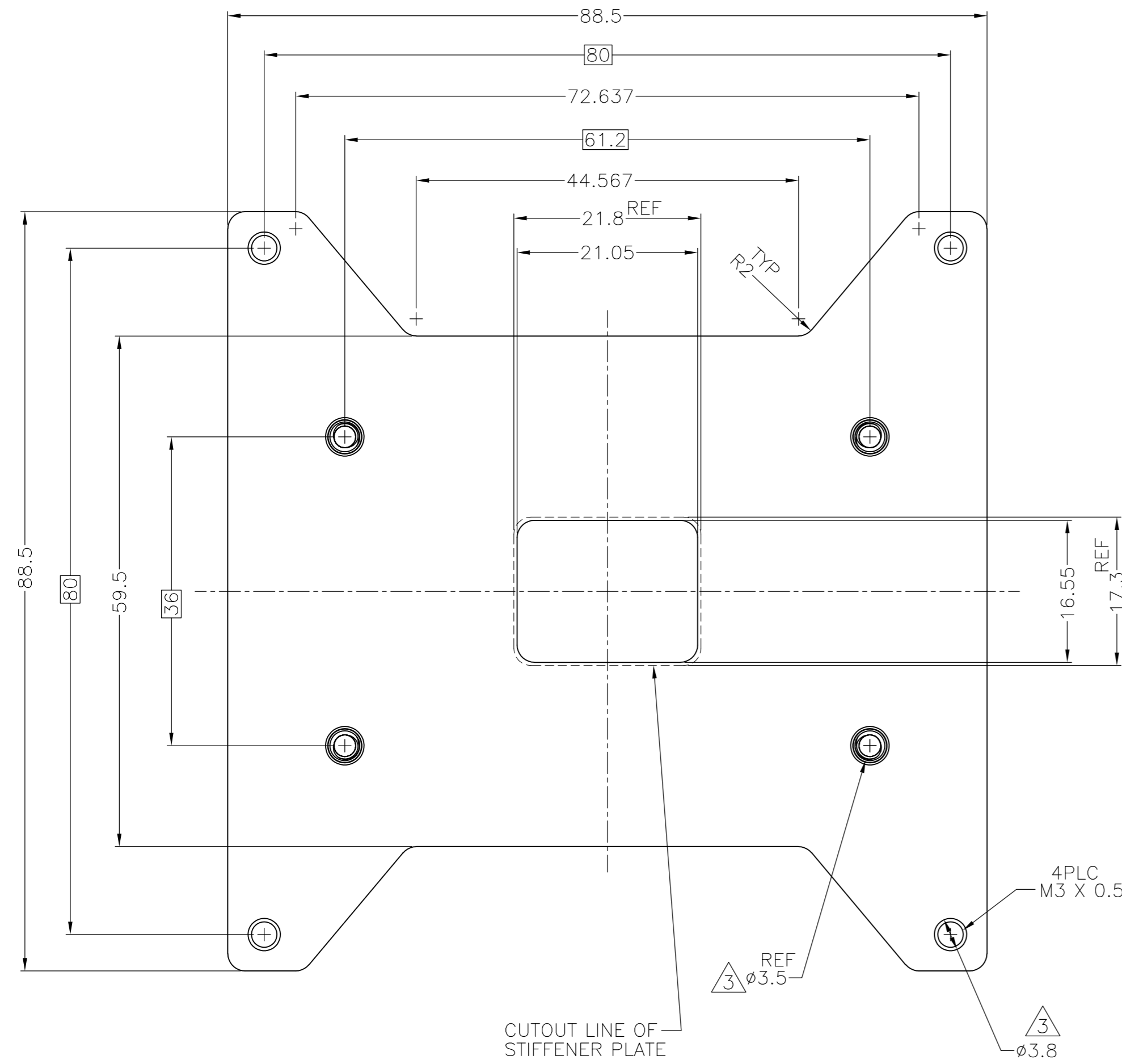
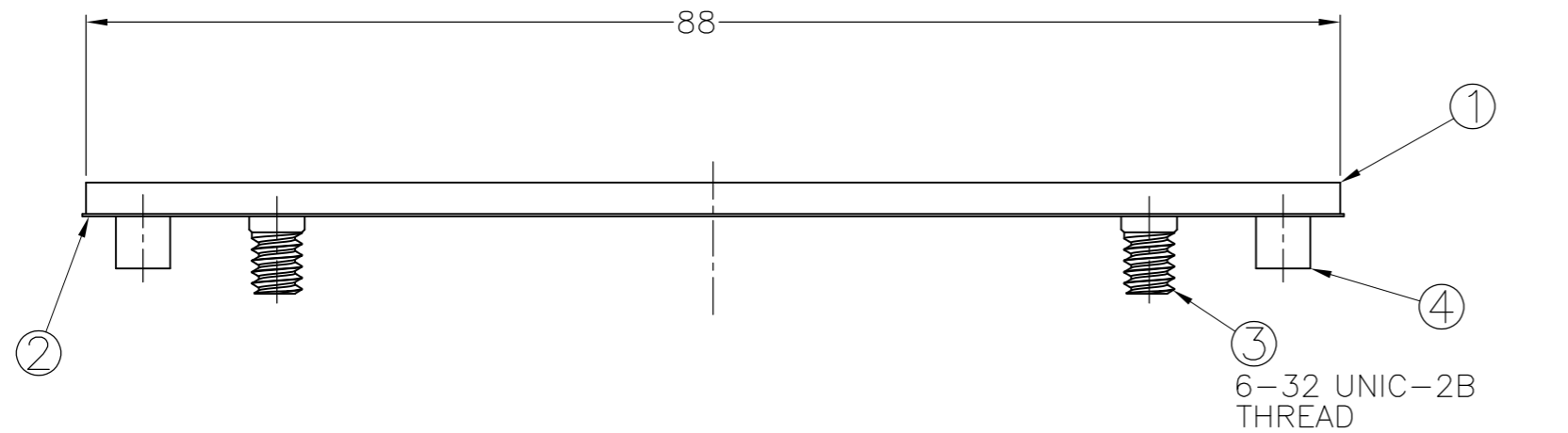
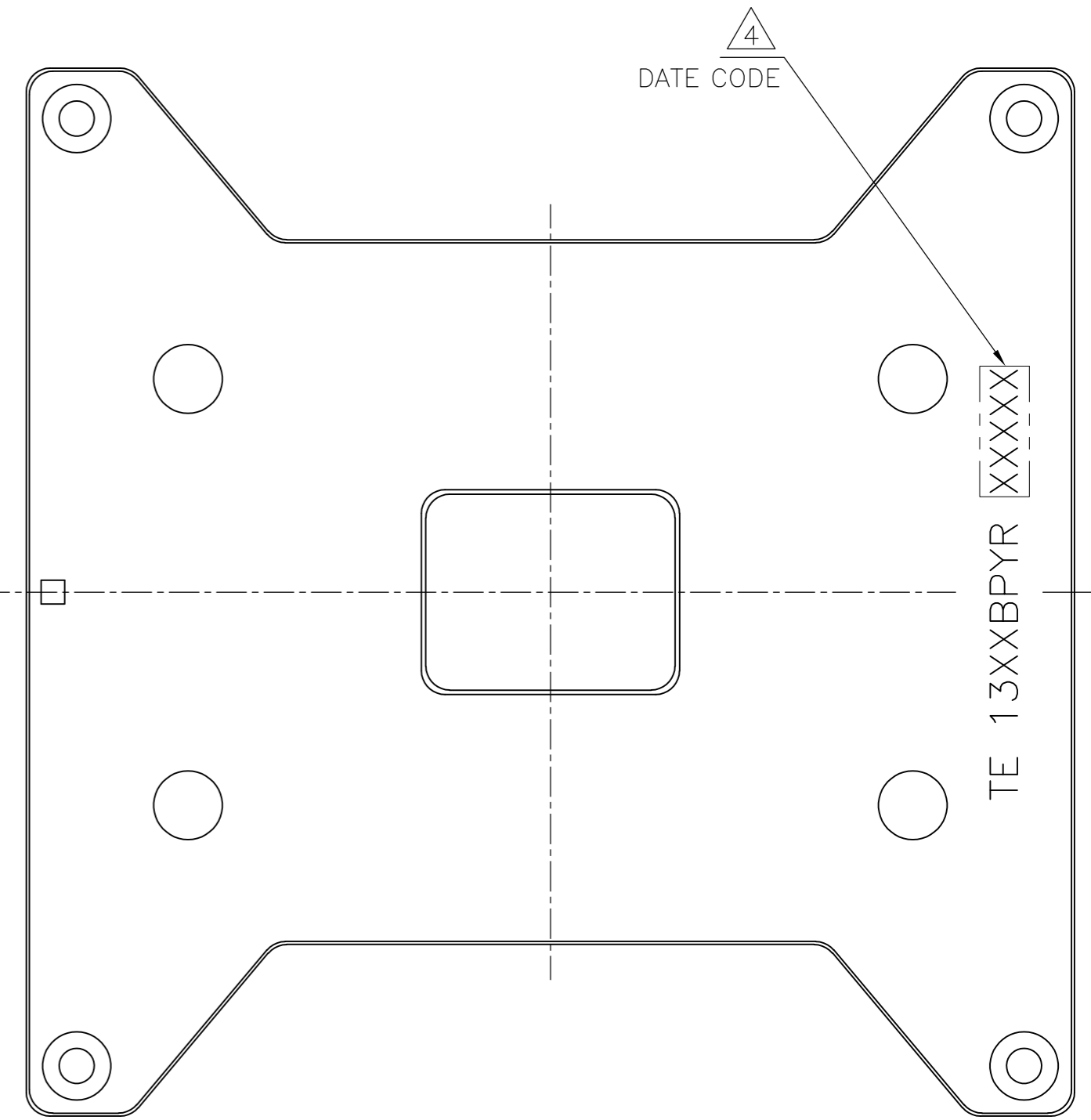


THIS DRAWING IS UNPUBLISHED. RELEASED FOR PUBLICATION
 © COPYRIGHT BY TYCO ELECTRONICS CORPORATION. ALL INTERNATIONAL RIGHTS RESERVED.

LOC	DIST	REVISONS			DATE	DWN	APVD
		P	LTR	DESCRIPTION			
-	-	H	REVISED		27SEP'10	S.A	S.H



- MATERIAL
 - ① STIFFENER PLATE: STEEL
FINISH: NICKEL PLATING
 - ② INSULATOR: POLYCARBONATE FILM PLUS ACRYLIC ADHESIVE LAYER
 - ③ STUD BOLT: STEEL
FINISH: NICKEL PLATING
 - ④ FEMALE NUT: SUS
- ASSEMBLED WITH ILM ASSY (DRAWING NUMBER: 1939738)
 - ③ THE STUD BOLTS AND FEMALE NUTS SHALL BE ADAPTED TO PCB LAYOUT FOR SOCKET ASSY LGA1366 OR SOCKET ASSY LGA1356 (DRAWING NUMBER: 1981837 OR 1554116)
 - ④ INDICATED DATE CODE ON THE STIFFENER PLATE



1981467-1
PART NUMBER

THIS DRAWING IS A CONTROLLED DOCUMENT.		DWN H.TAGUCHI 22SEP2008	Tyco Electronics Corporation Kawasaki, Japan	
DIMENSIONS: 単位: 寸 mm		CHK S.HASHIMOTO 17DEC2007	NAME S.HASHIMOTO	
TOLERANCES UNLESS OTHERWISE SPECIFIED: 一般公差		APVD S.HASHIMOTO 17DEC2007	PRODUCT SPEC 製品規格	
0 PLC ±		APPLICATION SPEC 取付適用規格	SIZE A2	CAGE CODE 00779
1 PLC ± ±0.3		WEIGHT 104g	DRAWING NO C=1981467	RESTRICTED TO -
2 PLC ± ±3		CUSTOMER DRAWING		SCALE 尺度 2:1
3 PLC ±		SHEET 1 OF 1		REV H
4 PLC ±				
ANGLES 仕上				
MATERIAL 材料				

1981467-1 : AS SHOWN

单击下面可查看定价，库存，交付和生命周期等信息

[>>TE Connectivity\(泰科\)](#)