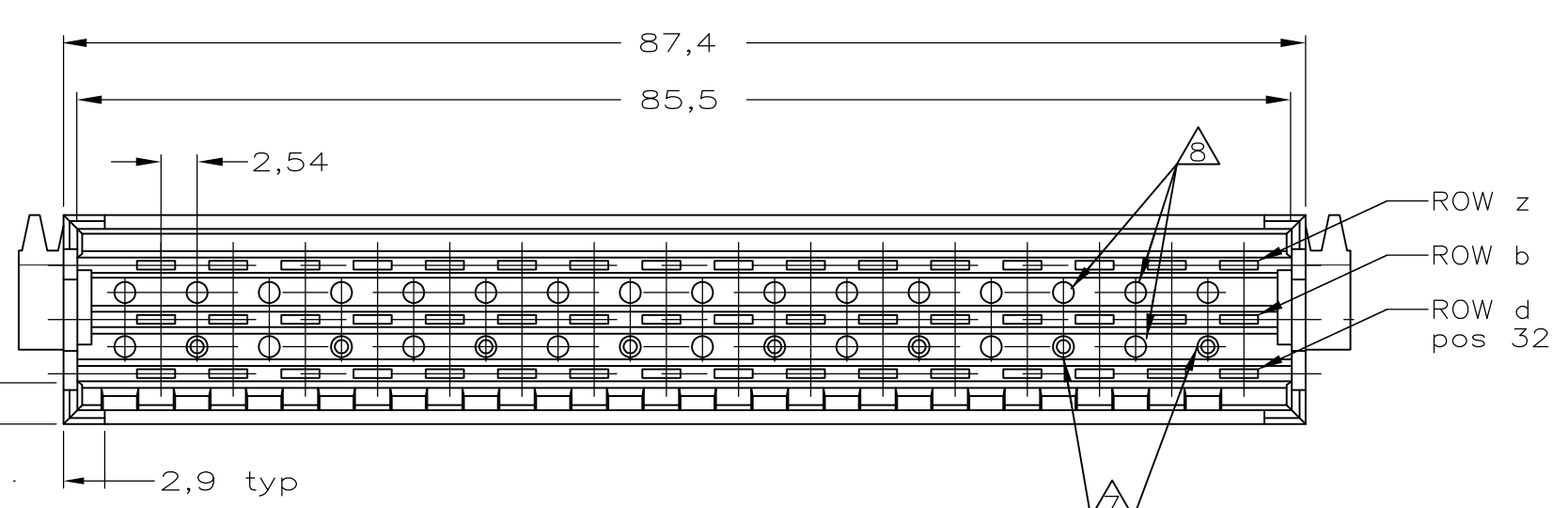
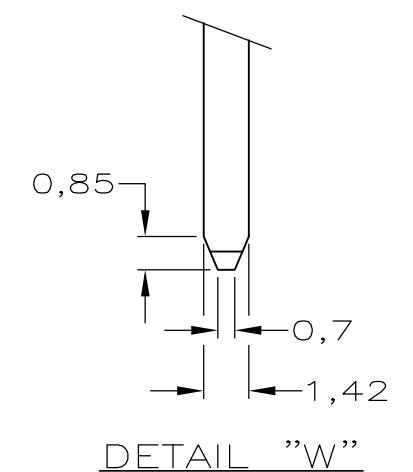
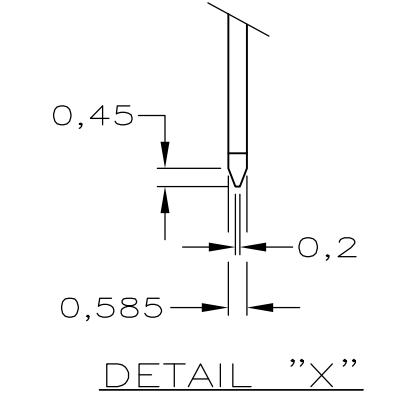
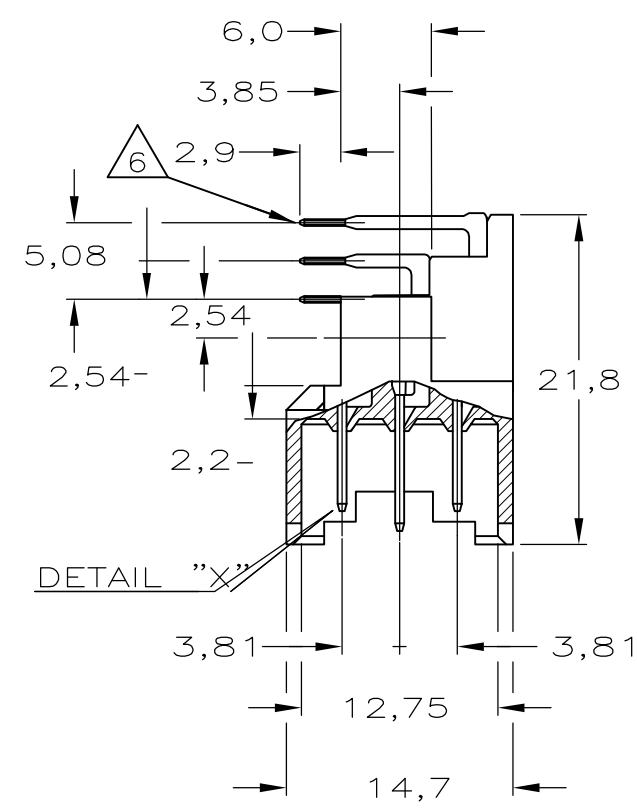
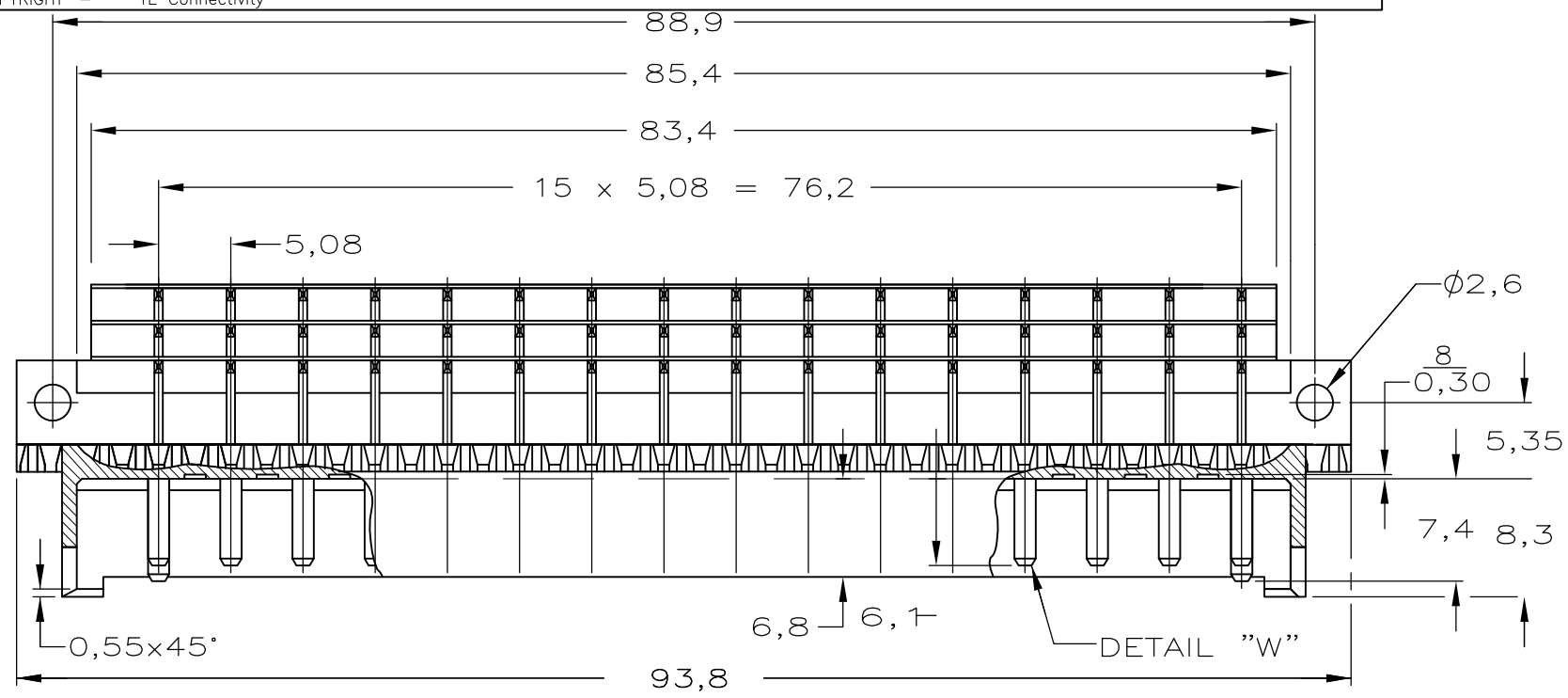


THIS DRAWING IS UNPUBLISHED. RELEASED FOR PUBLICATION
 © COPYRIGHT - TE Connectivity ALL RIGHTS RESERVED.

REVISIONS					
P	LTR	DESCRIPTION	DATE	DWN	APVD
	H	REVISED PER ECO-17-010024	13JUL2017	SY	SY



POS. NO	2	4	6	8	10	12	14	16	18	20	22	24	26	28	30	32
F 48 ROW	N	X	X	X	X	X	X	X	X	X	X	X	X	X	X	X
	D	⊗	X	X	X	X	X	X	X	X	X	X	X	X	X	⊗
	U	X	X	X	X	X	X	X	X	X	X	X	X	X	X	X

AN ASTERISK "X" DENOTES A STANDARD CONTACT.
 AN ASTERISK "⊗" DENOTES A FMLB CONTACT.

NOTES

- 1 MATERIAL:
 -HOUSING: THERMOPLASTIC POLYESTER, COLOR GREY.
 -CONTACTS: BRASS.
- 2 PLATING CONTACT: 1,25 μm Au OVER 1,25 μm Ni IN CONTACT AREA.
 Sn/Pb over 1,25 μm Ni ON SOLDER POST.
- 3 PLATING CONTACT: IEC 60603-2 PERFORMANCE LEVEL II OVER NICKEL IN CONTACT AREA,
 Sn over 1,25 μm Ni ON SOLDER POST.
- 4 PLATING CONTACT: 2,0 μm Au OVER 1,25 μm Ni IN CONTACT AREA.
 Sn/Pb over 1,25 μm Ni ON SOLDER POST.
- 5 PLATING CONTACT: 0,4 μm Au OVER 1,25 μm Ni IN CONTACT AREA.
 Sn/Pb over 1,25 μm Ni ON SOLDER POST.
- 6 SOLDER POSTS SUITABLE FOR P.C.B. HOLES
 0,8 ±0,05 OR 1,00,1 DIA.
- 7 8 HOLES SUITABLE FOR KEYING PIN PN. 215916-1.
- 8 KEYING HOLES TO BE DRILLED BY CUSTOMER.

2--8 OBSOLETE	SEE NOTE 5	SEE NOTE 1	2-167495-8
2--7 OBSOLETE	SEE NOTE 4		2-167495-7
	SEE NOTE 3		2-167495-4
2--1 OBSOLETE	SEE NOTE 2		2-167495-1
	FINISH	MATERIAL	PART NUMBER

THIS DRAWING IS A CONTROLLED DOCUMENT.		DWN R.v.Lokven 31.03.93	TE Connectivity	
DIMENSIONS: mm		CHK J.GIBBELS		
TOLERANCES UNLESS OTHERWISE SPECIFIED:		APVD -	48 POS. DIN 41612 F MALE	
0 PLC ± -		PRODUCT SPEC -	90	
1 PLC ± -		APPLICATION SPEC -	\$	
2 PLC ± -		SIZE	CAGE CODE	
3 PLC ± -		WEIGHT 0.000000	DRAWING NO	
4 PLC ± -		A3	00779	
ANGLES ± -		C-167495		
FINISH -		RESTRICTED TO -		
		CUSTOMER DRAWING		
		SCALE -	SHEET 1 OF 1	
		REV H		

单击下面可查看定价，库存，交付和生命周期等信息

[>>TE Connectivity\(泰科\)](#)