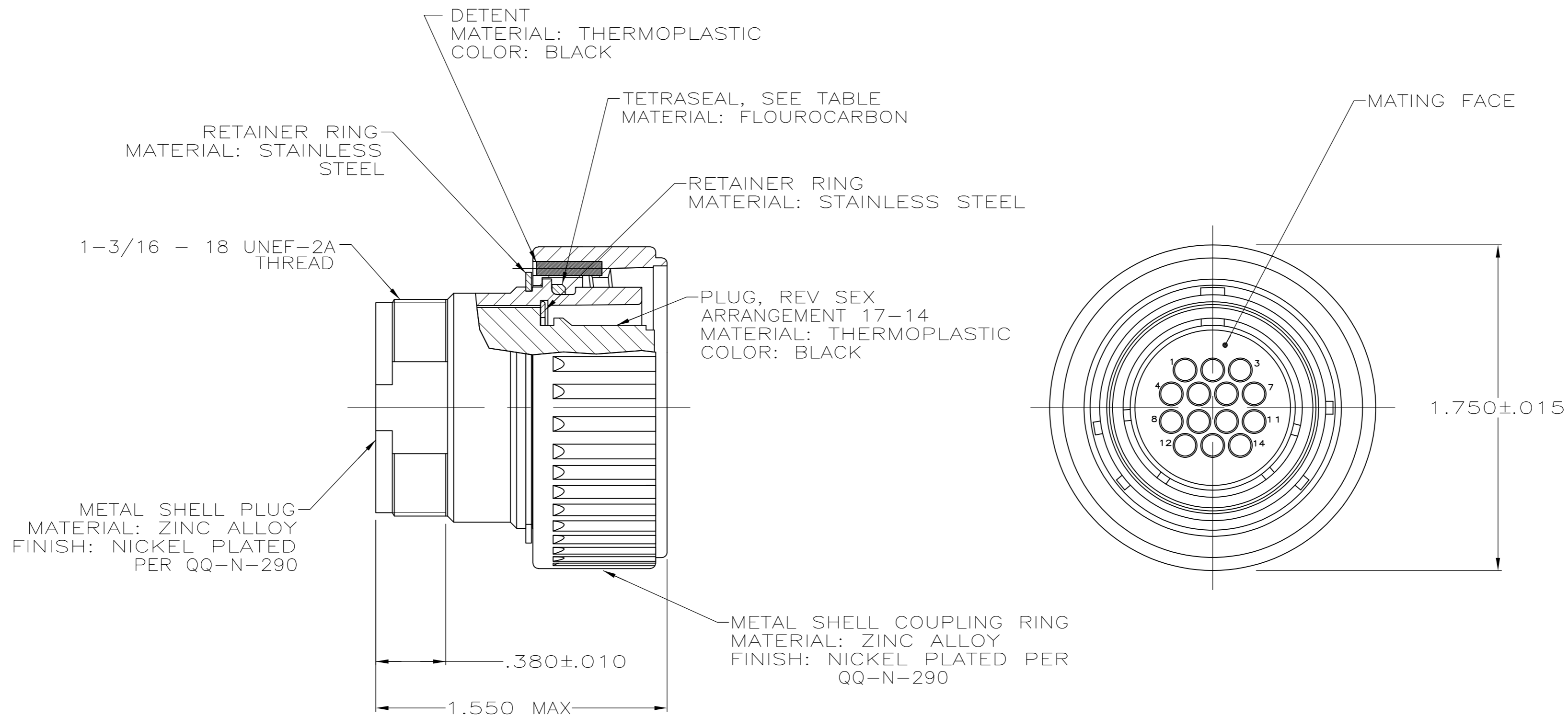
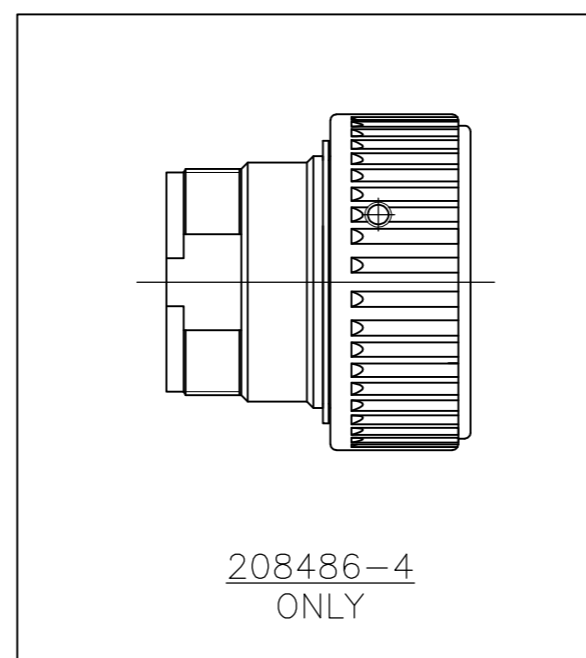


THIS DRAWING IS UNPUBLISHED. RELEASED FOR PUBLICATION
 © COPYRIGHT - By - ALL RIGHTS RESERVED.

LOC	DIST	REVISIONS					
FT	0	P	LTR	DESCRIPTION	DATE	DWN	APVD
		P1		REVISED PER ECO-11-004917	11MAR11	RK	HMR



1. THIS PLUG ACCEPTS FOURTEEN (14) MULTIMATE PIN CONTACTS. MAXIMUM WIRE INSULATION DIAMETER = .105.
2. AMP PART NUMBER AND DATE CODE TO BE LOCATED ON COUPLING RING.



YES	YES	208486-4
NO	YES	208486-3
NO	NO	208486-1
SECONDARY LOCKING FEATURE	TETRASEAL	PART NUMBER

THIS DRAWING IS A CONTROLLED DOCUMENT.		DWN	6-27-91	TE TE Connectivity			
		R.LEE BG					
DIMENSIONS: INCHES		CHK	4-20-92	PLUG ASSEMBLY, REV SEX, SERIES 1, 22-14, CMC			
TOLERANCES UNLESS OTHERWISE SPECIFIED:		W.G.LENKER					
0 PLC ± -		APVD	-				
1 PLC ± -		PRODUCT SPEC	108-10040				
2 PLC ± -		APPLICATION SPEC	-	SIZE	CAGE CODE	DRAWING NO	RESTRICTED TO
3 PLC ± -				A2	00779	C=208486	-
4 PLC ± -				SCALE		SHEET	REV
ANGLES ± -				2:1		1 of 1	P1
FINISH				CUSTOMER DRAWING			
SEE CALLOUT		SEE CALLOUT					

单击下面可查看定价，库存，交付和生命周期等信息

[>>TE Connectivity\(泰科\)](#)