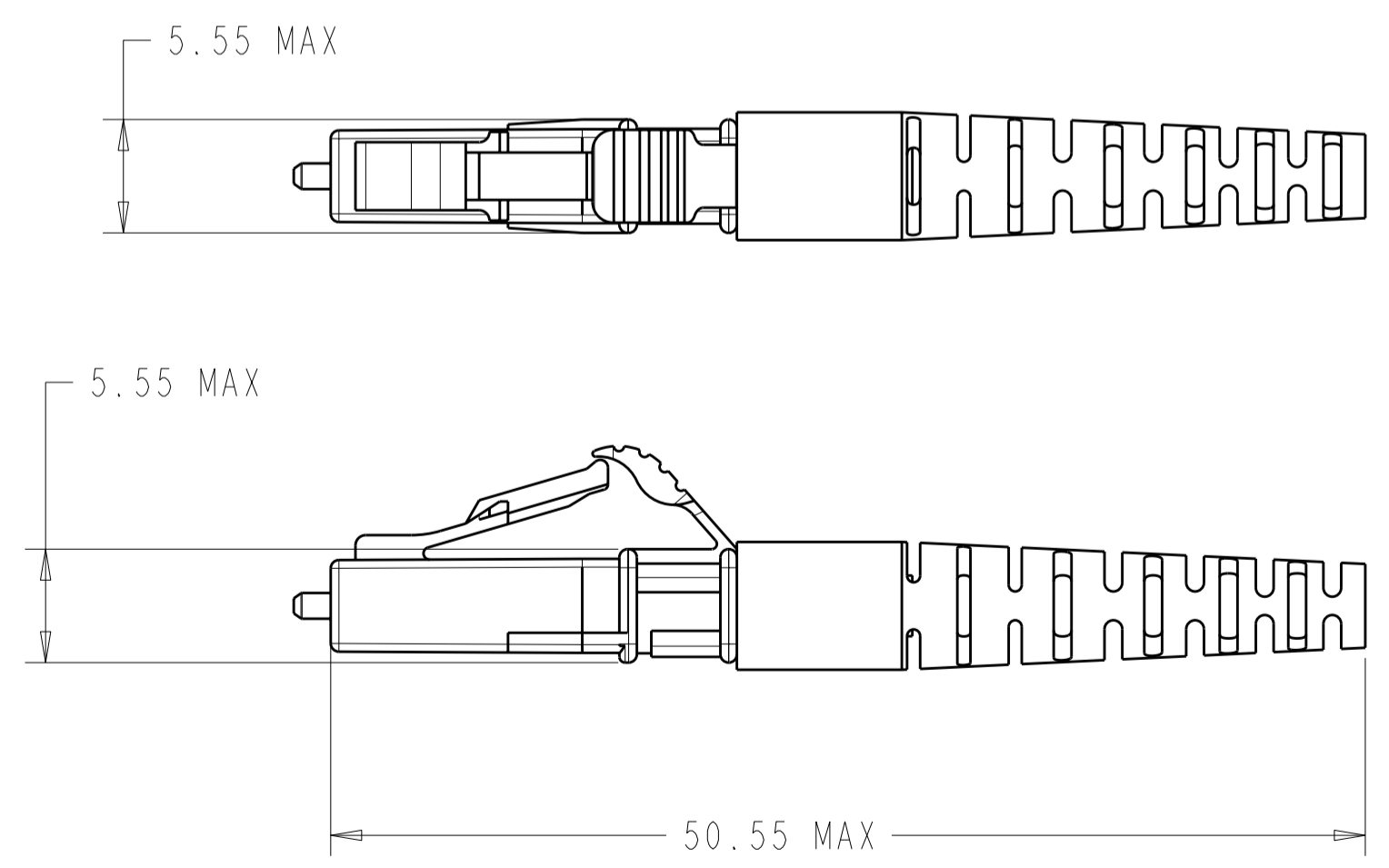
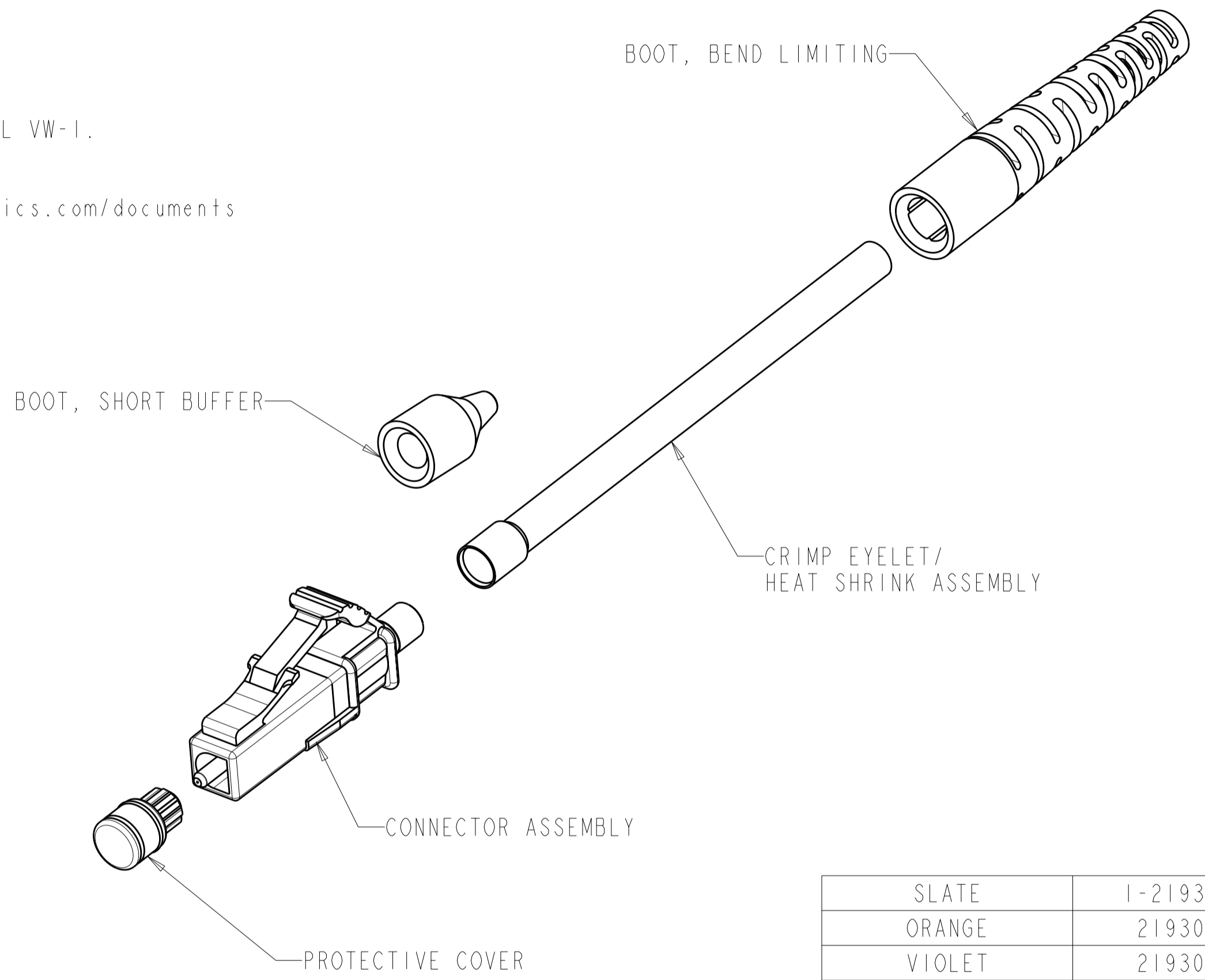


THIS DRAWING IS UNPUBLISHED. RELEASED FOR PUBLICATION 20  
 © COPYRIGHT 20 BY - ALL RIGHTS RESERVED.

LOC	DIST	REVISIONS			
P	LTR	DESCRIPTION	DATE	DWN	APVD
HM	00	A	RELEASE ECO-11-010691	31MAY2011	LH DK

⚠ MATERIAL: PROTECTIVE COVER: TPE, COLOR:BLACK, UL 94 V-0 \*  
 FERRULE SUB ASSEMBLY: ZIRCONIA/METAL.  
 COMPRESSION SPRING: STAINLESS STEEL.  
 HOUSING: PPSU, COLOR:SEE DASH NO'S.  
 INNER TUBING: PTFE, COLOR:CLEAR, UL VW-1.  
 REAR BODY:METAL.  
 BOOT: PP, COLOR:BEIGE, UL 94 V-0. \*  
 CRIMP EYELET/HEAT SHRINK ASSY: ALUM. ALLOY, HEAT SHRINK: POLYOLEFIN, UL VW-1.  
 \*RATED AT QUALIFYING THICKNESS.

2. INSTRUCTION SHEET: 408-8675 AVAILABLE FOR DOWNLOAD AT [www.tycoelectronics.com/documents](http://www.tycoelectronics.com/documents)  
 OR [www.ampnetconnect.com/foguide](http://www.ampnetconnect.com/foguide).



SLATE	1-2193005-0
ORANGE	2193005-9
VIOLET	2193005-8
BROWN	2193005-7
AQUA	2193005-6
ROSE	2193005-5
BLUE	2193005-4
GREEN	2193005-3
YELLOW	2193005-2
RED	2193005-1
COLOR	PART NO

THIS DRAWING IS A CONTROLLED DOCUMENT.		DWN L HALL 27MAY2011	<b>STE</b> TE Connectivity	
DIMENSIONS: mm		CHK D. KIRSCH 31MAY2011		
TOLERANCES UNLESS OTHERWISE SPECIFIED:		APVD D. KIRSCH 31MAY2011	NAME KIT, CONNECTOR, LC SECURE SIMPLEX, MM, 250um, 900um BUFFER, 1.6-2.0mm, JACKET	
0 PLC ±-		PRODUCT SPEC	SIZE A2	CAGE CODE 00779
1 PLC ±0.1		APPLICATION SPEC	DRAWING NO C-2193005	RESTRICTED TO
2 PLC ±0.01		WEIGHT	SCALE 3:1	SHEET 1 OF 1
3 PLC ±-		CUSTOMER DRAWING	REV A	
4 PLC ±-				
ANGLES ±-				
FINISH				

单击下面可查看定价，库存，交付和生命周期等信息

[>>TE Connectivity\(泰科\)](#)