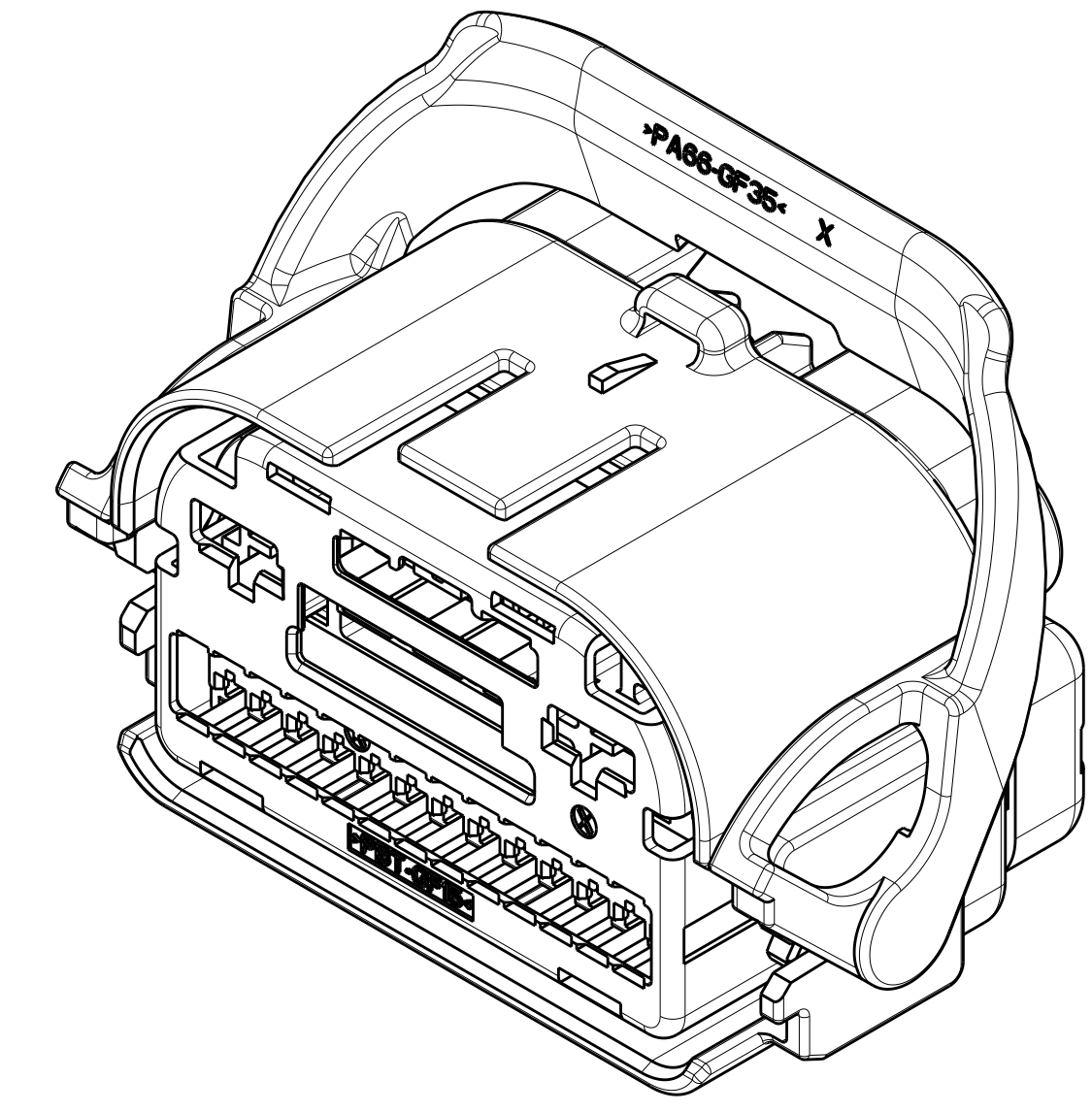


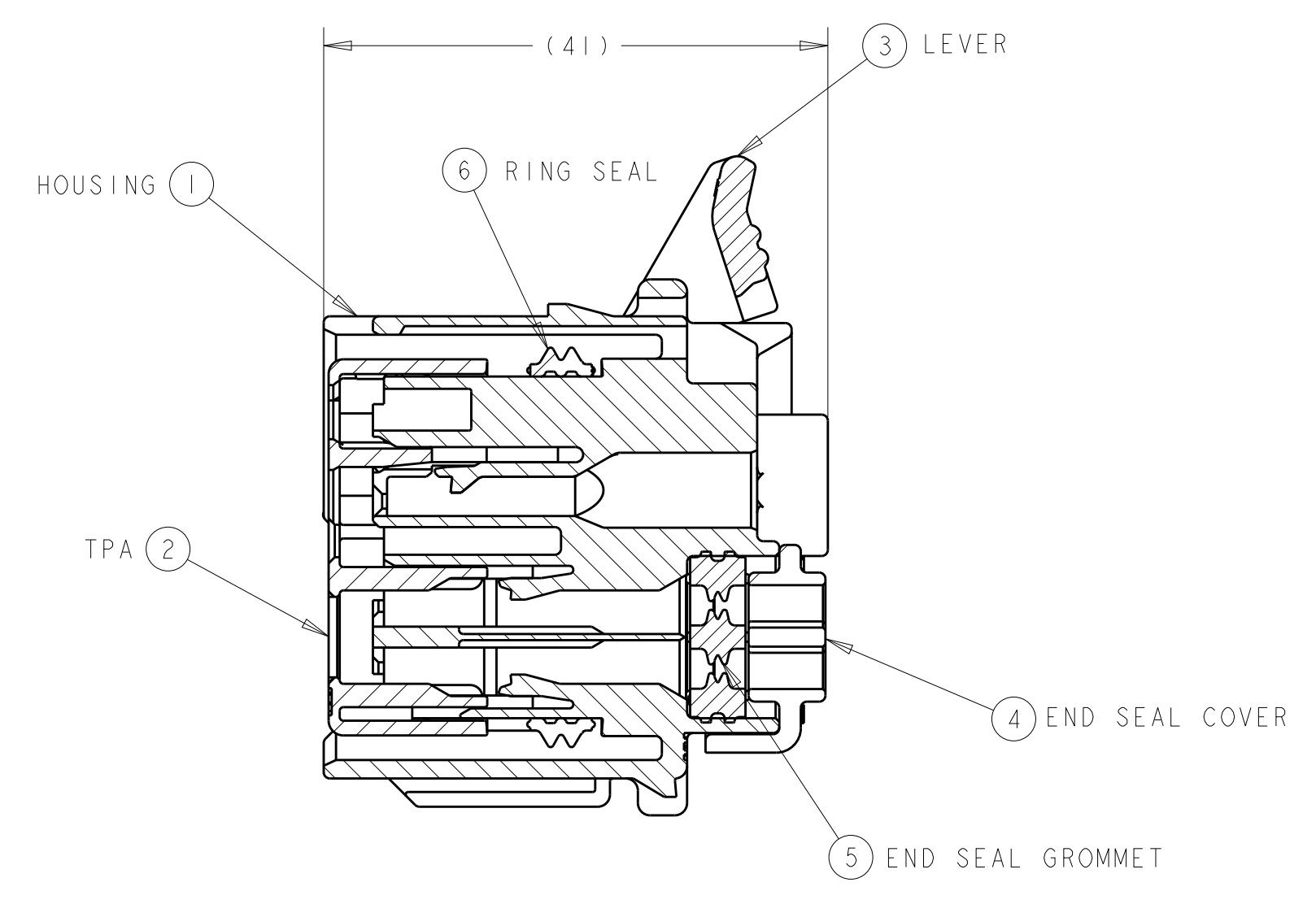
REVISIONS					
REV	DATE	DESCRIPTION	DATE	BY	APPD
B.29		REVISED PER ECO-18-015009	24SEP2018	JMS	HC
B.30		REVISED PER ECO-19-003442	11MAR2019	JMS	HC
B.31		REVISED PER ECO-19-006701	08MAY2019	JMS	GR
B.32		REVISED PER ECO-20-012737	14SEP2020	AP	HDC

LIST OF PARTS

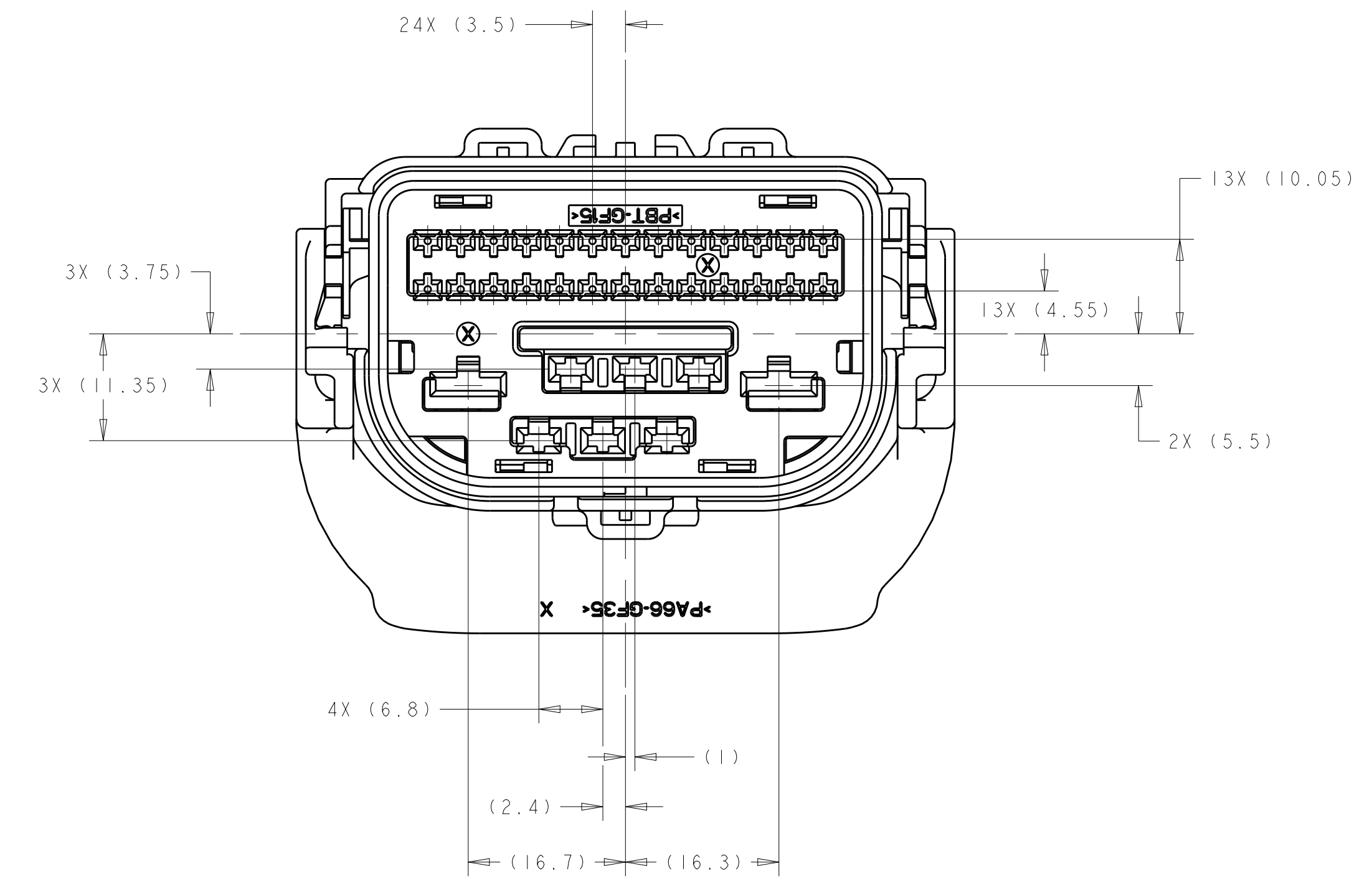
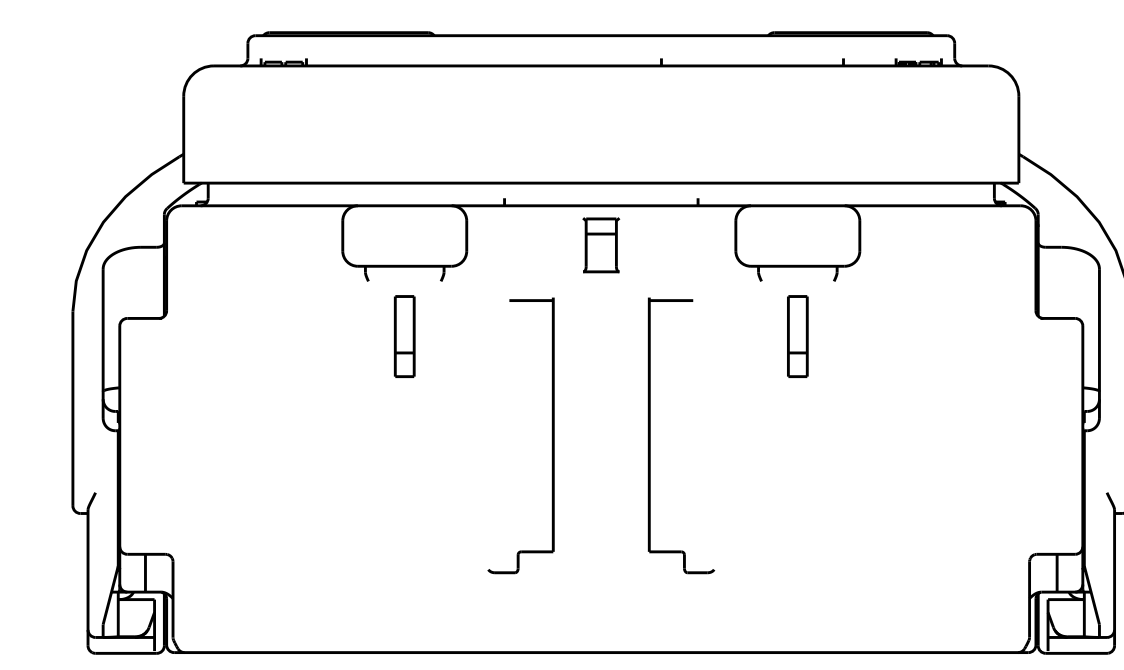
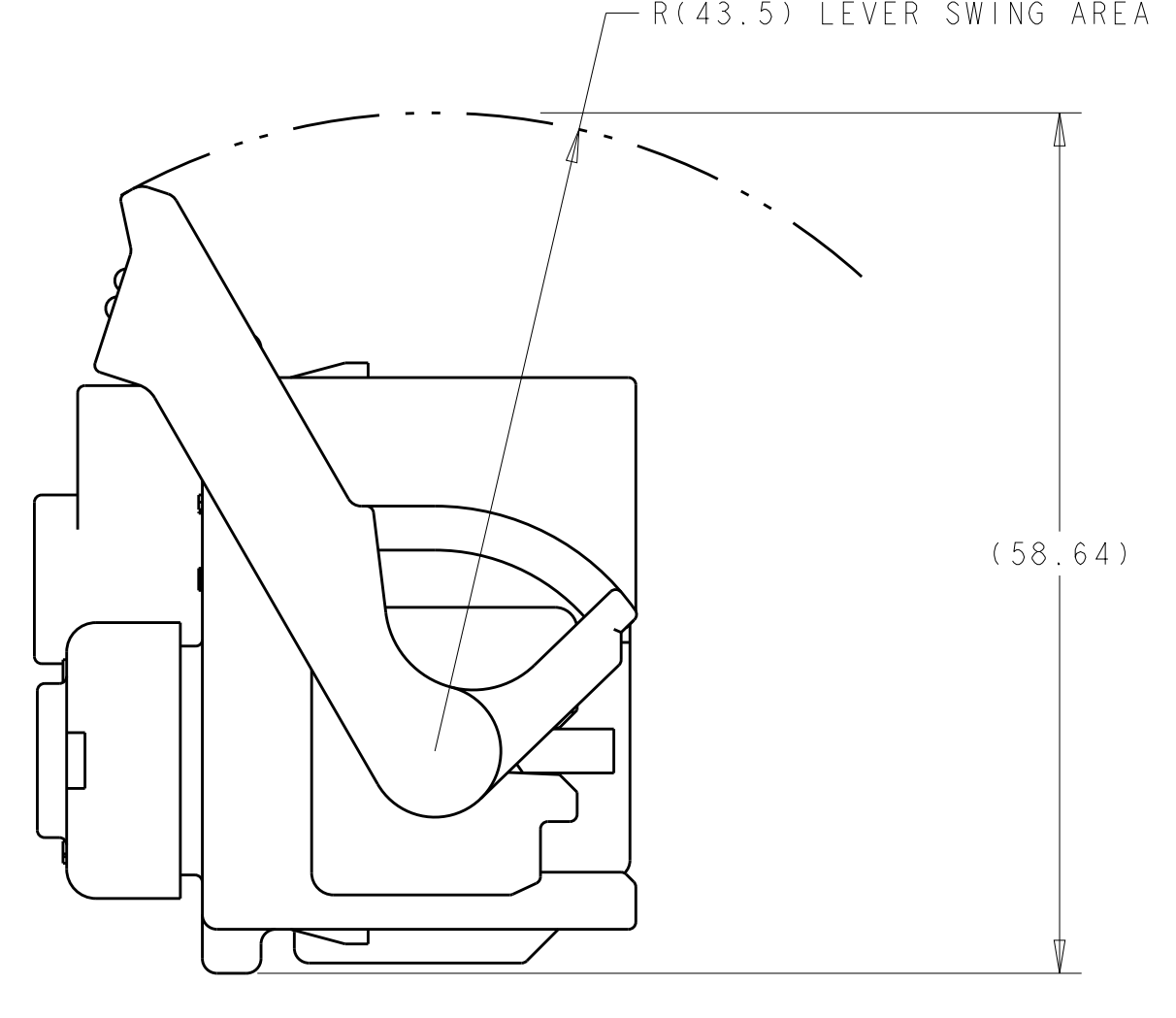
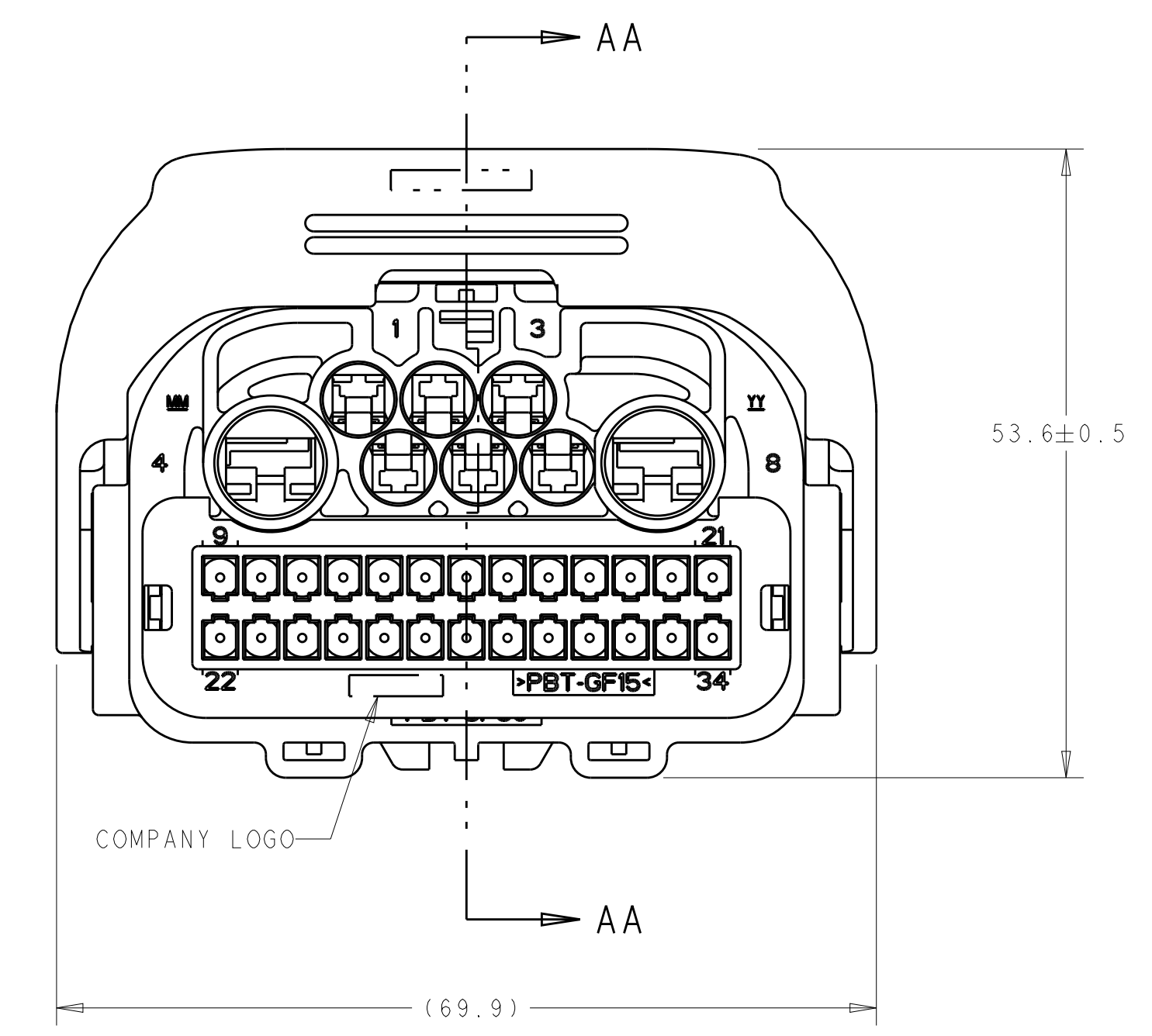
QTY REQUIRED			ITEM	DESCRIPTION	COLOR	MATERIAL SPECIFICATION	RECYCLING CODE	WEIGHT (GRAM)
INDEX C	INDEX B	INDEX A						
-	-	1	1	HOUSING, KEYING OPTION "A"	BLACK	30% GF PBT	>PBT-GF30<	TBD
-	1	-		HOUSING, KEYING OPTION "B"	GRAY	30% GF PBT	>PBT-GF30<	TBD
1	-	-		HOUSING, KEYING OPTION "C"	NATURAL	30% GF PBT	>PBT-GF30<	TBD
1	1	1	2	TPA	RED	15% GF PBT	>PBT-GF15<	TBD
1	1	1	3	LEVER	GRAY	33% GF NYLON	>PA66-GF33<	TBD
1	1	1	4	END SEAL COVER	BLACK	15% GF PBT	>PBT-GF15<	TBD
1	1	1	5	END SEAL GROMMET	LT BLUE	SILICON	>VMQ<	TBD
1	1	1	6	RING SEAL	BLUE	SILICON	>VMQ<	TBD



- PART MUST CONFORM TO THE USCAR-2 SPECIFICATION, DATED 07/DEC/00 (REVISION 3).
 - 0.2mm MAXIMUM RADIUS PERMISSIBLE ON EDGES AND FILLETS SHOWN AS SHARP FOR PLASTIC PARTS.
 - PRODUCTION DATE CODE AND PINOUT ID CODE MUST BE LEGIBLE AND PERMANENTLY APPLIED WHEREVER PACKAGE SIZE PERMITS OR OTHER AGREEMENTS ARE MADE.
 - MATES WITH ASSEMBLY SHOWN ON DRAWING 1438842.
- ⚠ SEE TE INSTRUCTION SHEET 408-8911 FOR PROPER POSITIONING OF TPA AND TE INSTRUCTION SHEET 408-8832 FOR APPLICATION USE OF CONNECTOR SYSTEM.
- ⚠ TERMINAL CAVITIES 9-34 ARE RESTRICTED TO WIRE OD RANGE OF 1.20 - 2.34mm.



SECTION AA-AA
 TPA AND LEVER SHOWN IN PRE-SEATED POSITION ⚠



APPLICABLE COMPONENTS (FOR REFERENCE ONLY)				APPLICABLE WIRE SIZES (FOR REFERENCE ONLY)†	COMPONENT MATING PART NUMBER
DESCRIPTION	COLOR/PLATING	SUPPLIER	SUPPLIER PART NUMBER		
TERMINAL - FEMALE 1.5mm	TIN	MOLEX	33012-2001	18 AWG OR METRIC EQUIVALENT	33000-0002
TERMINAL - FEMALE 1.5mm	TIN	MOLEX	33012-2002	18-20 AWG OR METRIC EQUIVALENT	33000-0002
TERMINAL - FEMALE 1.5mm	TIN	MOLEX	33012-2003	22 AWG OR METRIC EQUIVALENT	33000-0003
TERMINAL - FEMALE 2.8mm	TIN	TE	1326032-2	20 AWG OR METRIC EQUIVALENT	1326031-2
TERMINAL - FEMALE 2.8mm	TIN	TE	1326032-3	18 AWG OR METRIC EQUIVALENT	1326031-3
TERMINAL - FEMALE 2.8mm	TIN	TE	1326032-4	16 AWG OR METRIC EQUIVALENT	1326031-4
TERMINAL - FEMALE 2.8mm	TIN	TE	1326032-5	14 AWG OR METRIC EQUIVALENT	1326031-5
TERMINAL - FEMALE 2.8mm	TIN	TE	1326032-6	12 AWG OR METRIC EQUIVALENT	1-1326031-1
CABLE SEAL - 2.8mm	GREEN	YAZAKI	7158-3111-60	1.2-1.9mm WIRE O.D.	N/A
CABLE SEAL - 2.8mm	YELLOW	YAZAKI	7158-3112-70	1.8-2.3mm WIRE O.D.	N/A
CABLE SEAL - 2.8mm	WHITE	YAZAKI	7158-3113-40	2.1-3.0mm WIRE O.D.	N/A
CABLE SEAL - 2.8mm	LT GRAY	YAZAKI	7158-3110-40	3.1-3.3mm WIRE O.D.	N/A
TERMINAL - FEMALE 6.3mm	TIN	YAZAKI	7116-4140-02	20-16 AWG OR METRIC EQUIVALENT	7114-4140-02
TERMINAL - FEMALE 6.3mm	TIN	YAZAKI	7116-4141-02	14 AWG OR METRIC EQUIVALENT	7114-4141-02
TERMINAL - FEMALE 6.3mm	TIN	YAZAKI	7116-4142-02	12 AWG OR METRIC EQUIVALENT	7114-4142-02
TERMINAL - FEMALE 6.3mm	TIN	YAZAKI	7116-4143-02	10 AWG OR METRIC EQUIVALENT	7114-4143-02
CABLE SEAL - 6.3mm	RED	YAZAKI	7158-3081-50	1.4-2.3mm WIRE O.D.	N/A
CABLE SEAL - 6.3mm	BLUE	YAZAKI	7158-3082-90	2.1-3.0mm WIRE O.D.	N/A
CABLE SEAL - 6.3mm	BLACK	YAZAKI	7158-3083	3.0-3.8mm WIRE O.D.	N/A
CABLE SEAL - 6.3mm	LT GRAY	YAZAKI	7158-3084-40	3.8-4.05mm WIRE O.D.	N/A
ANTI-ROTATION CLIP	NATURAL	TRW	PC47597-1	N/A	N/A
SINGLE TREE CLIP	NATURAL	TRW	PC47688-1	N/A	N/A
CAVITY PLUG - 2.8mm	BLUE	YAZAKI	7158-3114-90	N/A	N/A
CAVITY PLUG - 6.3mm	GREEN	YAZAKI	7158-3080-60	N/A	N/A

NOTE: SEE SUPPLIER DRAWINGS FOR LATEST INFORMATION AND CRIMP SPECIFICATIONS.

THIS DRAWING IS A CONTROLLED DOCUMENT. DATE: 19OCT2004
 DIMENSIONS: (MM)
 UNLESS OTHERWISE SPECIFIED: DIMENSIONS ARE IN MILLIMETERS.
 FINISH: 0 P/LC AS.3, 1 P/LC AS.3, 2 P/LC AS.1, 3 P/LC AS.1, 4 P/LC AS.1
 MATERIAL: -
 FINISH: -
 WEIGHT: -
 ANGLE: -
 CUSTOMER DRAWING

DATE: 19OCT2004
 BY: DRUMMOND
 CHECKED: -
 APPROVED: -
 PRODUCT SPEC: -
 APPLICATION SPEC: -
 SCALE: 2:1
 SHEET 1 OF 4
 REV: 632

STE TE Connectivity
 PLUG ASSEMBLY, 34 WAY, SEALED, INLINE HYBRID, FEMALE
 SIZE: 00779
 DRAWING NO: 1438841
 RESTRICTED TO

REVISIONS				
REV	DATE	DESCRIPTION	BY	APPD
-	-	SEE SHEET 1	-	-

TE P/N	PINOUT ID CODE	INDEX (KEY)	COLOR	1	2	3	4	5	6	7	8	9	10	11	12	13	14	15	16	17	18	19	20	21	22	23	24	25	26	27	28	29	30	31	32	33	34		
8-2203654-2	AGW	A	BLACK																																				
8-2203654-1	AGV	B	GRAY																																				
8-2203654-0	AGU	A	BLACK																																				
7-2203654-9	AGT	A	BLACK																																				
7-2203654-8	AGS	B	GRAY																																				
7-2203654-7	AGR	A	BLACK																																				
7-2203654-6	AGO	B	GRAY																																				
7-2203654-5	AGP	B	GRAY																																				
7-2203654-4	AGO	A	BLACK																																				
7-2203654-3	AGN	A	BLACK																																				
7-2203654-2	AGM	B	GRAY																																				
7-2203654-1	AGL	A	BLACK																																				
7-2203654-0	AGK	B	GRAY																																				
6-2203654-9	AGJ	B	GRAY																																				
6-2203654-8	AGI	A	BLACK																																				
6-2203654-7	AGH	A	BLACK																																				
6-2203654-6	AGG	A	BLACK																																				
6-2203654-5	AGF	A	BLACK																																				
6-2203654-4	AGE	A	BLACK																																				
6-2203654-3	AGD	A	BLACK																																				
6-2203654-2	AGC	A	BLACK																																				
6-2203654-1	AGB	A	BLACK																																				
6-2203654-0	AGA	A	BLACK																																				
5-2203654-9	AFZ	A	BLACK																																				
5-2203654-8	AFY	A	BLACK																																				
5-2203654-7	AFX	A	BLACK																																				
5-2203654-6	AFW	A	BLACK																																				

CIRCUITS 1 THRU 8
REMAIN OPEN

BLOCKED CAVITIES INDICATED BY A NUMERIC SYMBOL IN THAT CIRCUIT LOCATION

THIS DRAWING IS A CONTROLLED DOCUMENT.		REV: 190CT2004	DATE: 190CT2004	BY: DRUMMOND	APPD: DRUMMOND
DIMENSIONS: (mm)		TE CONNECTIVITY	34 WAY, SEALED, INLINE HYBRID, FEMALE	TE Connectivity	
MATERIAL: -		FINISH: -	WEIGHT: -	SCALE: 2:1	SHEET: 4 of 4
CUSTOMER DRAWING		00779	1438841	RESTRICTED TO	

单击下面可查看定价，库存，交付和生命周期等信息

[>>TE Connectivity\(泰科\)](#)