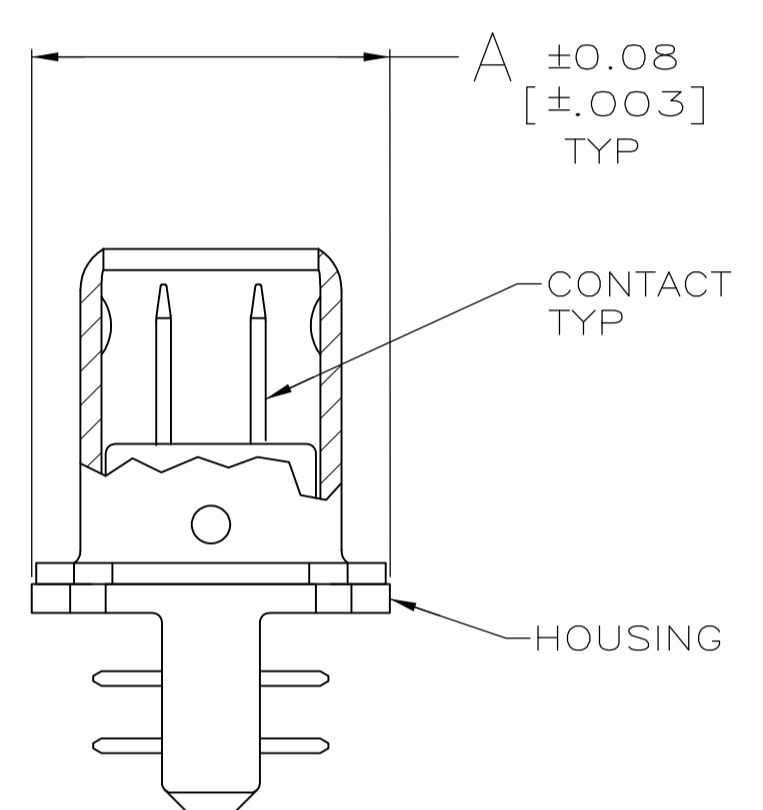
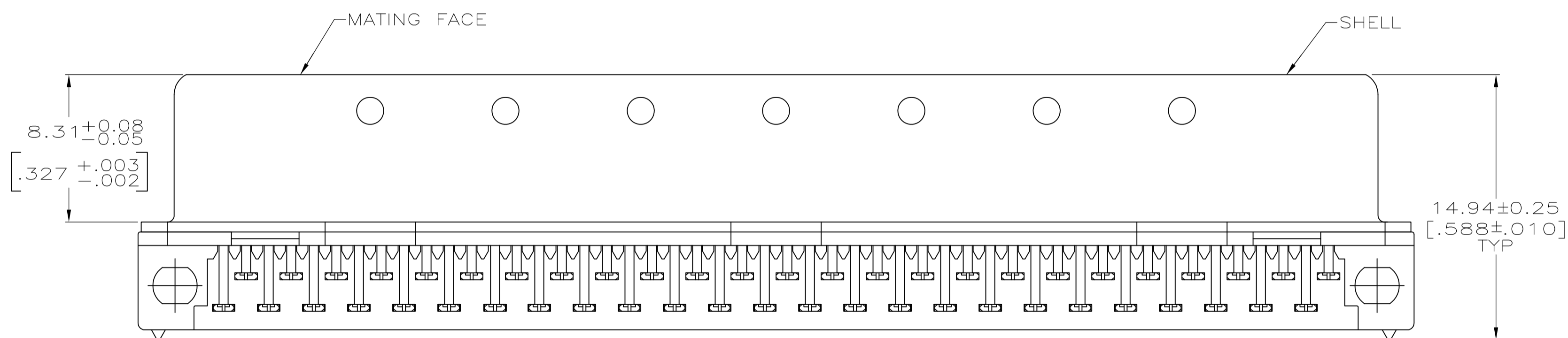
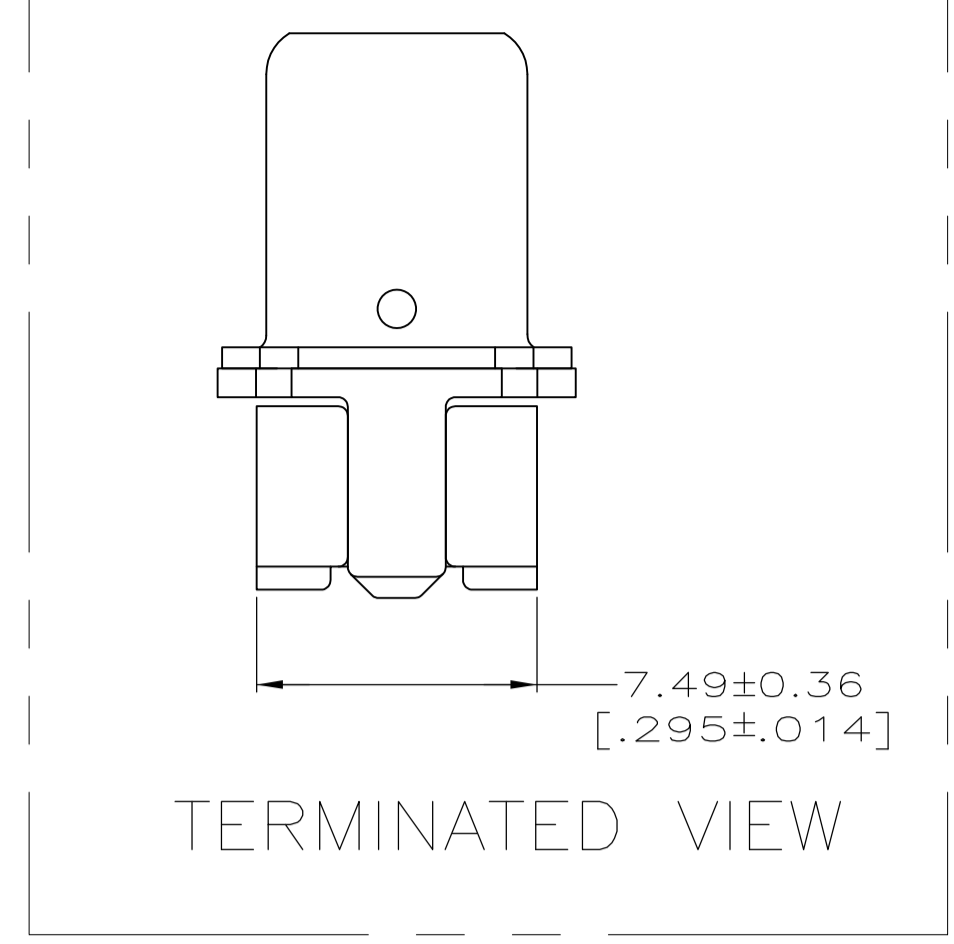
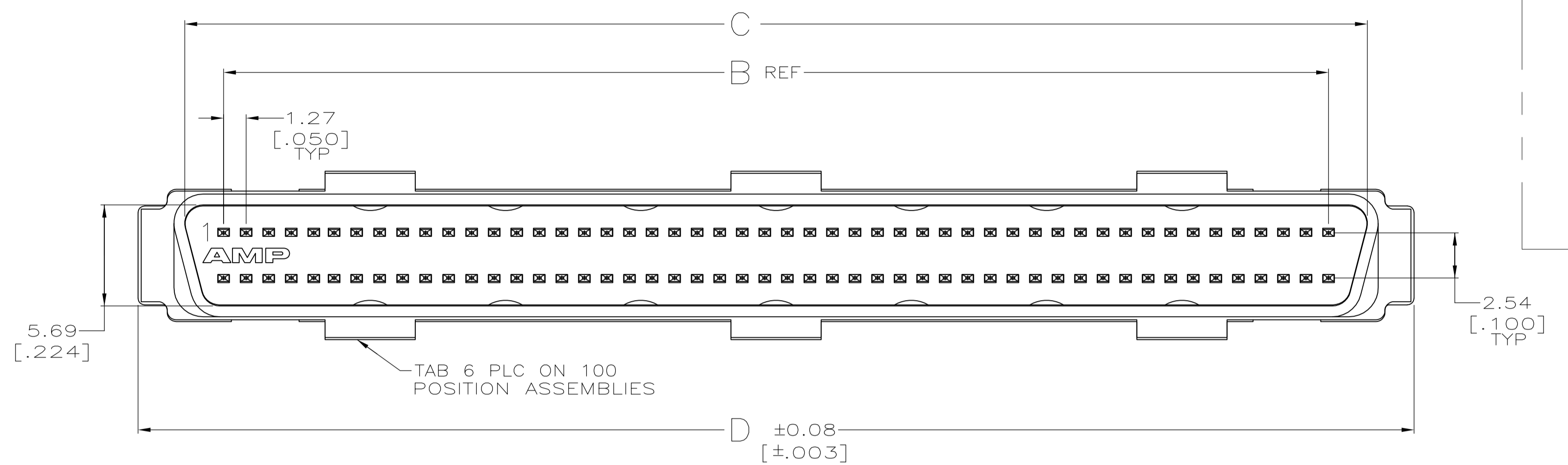
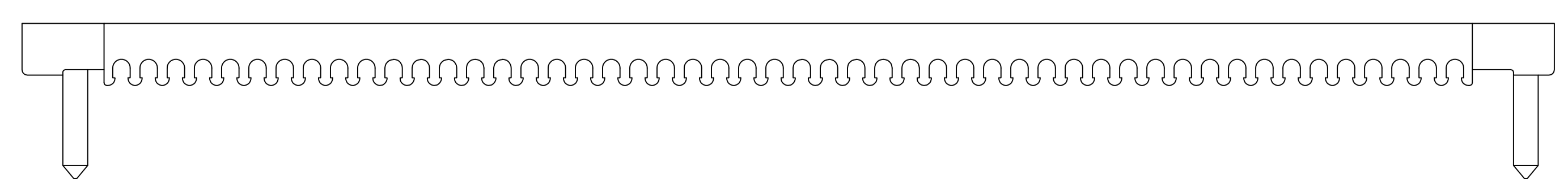
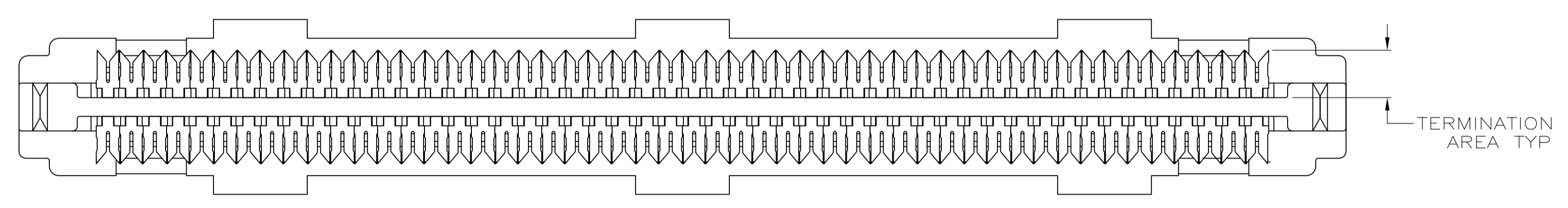


LOC		DIST		REVISIONS			
GP	00	P	LTR	DESCRIPTION	DATE	DN	APVD
		S1		REVISED PER ECO-11-004835	11MAR11	RK	HMR



- 1 CONTACTS: PHOSPHOR BRONZE.  
SHELL: CARBON STEEL  
HOUSING : POLYESTER, BLACK, UL 94V-0 RATED.  
TERMINATING COVERS: POLYESTER, UL 94V-0 RATED, COLOR: SEE TABLE
- 2 PLATED WITH EITHER 0.76µm [.000030] MIN GOLD PLATE OR GOLD FLASH OVER PALLADIUM NICKEL PLATE, 0.76µm [.000030] MIN TOTAL FOR A LENGTH OF 3.35 [.132] MIN FROM MATING END. 1.52µm [.000060] MIN TIN-LEAD IN TERMINATION AREA, ALL OVER 1.27µm [.000050] MIN NICKEL.
- 3 0.25µm [.000010] MIN TIN-NICKEL OVER 3.81µm [.000150] MIN NICKEL OVER 2.54µm [.000100] MIN COPPER.
- 4 RECOMMENDED WIRE: 28 AWG OR 30 AWG, SOLID OR 7 STRAND, PVC INSULATION, REFER TO TABLE BELOW FOR INSULATION DIA.
- 5. COVERS PACKAGED SEPARATE FROM CONNECTORS IN SAME SHIPPING CONTAINER.
- 6 GOLD FLASH FOR A LENGTH OF 3.35 [.132] MIN FROM MATING END, 1.27µm [.000050] MIN TIN-LEAD IN TERMINATION AREA, BOTH OVER 1.27µm [.000050] MIN NICKEL.
- 7 OBSOLETE PART NUMBER.
- 8 PLATED WITH EITHER 0.76µm [.000030] MIN GOLD PLATE OR GOLD FLASH OVER PALLADIUM NICKEL PLATE, 0.76µm [.000030] MIN TOTAL FOR A LENGTH OF 3.35 [.132] MIN FROM MATING END. 3.00µm [.000118] MIN TIN IN TERMINATION AREA, ALL OVER 1.27µm [.000050] MIN NICKEL.
- 9 SUPERSEDED BY 750913-4.
- 10 SUPERSEDED BY 1-5750913-5.
- 11 SUPERSEDED BY 5750913-5.
- 12 SUPERSEDED BY 1-5750913-7.
- 13 SUPERSEDED BY 1-5750913-9.
- 14 SUPERSEDED BY 5750913-7.
- 15 SUPERSEDED BY 1-5750913-2.



6	GRAY	0.74-0.79 [.029-.031]	40.11 [1.579]	34.85 [1.372]	30.48 [1.200]	7.44 [.293]	50	3-750913-5
6	BLACK	0.81-0.91 [.032-.036]	40.11 [1.579]	34.85 [1.372]	30.48 [1.200]	7.44 [.293]	50	2-750913-5
8	GRAY	0.74-0.79 [.029-.031]	71.86 [2.829]	66.60 [2.622]	62.23 [2.450]	9.47 [.373]	100	2-750913-2
8	GRAY	0.74-0.79 [.029-.031]	51.54 [2.029]	46.28 [1.822]	41.91 [1.650]	7.44 [.293]	68	2-750913-1
8	BLACK	0.81-0.91 [.032-.036]	40.11 [1.579]	34.85 [1.372]	30.48 [1.200]	7.44 [.293]	50	2-750913-0
2	GRAY	0.74-0.79 [.029-.031]	71.86 [2.829]	66.60 [2.622]	62.23 [2.450]	9.47 [.373]	100	1-750913-9
2	GRAY	0.74-0.79 [.029-.031]	51.54 [2.029]	46.28 [1.822]	41.91 [1.650]	7.44 [.293]	68	1-750913-7
2	GRAY	0.74-0.79 [.029-.031]	40.11 [1.579]	34.85 [1.372]	30.48 [1.200]	7.44 [.293]	50	1-750913-5
2	GRAY	0.74-0.79 [.029-.031]	33.76 [1.329]	28.50 [1.122]	24.13 [.950]	7.44 [.293]	40	1-750913-4
2	GRAY	0.74-0.79 [.029-.031]	24.87 [.979]	19.61 [.772]	15.24 [.600]	7.44 [.293]	26	1-750913-2
2	BLACK	0.81-0.91 [.032-.036]	71.86 [2.829]	66.60 [2.622]	62.23 [2.450]	9.47 [.373]	100	750913-9
2	BLACK	0.81-0.91 [.032-.036]	51.54 [2.029]	46.28 [1.822]	41.91 [1.650]	7.44 [.293]	68	750913-7
2	BLACK	0.81-0.91 [.032-.036]	40.11 [1.579]	34.85 [1.372]	30.48 [1.200]	7.44 [.293]	50	750913-5
2	BLACK	0.81-0.91 [.032-.036]	33.76 [1.329]	28.50 [1.122]	24.13 [.950]	7.44 [.293]	40	750913-4
2	BLACK	0.81-0.91 [.032-.036]	24.87 [.979]	19.61 [.772]	15.24 [.600]	7.44 [.293]	26	750913-2
CONTACT FINISH	TERMINATING COVERS COLOR	INSULATION OUTER DIAMETER	D	C	B	A	NO OF POSN	PART NUMBER

THIS DRAWING IS A CONTROLLED DOCUMENT. DIMENSIONS: mm [INCHES]. TOLERANCES UNLESS OTHERWISE SPECIFIED: 0 PLC ±, 1 PLC ±, 2 PLC ± 0.13[.005], 3 PLC ±, 4 PLC ±, ANGLES ±.

MATERIAL: 1. SHELL: CONTACTS: SEE TABLE.

THIS DRAWING IS A CONTROLLED DOCUMENT. DWG: J. McCLINTON 8-13-91. CHK: R. STONE 8-19-91. APVD: R. STONE. NAME: PRODUCT SPEC: 108-1228. APPLICATION SPEC: 114-40029. WEIGHT: A1.00779. C=750913. CUSTOMER DRAWING. SCALE: 5:1. SHEET: 1 OF 1. REV: S1.

**STE** TE Connectivity. PLUG KIT, UNASSEMBLED, DISCRETE WIRE TERMINATING COVER, .050 SERIES, AMPLIMITE.

单击下面可查看定价，库存，交付和生命周期等信息

[>>TE Connectivity\(泰科\)](#)