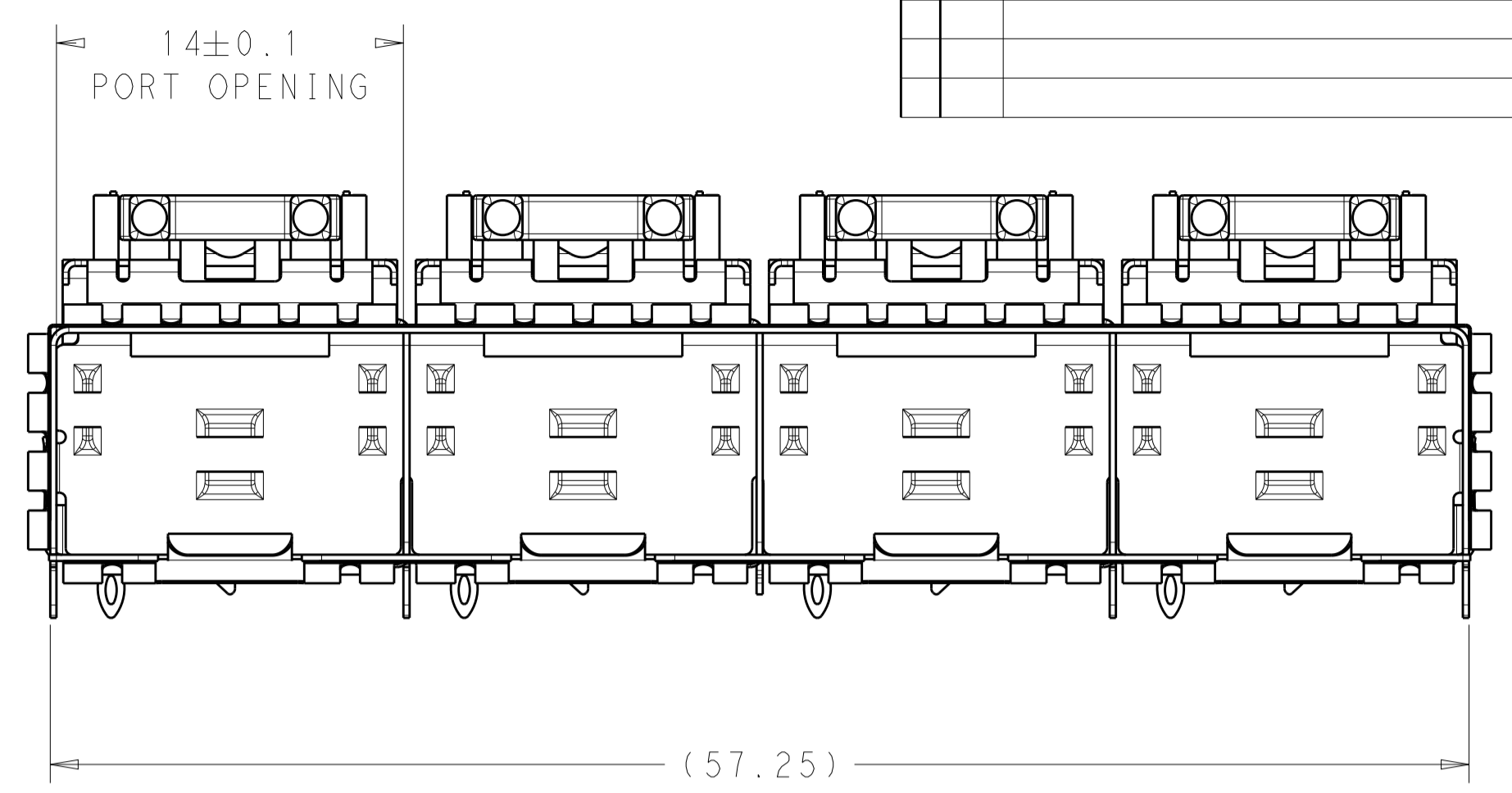
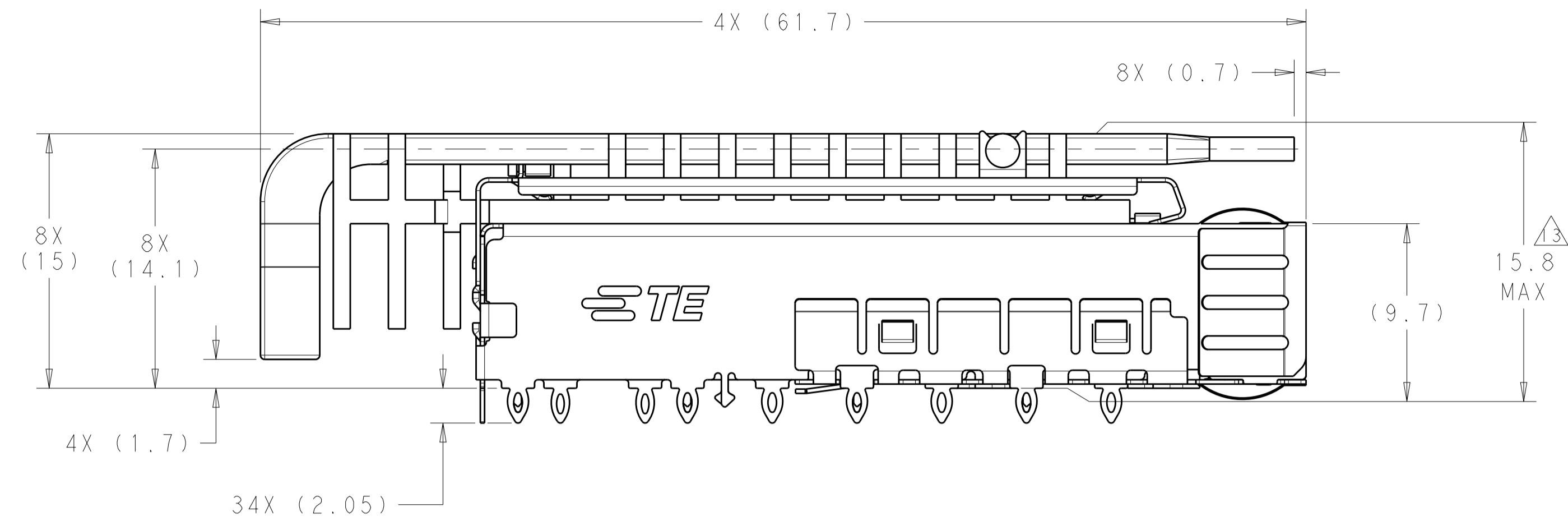
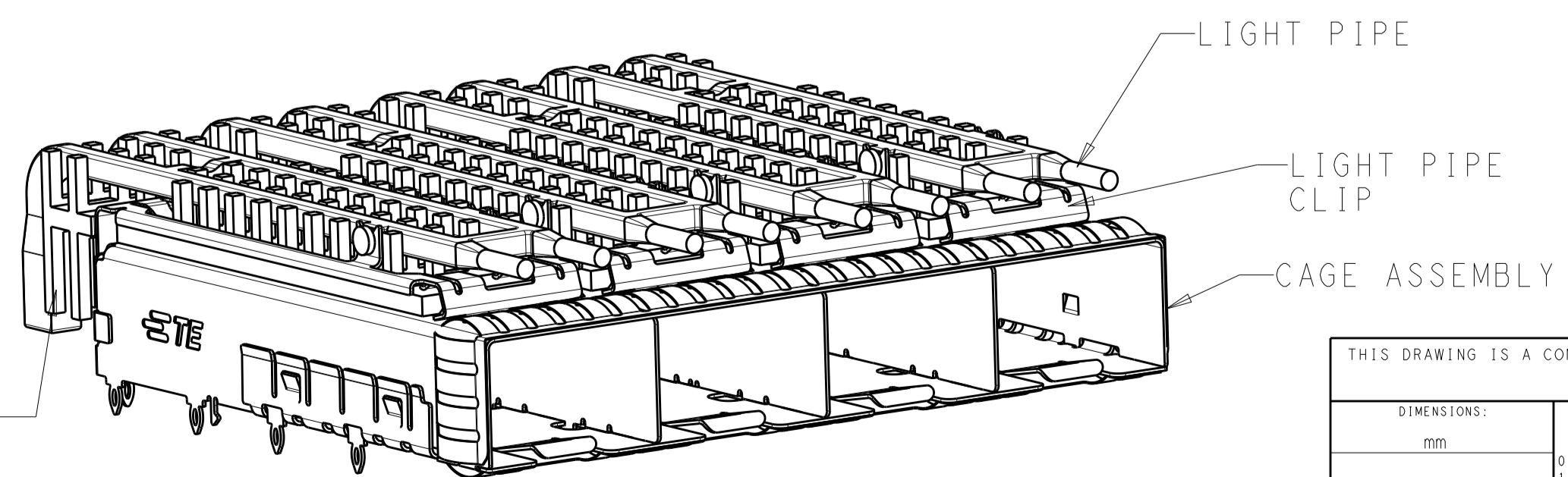
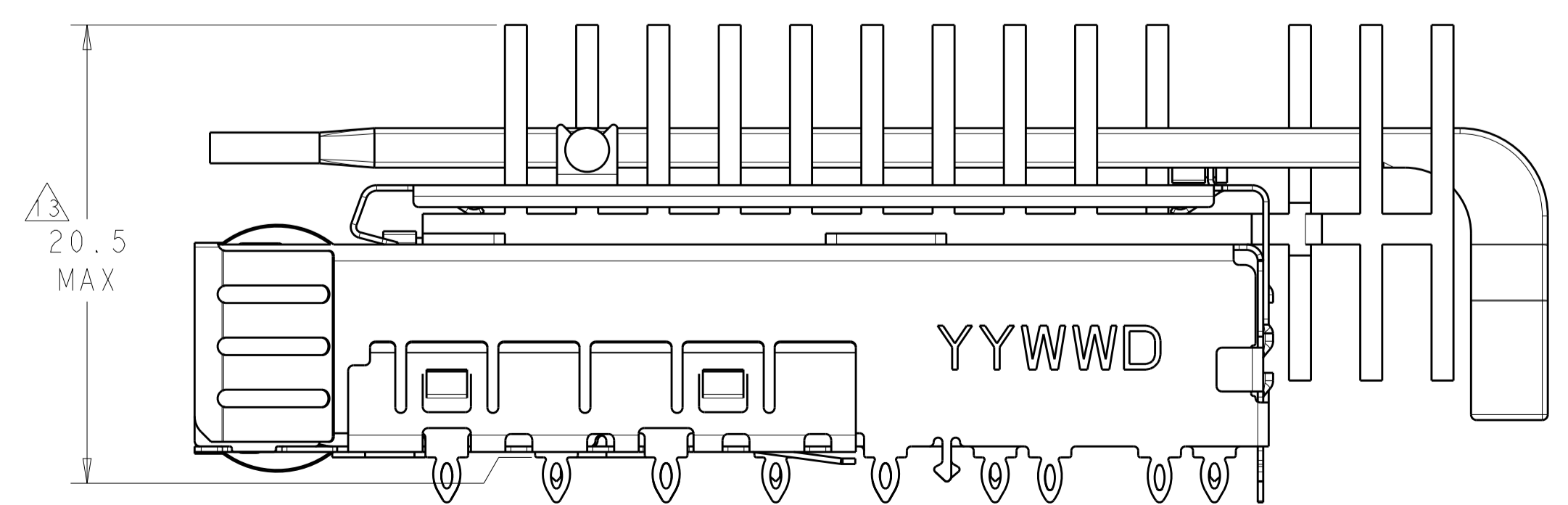
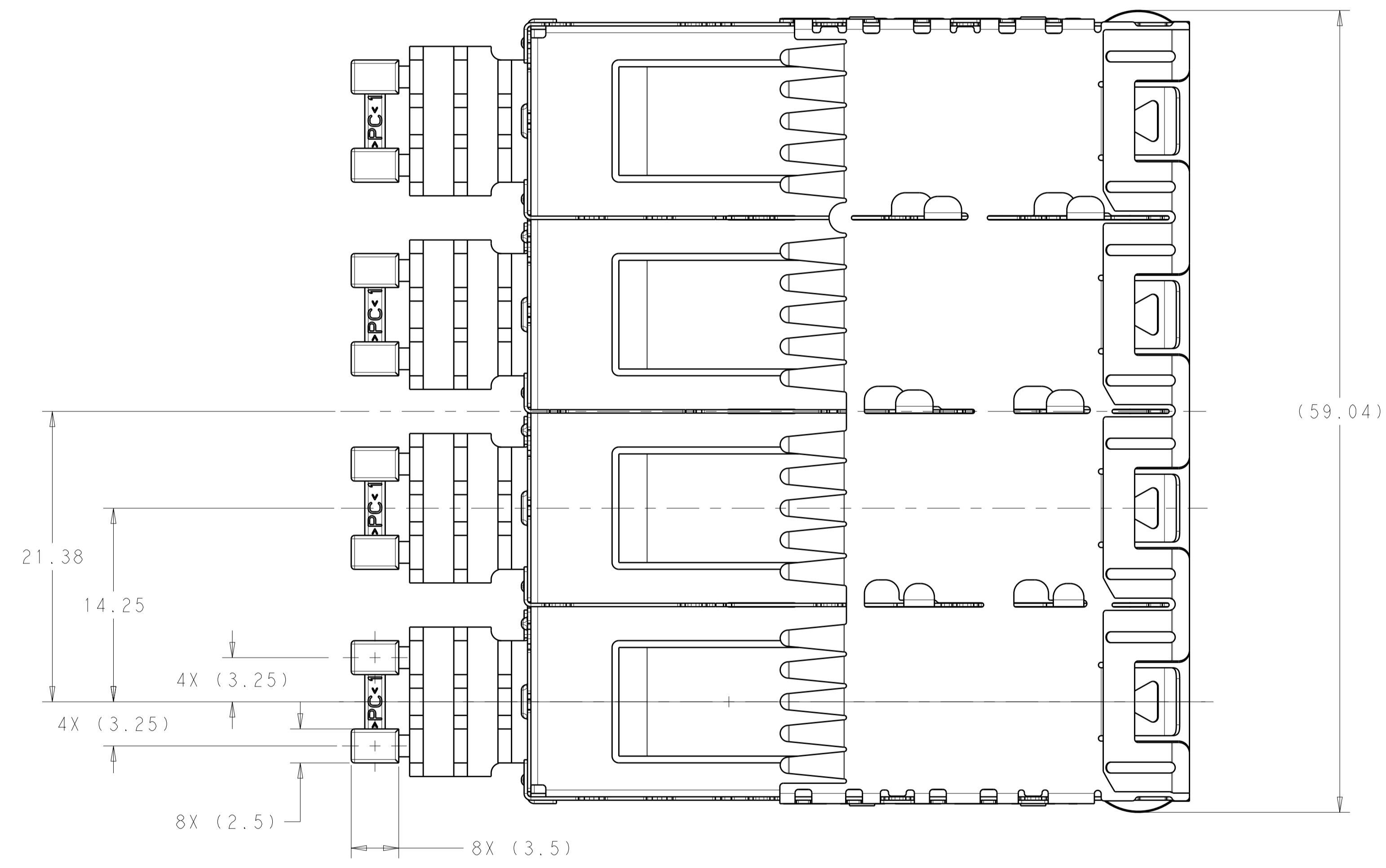


LOC	DIST	REVISIONS			
P	LTN	DESCRIPTION	DATE	DWN	APVD
GP	00	A	RELEASED PER ECO-12-013192	10OCT2012	BMM MRS



- △ MATERIAL:
CAGE ASSEMBLY: 0.25mm THICK NICKEL SILVER ALLOY.
LIGHTPIPE/HEATSINK CLIP: STAINLESS STEEL
LIGHT PIPE: POLYCARBONATE, CLEAR
HEATSINK: ALUMINUM
- △ FINISH:
SPRINGS: MINIMUM OF 0.8um TIN PLATE OVER A MINIMUM OF 0.8um NICKEL UNDERPLATE.
NON-PLATED EDGES PERMISSIBLE.
LIGHTPIPE/HEATSINK CLIP: PASSIVATE.
HEATSINK: ELECTROLESS NICKEL
- 3. MATES WITH SFP MSA COMPLIANT TRANSCEIVERS.
- △ PADS AND VIAS CHASSIS GROUND.
- 5. INTERPRETATION OF DATUM REFERENCE FRAME IN ACCORDANCE WITH SECT 4.4.1.1 OF ASME Y14.5M-1994.
- △ MINIMUM PCB THICKNESS:
SINGLE SIDED = 1.50mm
DOUBLE SIDED = 2.25mm
- △ HOLE PATTERN REPEATS FOR EACH PORT. SPACING BETWEEN PORTS IS 14.25mm.
- △ DATUM AND BASIC DIMENSION ESTABLISHED BY CUSTOMER.
- △ REFERENCE APPLICATION SPEC. 114-13120, HOLE A, FOR RECOMMENDED DRILL HOLE DIAMETER AND PLATING THICKNESS.
- △ REFERENCE APPLICATION SPEC. 114-13120, HOLE B, FOR RECOMMENDED DRILL HOLE DIAMETER AND PLATING THICKNESS.
- 11. CERTAIN MATING TRANSCEIVERS MAY REQUIRE ADDITIONAL PCB THICKNESS THAT WOULD BE DETERMINED BY THE CUSTOMER.
- 12. PRODUCT COMPLIES WITH SPECIFICATION SFF-8433 IMPROVED PLUGGABLE FORM FACTOR FOR SFP+ GANGED CAGES.
- △ DIMENSION APPLIES PRIOR TO INSERTION OF SFP MODULE.
- △ PACKAGED AS A COMPLETE ASSEMBLY.



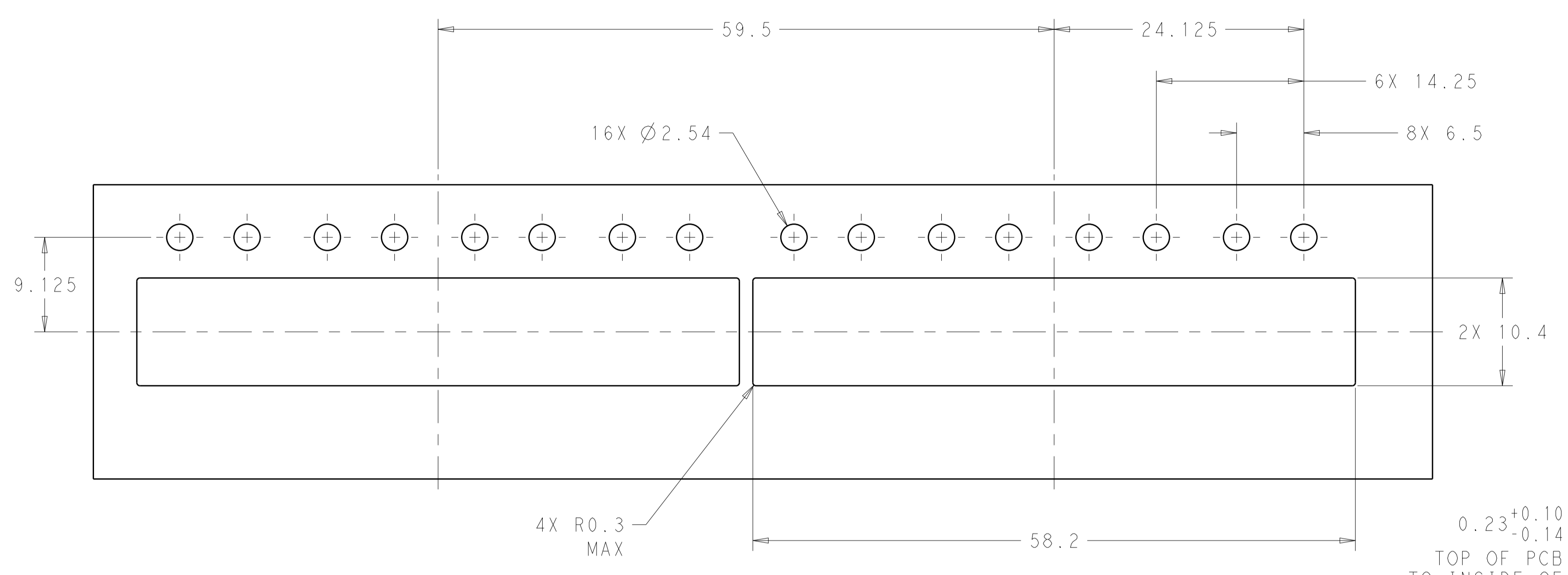
2149745-2 AS SHOWN

2149745-1
FINISHED ASSEMBLY
SCALE 5:2

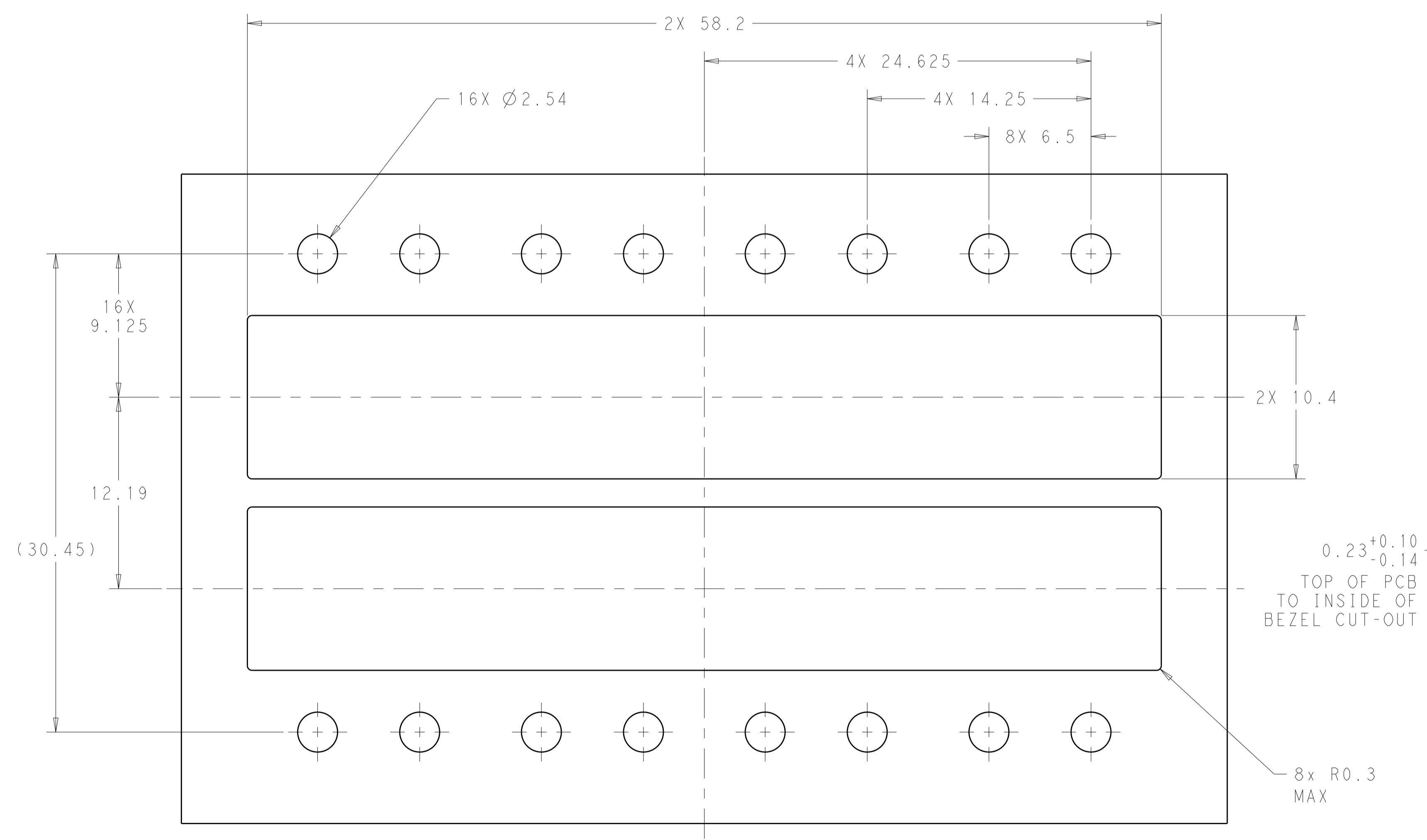
△	2149745-2
△	2149745-1
PART NUMBER	

THIS DRAWING IS A CONTROLLED DOCUMENT.		DWN: B. MATTHEWS 17AUG2010	TE Connectivity
DIMENSIONS: mm		CHK: M. SCHMITT 17AUG2010	
TOLERANCES UNLESS OTHERWISE SPECIFIED:		APVD: M. SCHMITT 17AUG2010	NAME: SFP+ ENHANCED 1X4 CAGE ASSEMBLY PRESS FIT, EXTERNAL EMI SPRINGS
0 PLC ±0.1		PRODUCT SPEC: 108-2364	
1 PLC ±0.1		APPLICATION SPEC: 114-13120	SIZE: A1
2 PLC ±0.1		WEIGHT: -	CAGE CODE: 00779
3 PLC ±0.1		RESTRICTED TO: -	DRAWING NO: 2149745
4 PLC ±0.1		SCALE: 4:1	SHEET: 1 OF 4
ANGLES ±0.1°		Customer Drawing	REV: A

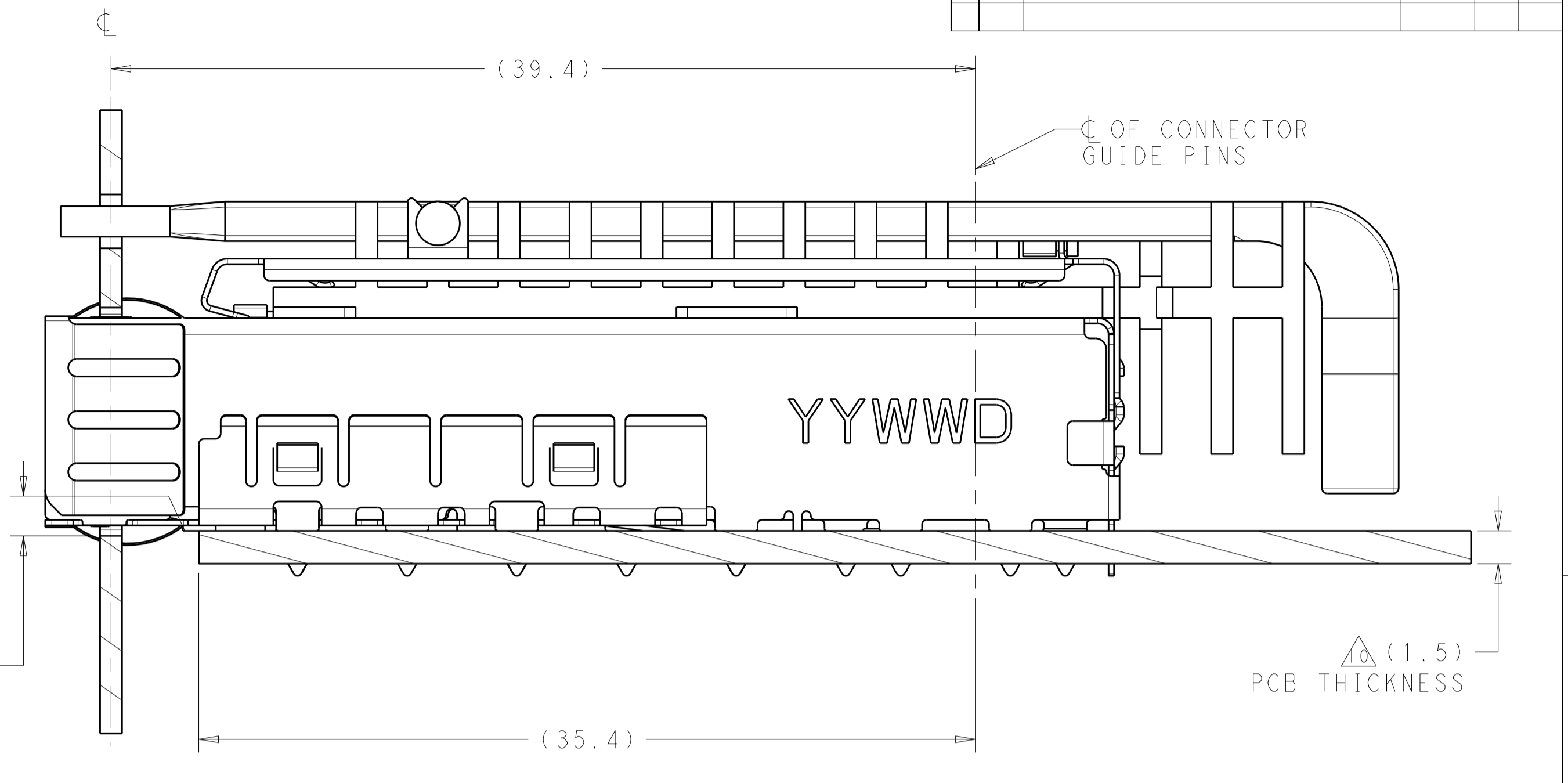
LOC		DIST		REVISIONS			
GP	00	P	LTN	DESCRIPTION	DATE	OWN	APVD
		-		SEE SHEET 1			



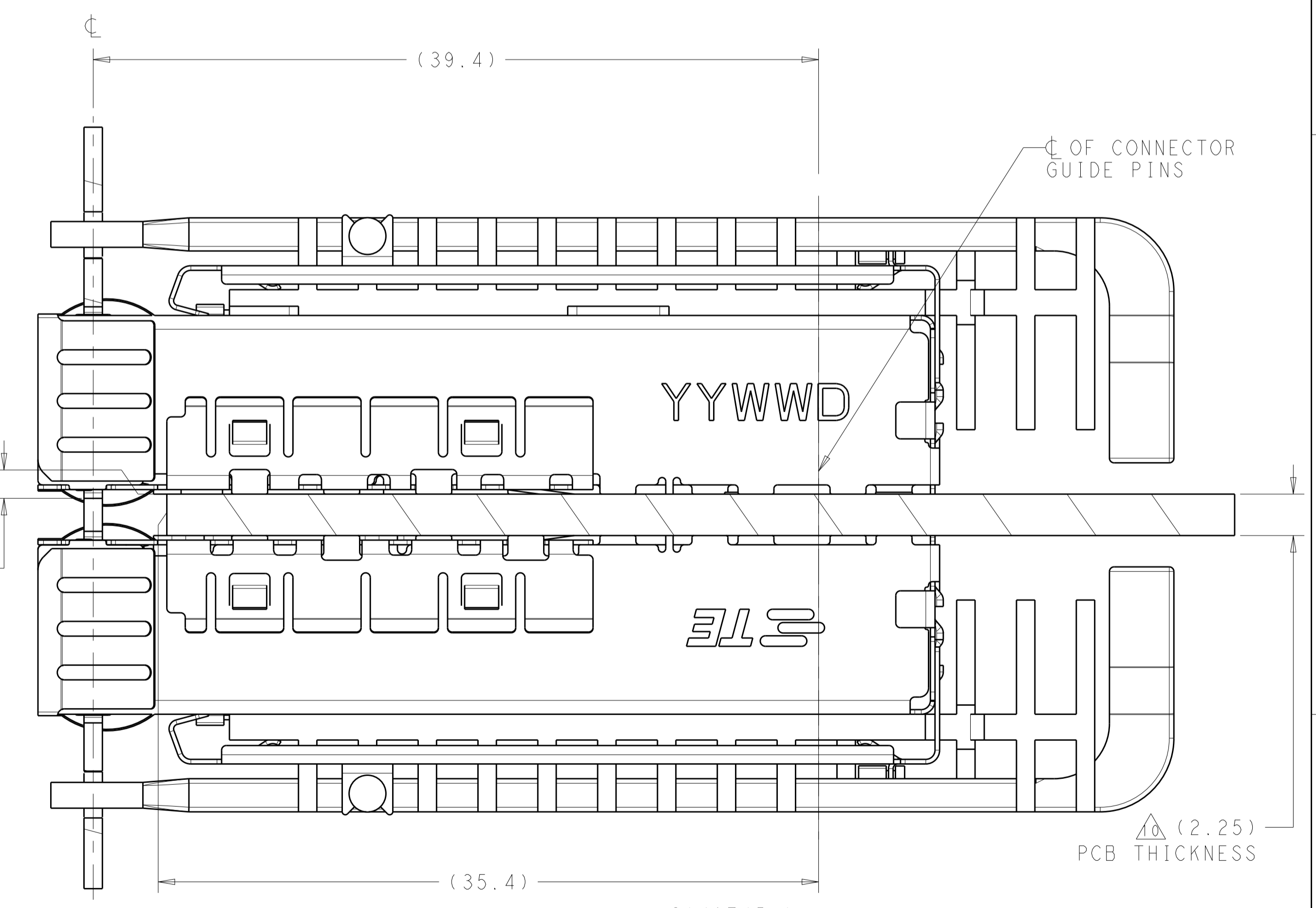
RECOMMENDED BEZEL CUT-OUT
SINGLE SIDED APPLICATIONS
SCALE 3:1



RECOMMENDED BEZEL CUT-OUT
BELLY TO BELLY APPLICATIONS



2149745-1
MOUNTED ON PC BOARD
SHOWN THRU RECOMMENDED BEZEL

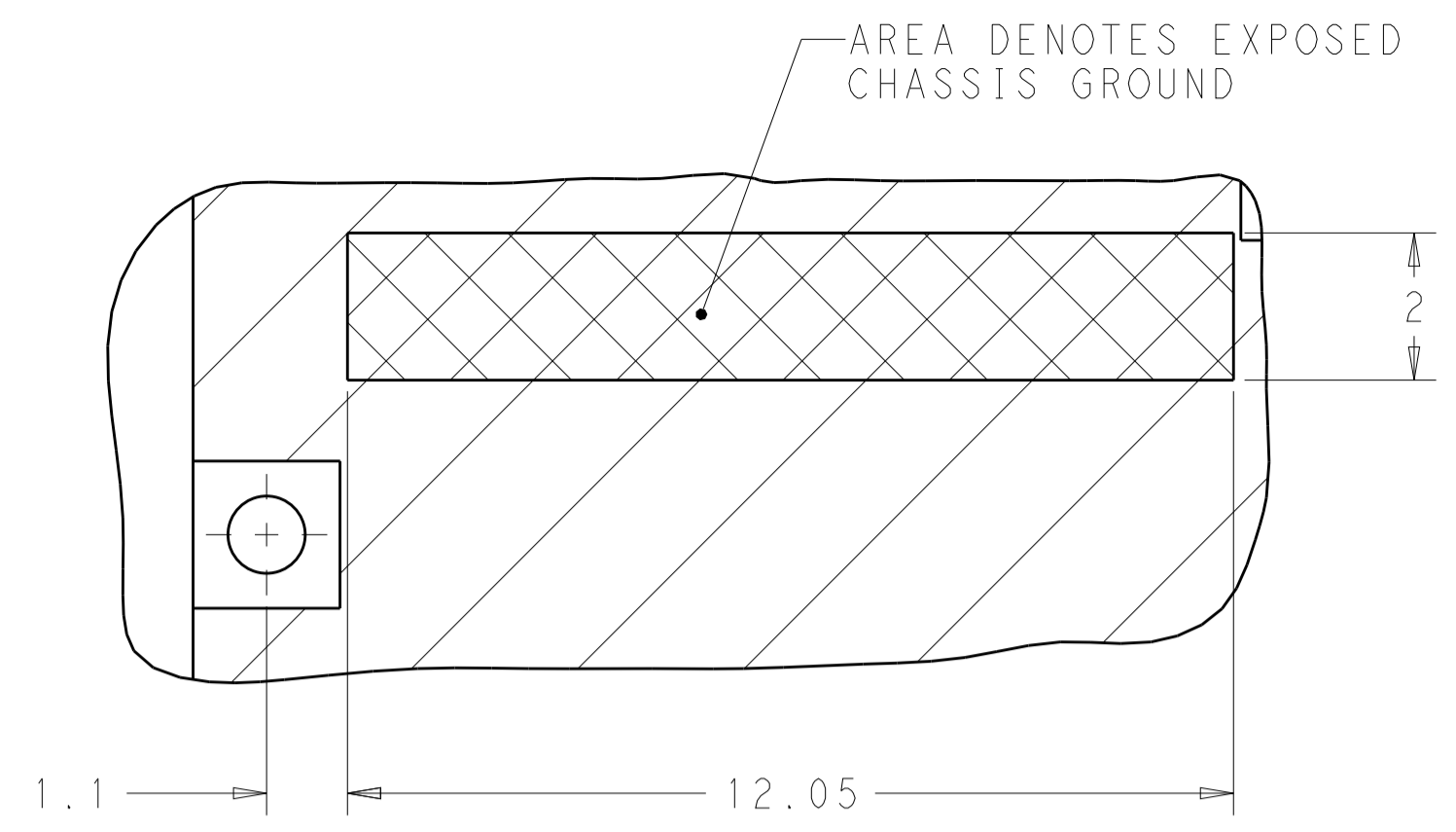


2149745-1
MOUNTED BELLY TO BELLY ON PC BOARD
SHOWN THRU RECOMMENDED BEZEL

THIS DRAWING IS A CONTROLLED DOCUMENT.		OWN: B. MATTHEWS 17AUG2010	TE Connectivity
DIMENSIONS: mm		CHK: M. SCHMITT 17AUG2010	
TOLERANCES UNLESS OTHERWISE SPECIFIED:		APVD: M. SCHMITT 17AUG2010	NAME: SFP+ ENHANCED 1X4 CAGE ASSEMBLY PRESS FIT, EXTERNAL EMI SPRINGS
0 PLC ±0.1		PRODUCT SPEC: 108-2364	
1 PLC ±0.1		APPLICATION SPEC: 114-13120	RESTRICTED TO: A100779C=2149745
2 PLC ±0.1		WEIGHT: -	
3 PLC ±0.1		Customer Drawing	SCALE: 4:1 SHEET 2 OF 4 REV A
4 PLC ±0.1			
ANGLES ±0.1			
FINISH: -			

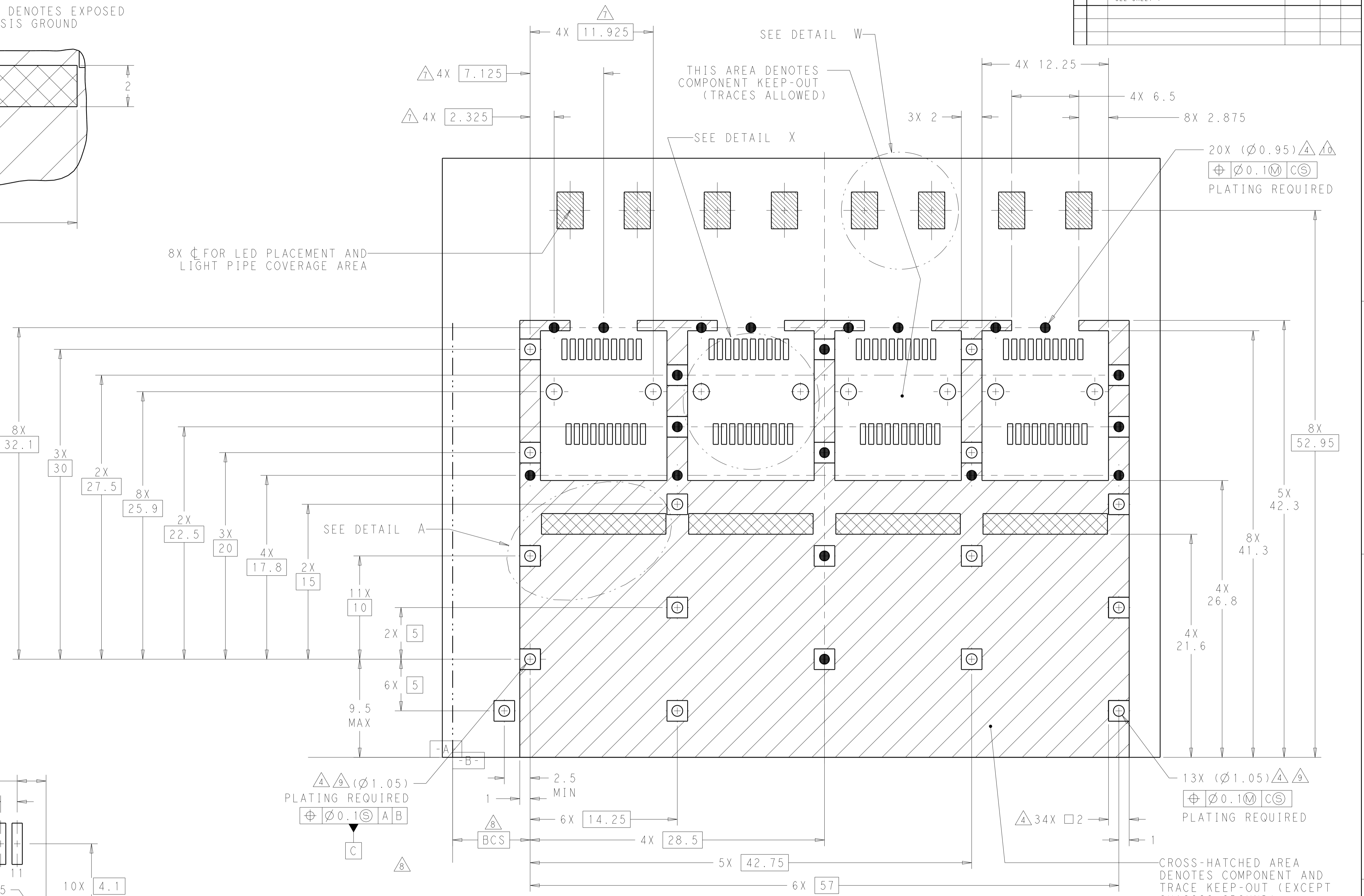
LOC	DIST	REV	DATE	BY	APPV
GP	00				

REVISIONS			
NO.	DESCRIPTION	DATE	BY
-	SEE SHEET 1	-	-

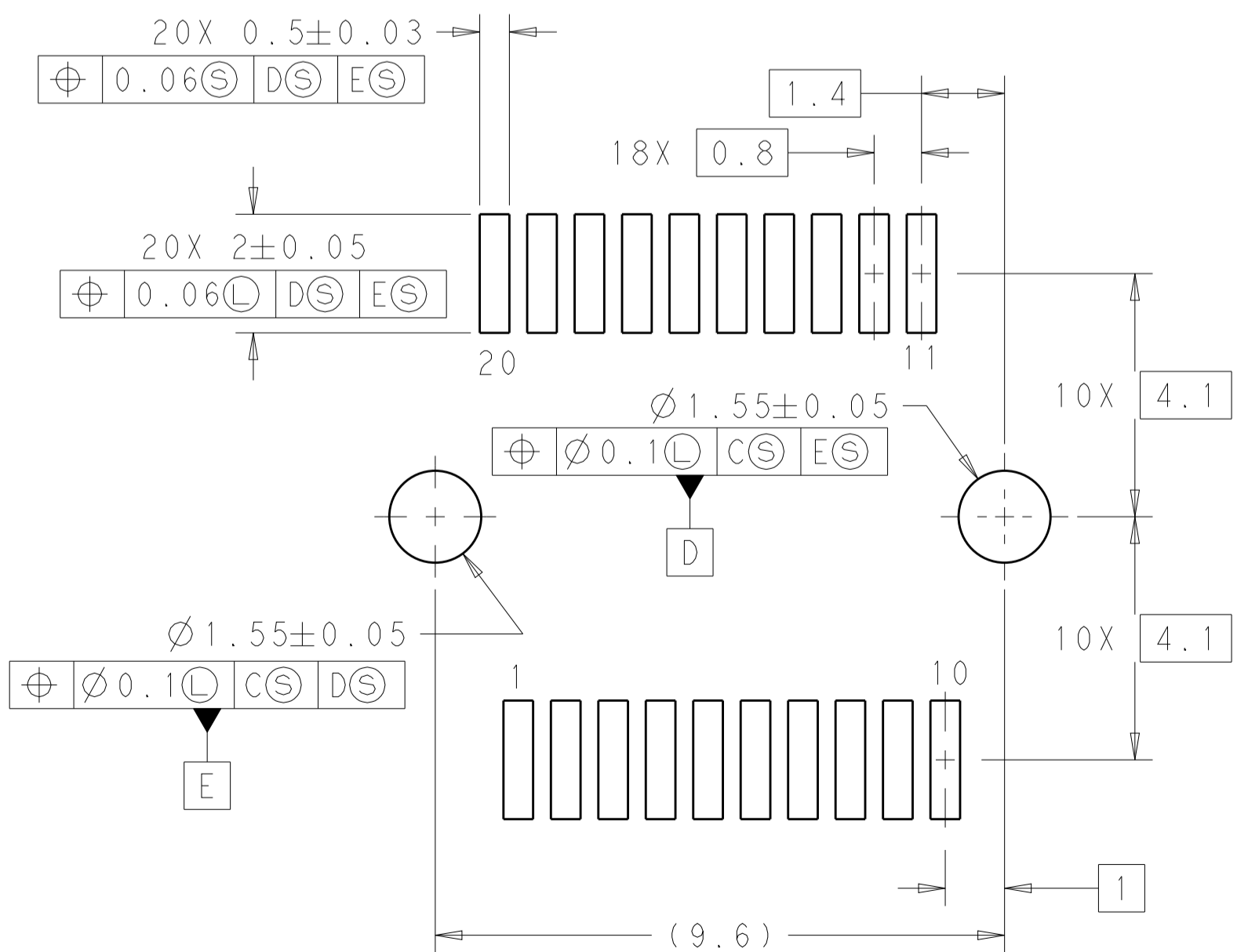


DETAIL A
4X INDIVIDUALLY
SCALE 10:1

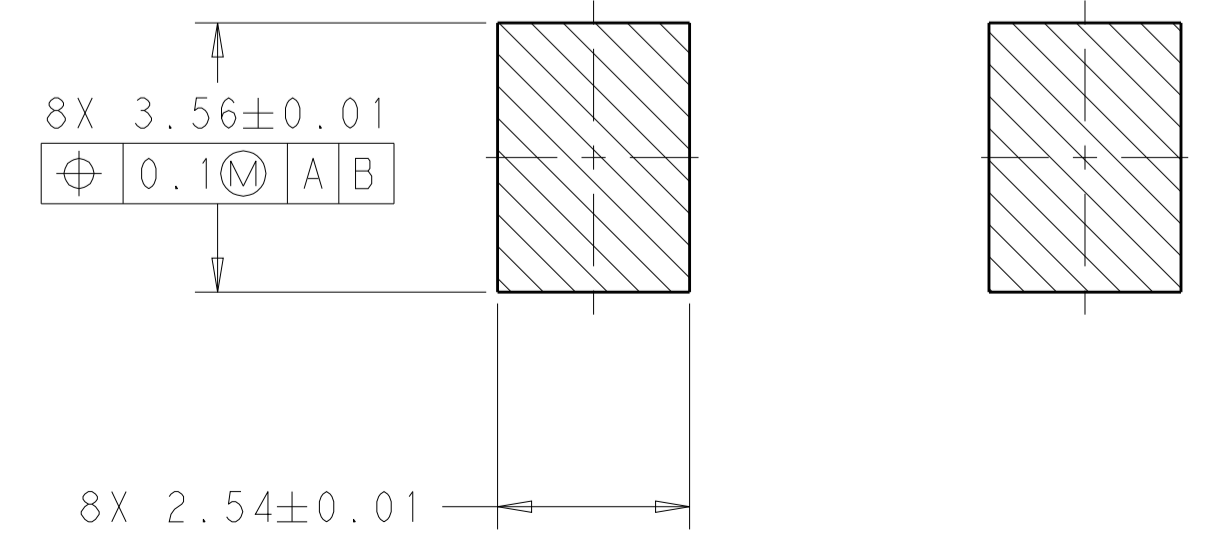
8X ϕ FOR LED PLACEMENT AND LIGHT PIPE COVERAGE AREA



RECOMMENDED PCB CONFIGURATION WITH KEEP-OUT AREAS
SINGLE SIDED APPLICATIONS
SCALE 5:1



DETAIL X
RECOMMENDED PT CONNECTOR LAYOUT
4X INDIVIDUALLY
SCALE 10:1

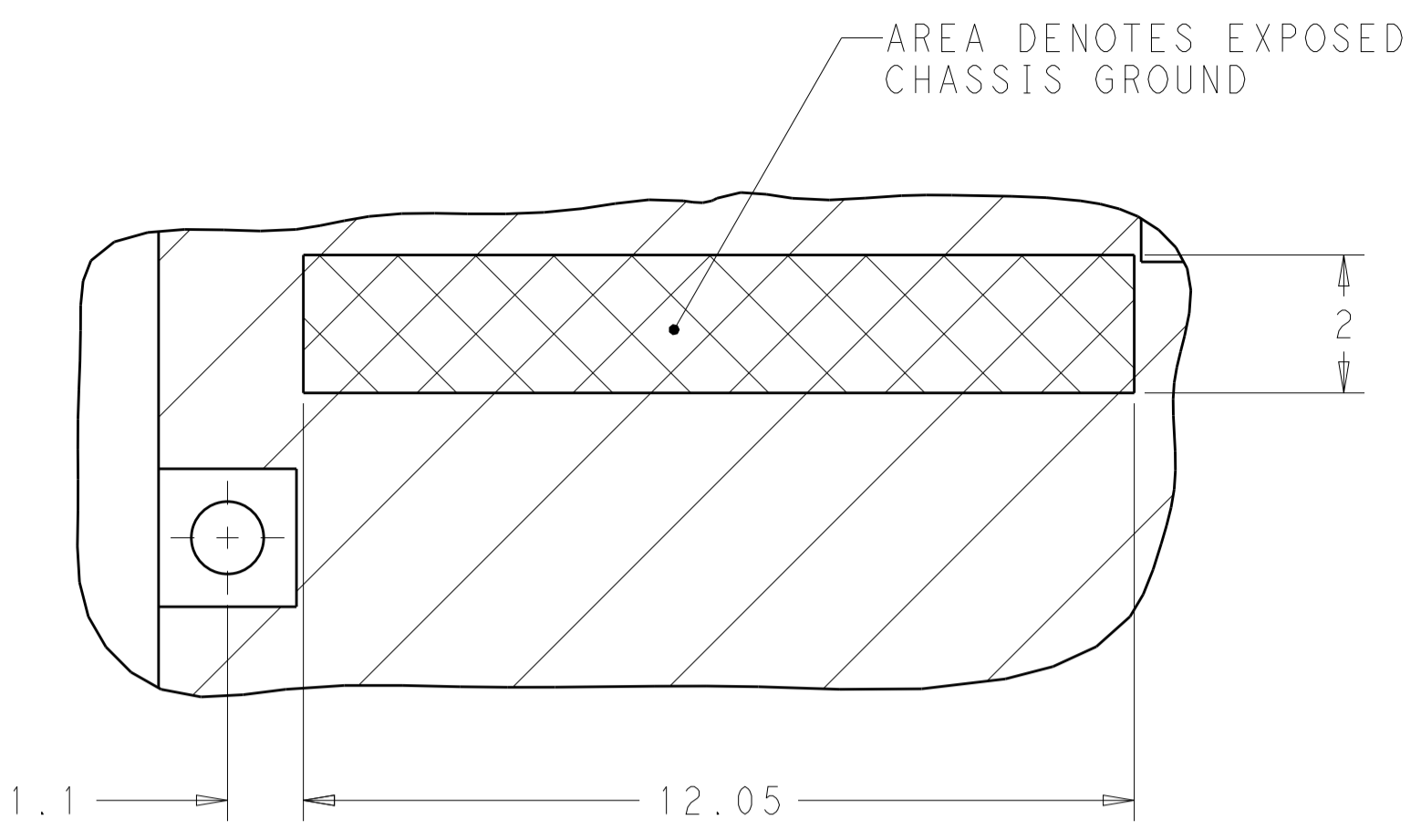


DETAIL W
SCALE 10:1

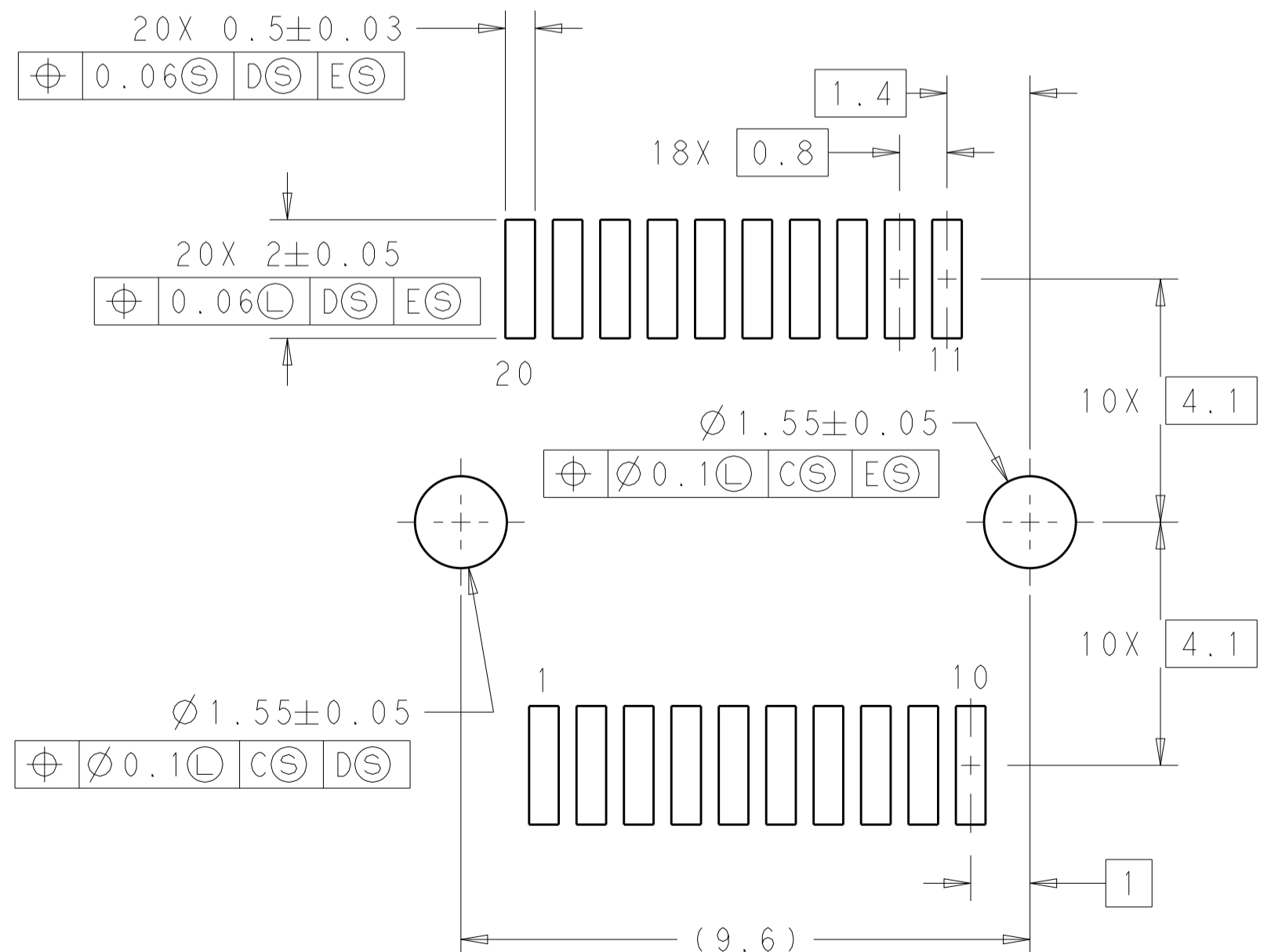
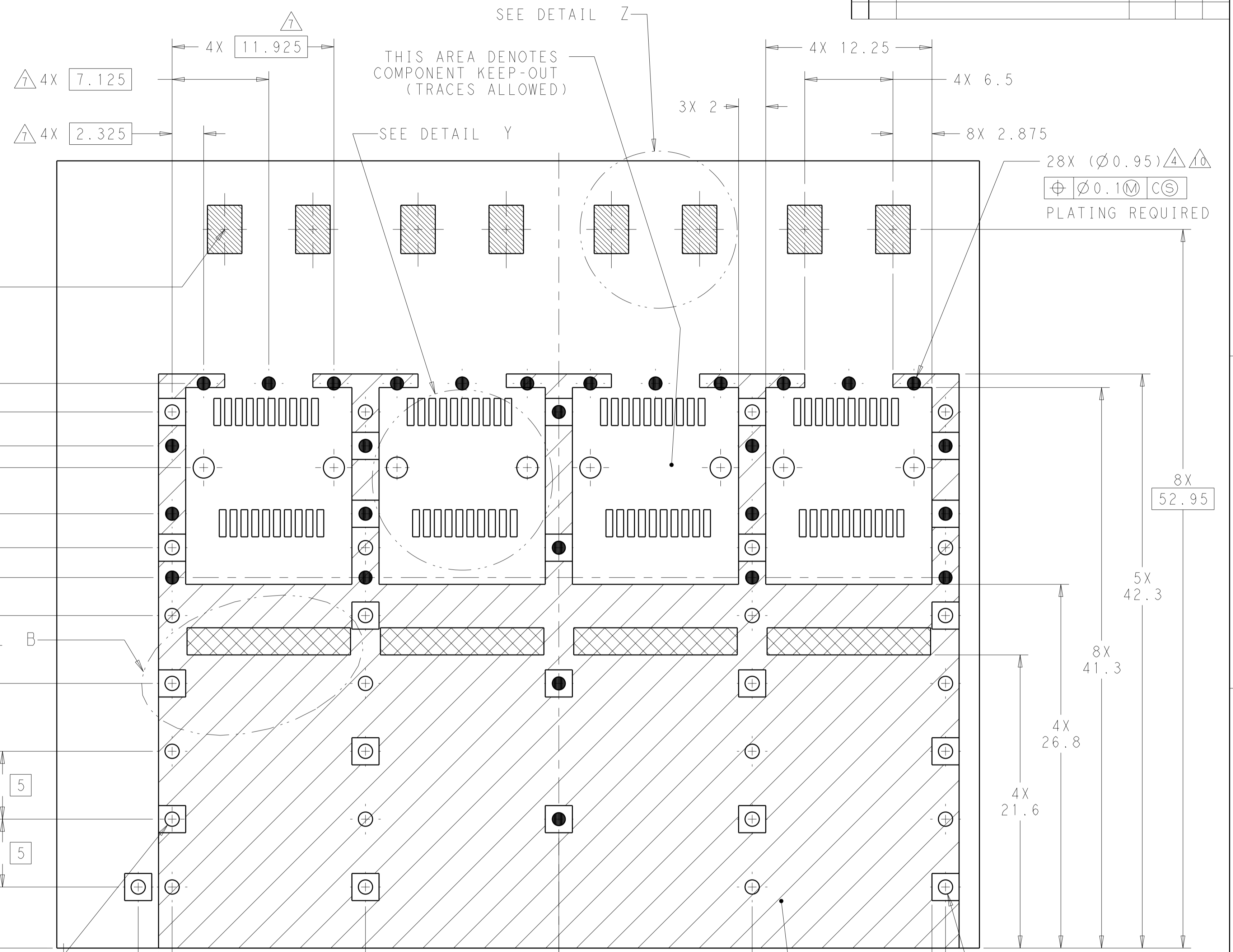
THIS DRAWING IS A CONTROLLED DOCUMENT.		OWN: B. MATTHEWS 17AUG2010	TE Connectivity
		CHK: M. SCHMITT 17AUG2010	
DIMENSIONS: mm		APVD: M. SCHMITT 17AUG2010	NAME: SFP+ ENHANCED 1X4 CAGE ASSEMBLY PRESS FIT, EXTERNAL EMI SPRINGS
TOLERANCES UNLESS OTHERWISE SPECIFIED:		PRODUCT SPEC: 108-2364	
0 PLC ±0.1		APPLICATION SPEC: 114-13120	SIZE: CAGE CODE DRAWING NO. RESTRICTED TO
1 PLC ±0.1		WEIGHT: A100779C=2149745	
2 PLC ±0.1		Customer Drawing	SCALE: 4:1 SHEET 3 OF 4 REV A
3 PLC ±0.1			
4 PLC ±0.1			
ANGLES ±0.1			
FINISH: #1*			

LOC	DIST	REV	DATE	BY	APPV
GP	00				

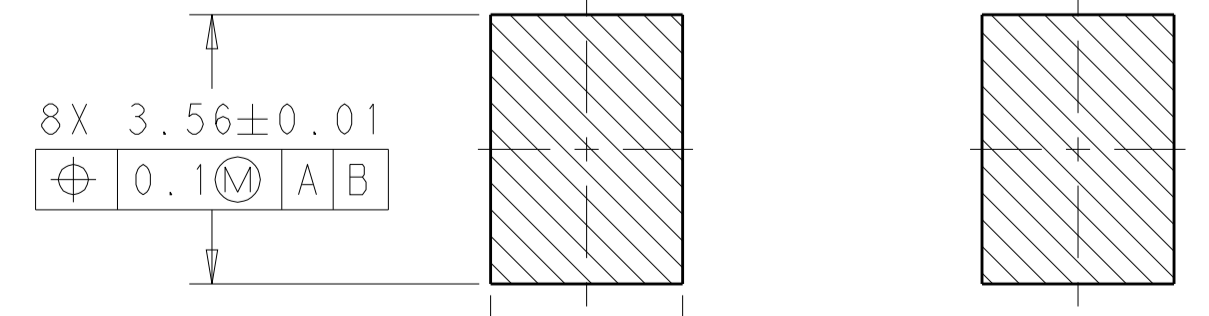
REVISIONS			
NO.	DESCRIPTION	DATE	BY
-	SEE SHEET 1	-	-



8X ϕ FOR LED PLACEMENT AND LIGHT PIPE COVERAGE AREA



DETAIL Y
RECOMMENDED PT CONNECTOR LAYOUT
8X INDIVIDUALLY
SCALE 10:1



DETAIL Z
SCALE 10:1

RECOMMENDED PCB CONFIGURATION WITH KEEP-OUT AREAS BELLY TO BELLY APPLICATIONS SCALE 5:1

CROSS-HATCHED AREA DENOTES COMPONENT AND TRACE KEEP-OUT (EXCEPT CHASSIS GROUND)

THIS DRAWING IS A CONTROLLED DOCUMENT.		OWN: B. MATTHEWS 17AUG2010	TE Connectivity
		CHK: M. SCHMITT 17AUG2010	
DIMENSIONS: mm		APVD: M. SCHMITT 17AUG2010	NAME: SFP+ ENHANCED 1X4 CAGE ASSEMBLY PRESS FIT, EXTERNAL EMI SPRINGS
TOLERANCES UNLESS OTHERWISE SPECIFIED:		PRODUCT SPEC: 108-2364	
0 PLC ±0.1		APPLICATION SPEC: 114-13120	SIZE: CAGE CODE DRAWING NO. RESTRICTED TO
1 PLC ±0.1		WEIGHT: -	
2 PLC ±0.1		Customer Drawing	SCALE: 4:1 SHEET 4 OF 4 REV A
3 PLC ±0.1			
4 PLC ±0.1			
ANGLES ±0.1			
FINISH: #1*			

单击下面可查看定价，库存，交付和生命周期等信息

[>>TE Connectivity\(泰科\)](#)