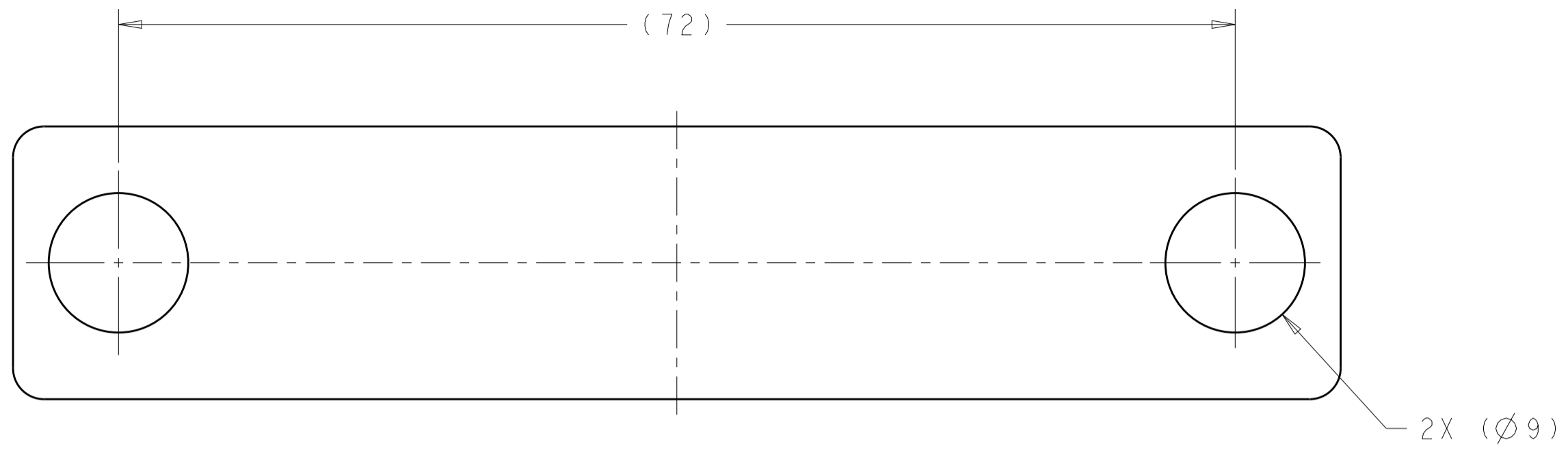
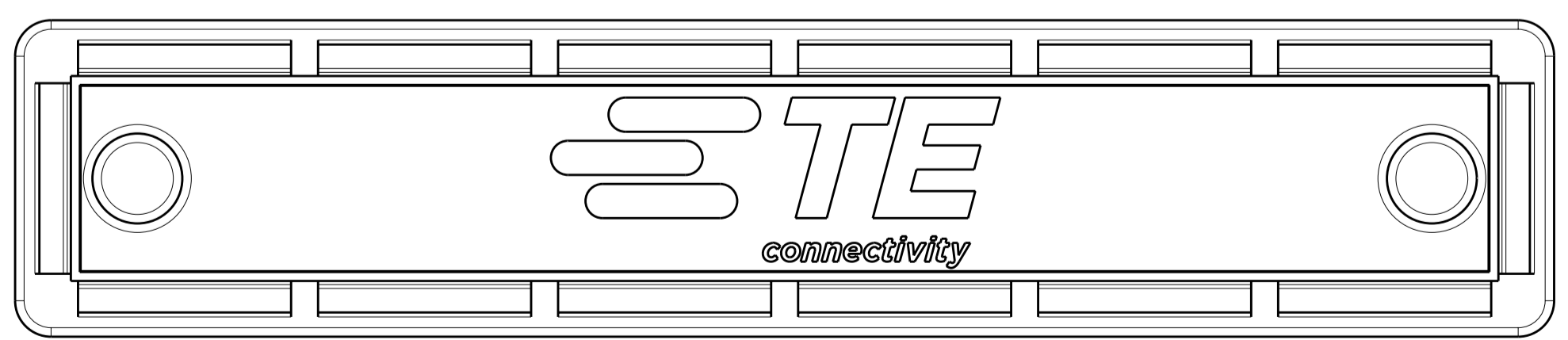
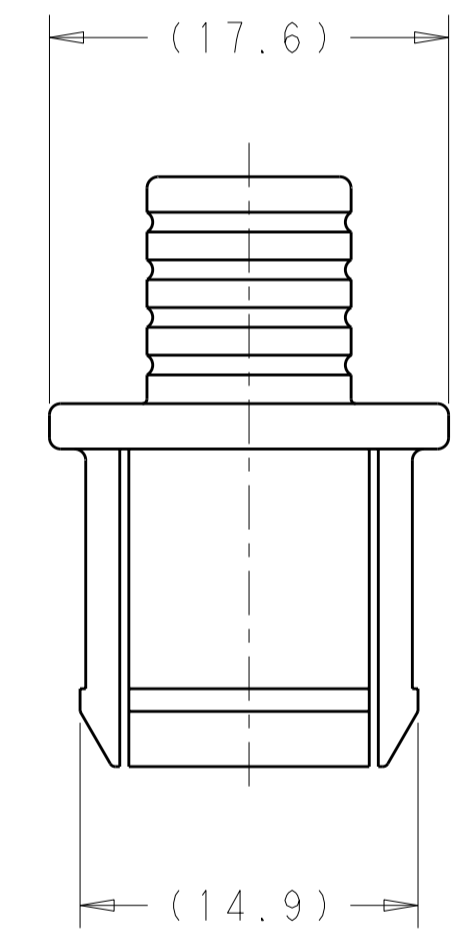
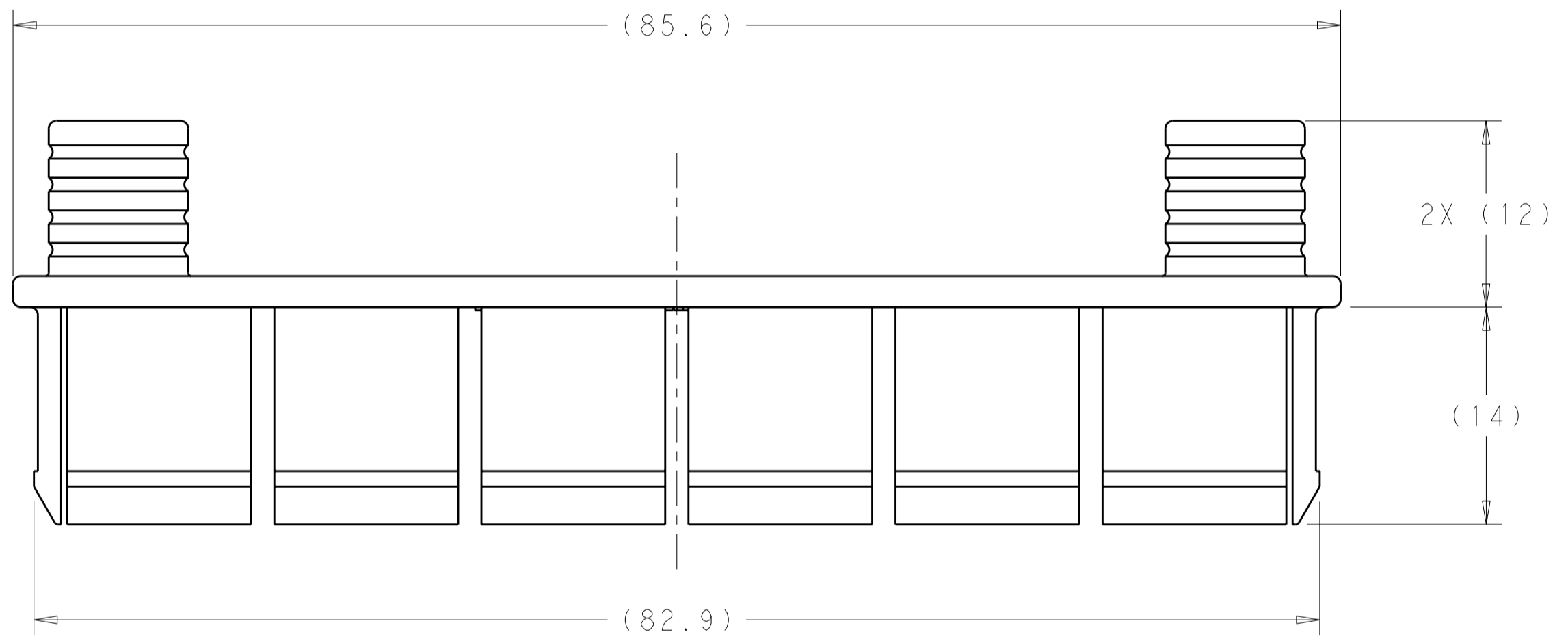
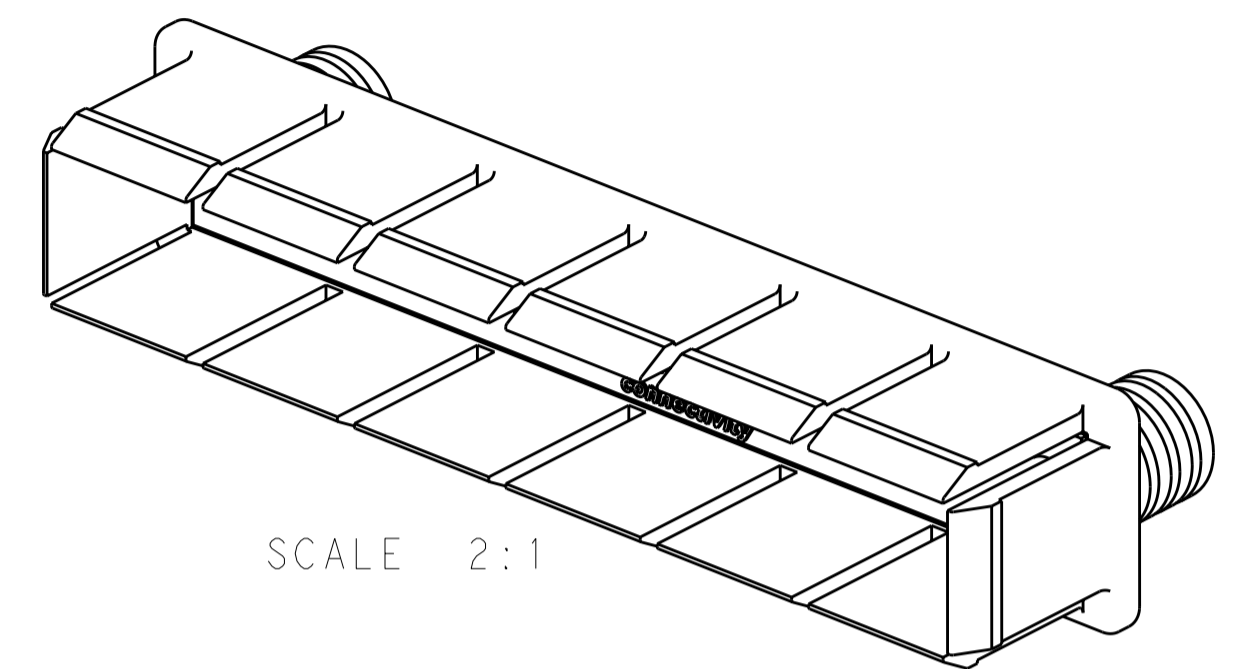


THIS DRAWING IS UNPUBLISHED. RELEASED FOR PUBLICATION 20
 © COPYRIGHT 20 BY - ALL RIGHTS RESERVED.

LOC	DIST	REVISIONS			
P	LTR	DESCRIPTION	DATE	DWN	APVD
GP	00	A	RELEASE PER ECO-11-020181	27OCT2011	CJV MRS



1 PC/ABS WITH CONDUCTIVE FILLER.



2149151-1
PART NUMBER

THIS DRAWING IS A CONTROLLED DOCUMENT.		DWN M. SHIRK 07JUN2010	STE TE Connectivity	
		CHK D. SZCZESNY 07JUN2010		
DIMENSIONS: mm		APVD -	NAME PLUG, EMI, CFP	
TOLERANCES UNLESS OTHERWISE SPECIFIED:		PRODUCT SPEC 108-2399	-	
0 PLC ±-		APPLICATION SPEC 114-13263	-	
1 PLC ±-		WEIGHT -	SIZE A200779	CAGE CODE C-2149151
2 PLC ±0.10		CUSTOMER DRAWING	SCALE 3:1	SHEET 1 OF 1
3 PLC ±-			RESTRICTED TO -	REV A
4 PLC ±-				
ANGLES ±-				
FINISH ±-				

单击下面可查看定价，库存，交付和生命周期等信息

[>>TE Connectivity\(泰科\)](#)