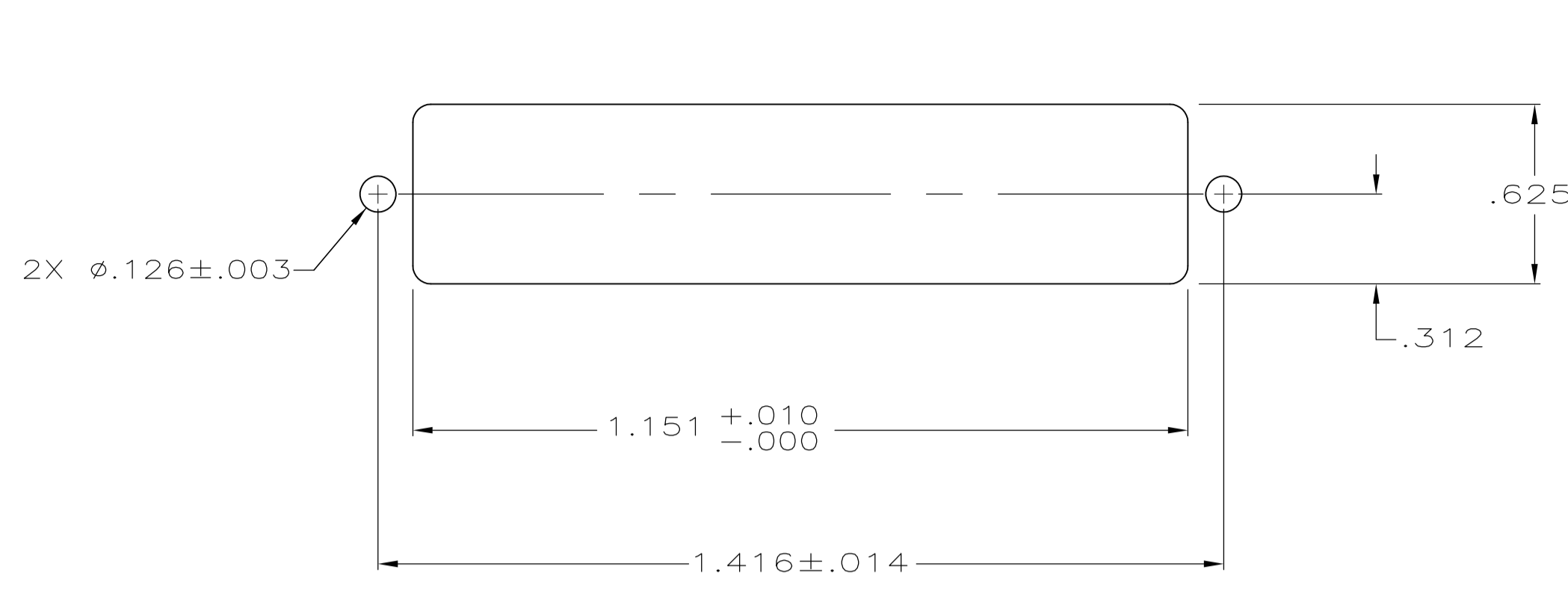
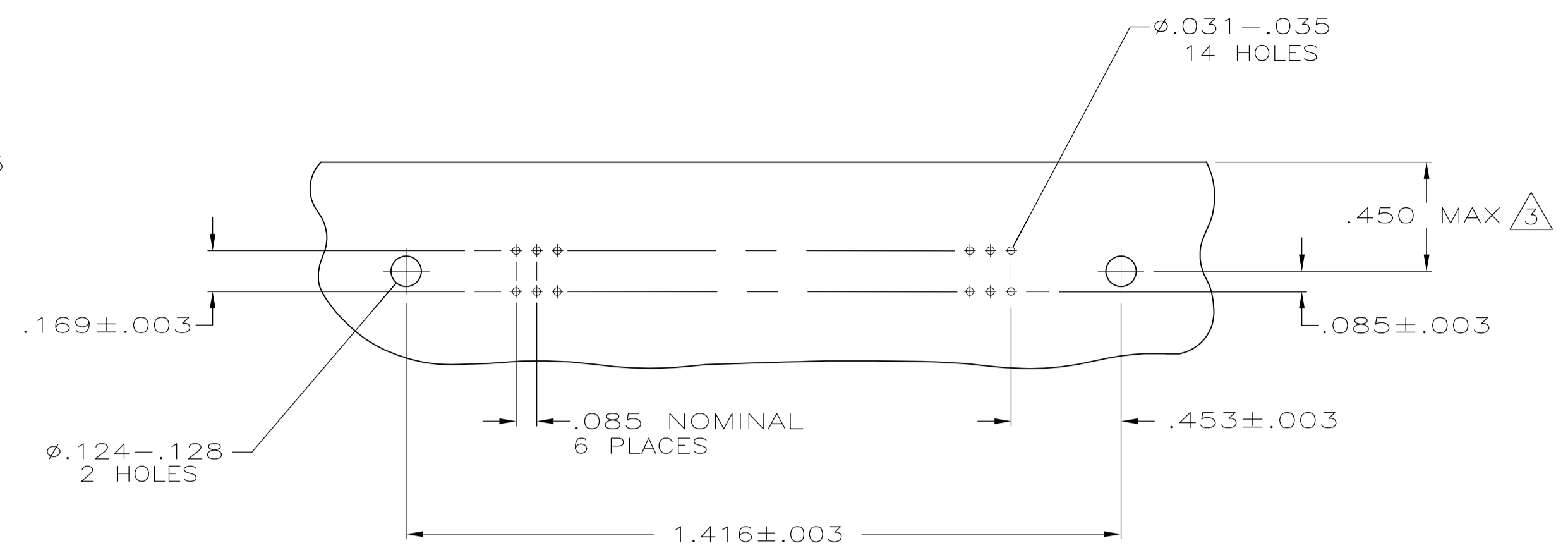


LOC	DIST	REVISIONS			
GP	00	REV	DESCRIPTION	DATE	BY
B		1	REVISED PER ECO-08-007327	08APR08	BM WM
B1		1	REVISED PER ECO-09-024927	07NOV09	KK AEG

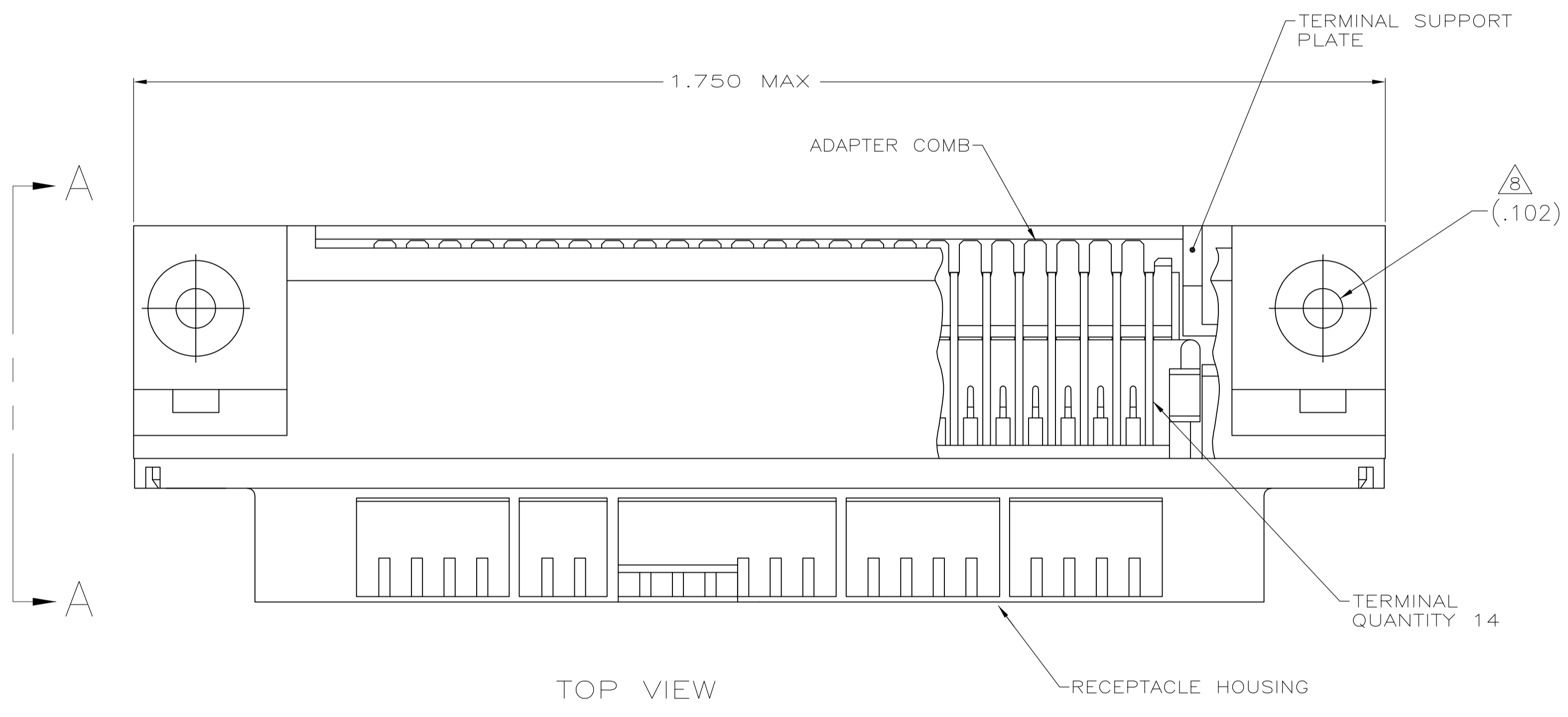


SUGGESTED REAR PANEL MOUNTING CUTOUT DIMENSIONS SCALE 2:1

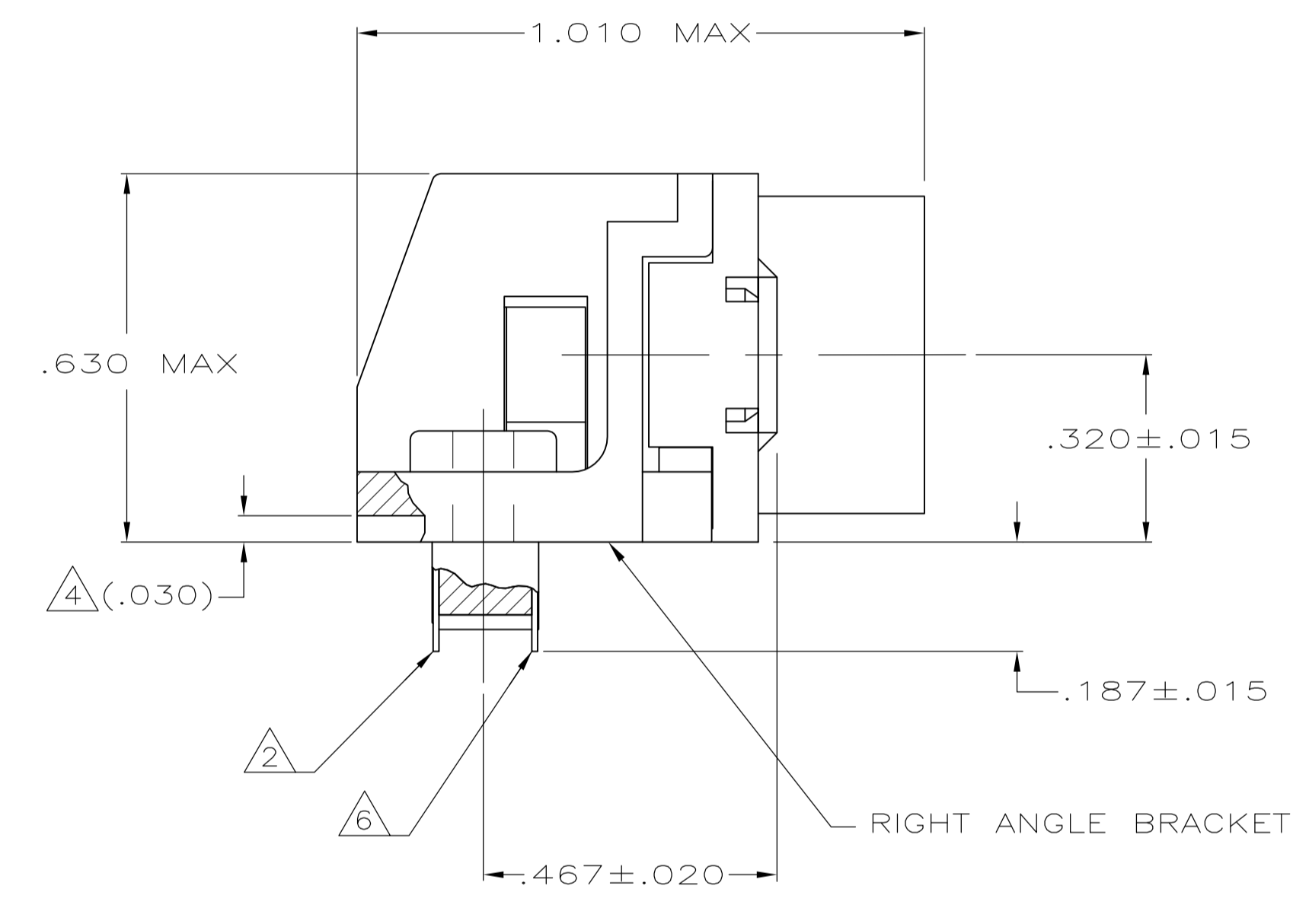


SUGGESTED PRINTED CIRCUIT BOARD MOUNTING DIMENSIONS SCALE 2:1

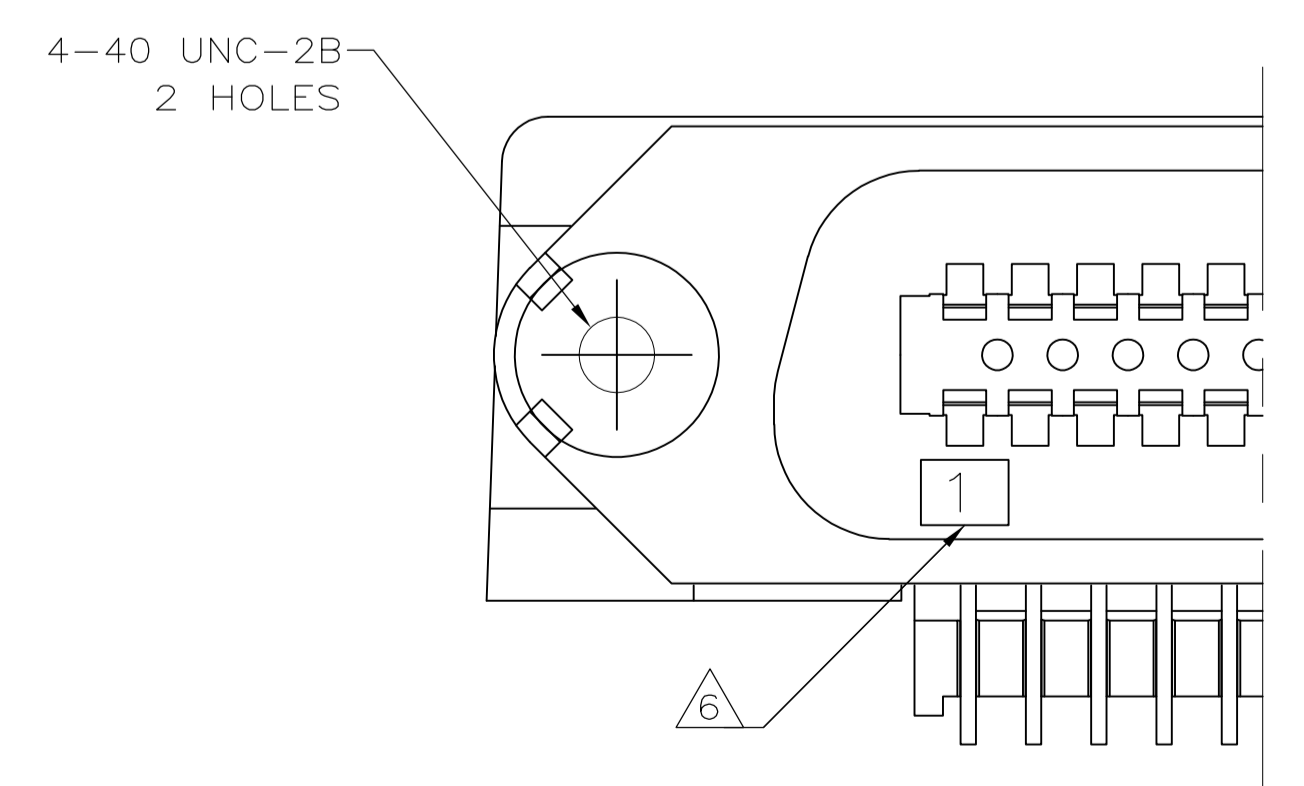
- 1 MATERIAL: HOUSING, BRACKET, PLATE & COMB - THERMOPLASTIC, BLACK, 94V-0 RATED. TERMINALS - HIGH STRENGTH COPPER ALLOY PLATED WITH EITHER .000030 MIN GOLD PLATE OR GOLD FLASH OVER PALLADIUM NICKEL PLATE, .000030 MIN TOTAL ON MATING SURFACE. .000120 MIN TIN PLATE ON TAILS. ALL OVER .000050 MIN NICKEL UNDERPLATE OVER ENTIRE TERMINAL.
- 2 TERMINAL 1 IS LOCATED IN THIS ROW FOR STANDARD ORIENTATION, 5552738-1 ONLY.
- 3 MAXIMUM DIMENSION FOR REAR PANEL MOUNTING.
- 4 TERMINAL SUPPORT PLATE CLEARANCE FOR TERMINAL STRAIN RELIEF AND FLUX REMOVAL.
- 5 MAXIMUM PANEL THICKNESS: .062.
- 6 TERMINAL 1 IS LOCATED IN THIS ROW FOR REVERSE ORIENTATION, 5552738-2 ONLY.
- 7 DETAILS "A" AND "B" ARE VIEWED FROM MATING SIDE OF RECEPTACLE ASSEMBLY.
- 8 FOR USE WITH A NO.4 BT TYPE SELF-TAPPING SCREW.
- 9 OBSOLETE PARTS: OBSOLETE CIS STREAMLINING PER D.RENAUD/D.SINISI



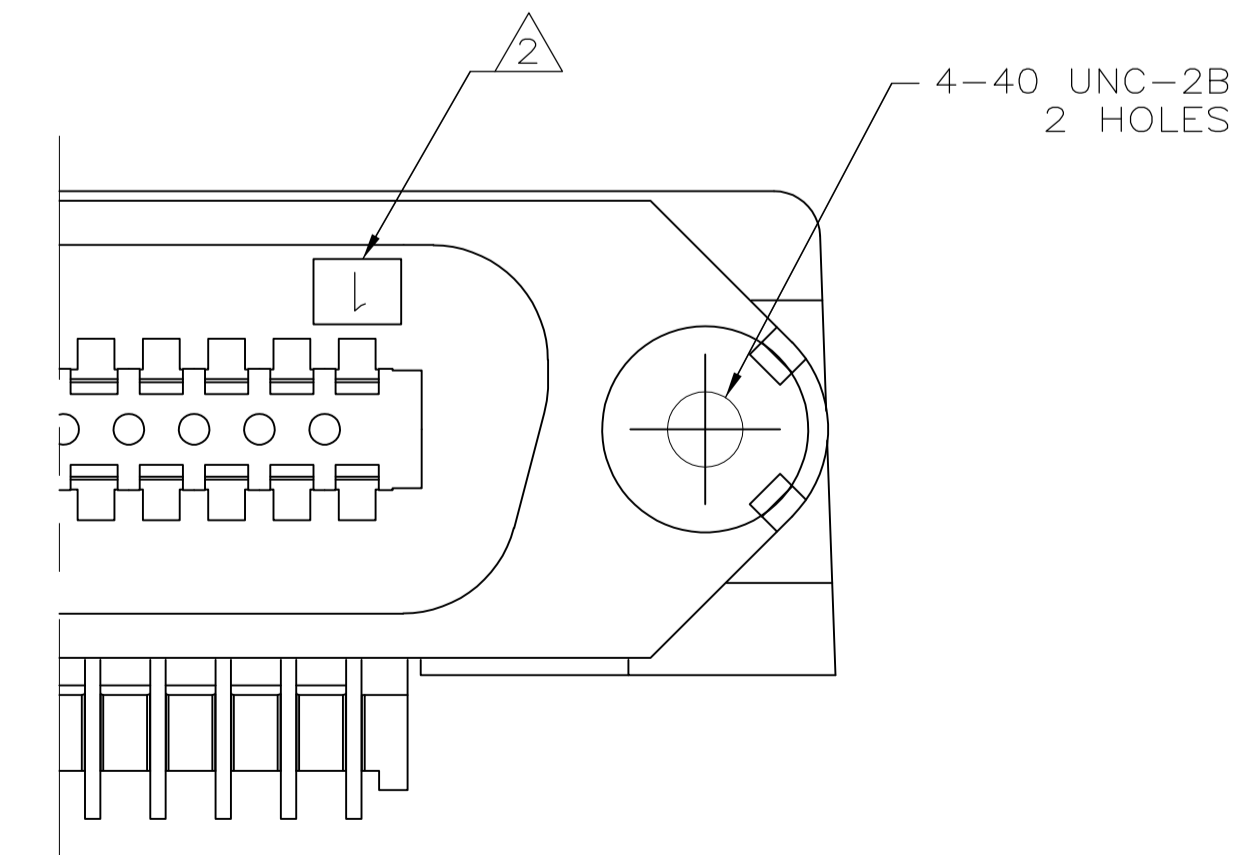
TOP VIEW



SIDE VIEW A-A



DETAIL B REVERSE ORIENTATION



DETAIL A STANDARD ORIENTATION

TYPE OF MOUNTING	DESCRIPTION	PART NUMBER
SELF TAPPING	SEE DETAIL B	5552738-2
SELF TAPPING	SEE DETAIL A	5552738-1

THIS DRAWING IS A CONTROLLED DOCUMENT.		DIN: B. MCMASTER 15AUG05	Tyco Electronics Corporation	
DIMENSIONS: INCHES		CHK: W. MILLHIMES 15AUG05	Harrisburg, PA 17105-3608	
TOLERANCES UNLESS OTHERWISE SPECIFIED:		APP'D: M. WALMSLEY 15AUG05	NAME: RECEPTACLE ASSEMBLY, 14 POSITION, RIGHT ANGLE, PRINTED CIRCUIT BOARD, (CHAMP-LOK, SELF TAPPING)	
0. PLC	± .005	SIZE	A1	RESTRICTED TO
1. PLC	± .005	WEIGHT	00779	SCALE 4:1 SHEET 1 OF 1 REV B1
2. PLC	± .005	CUSTOMER DRAWING		
3. PLC	± .005			
4. PLC	± .005			
ANGLES	± .005			

单击下面可查看定价，库存，交付和生命周期等信息

[>>TE Connectivity\(泰科\)](#)