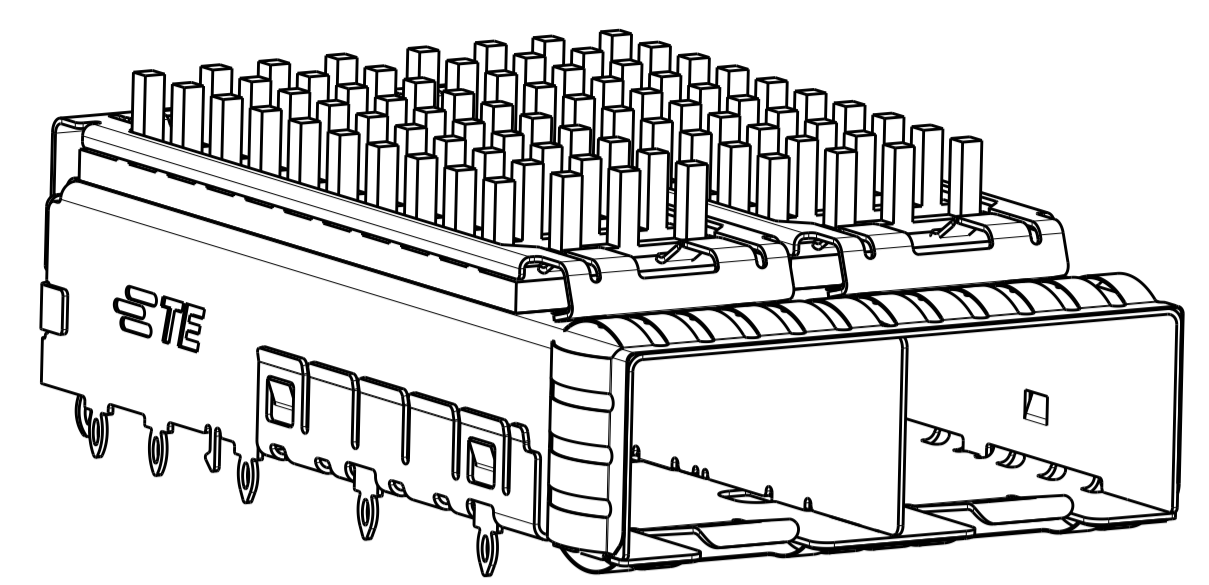
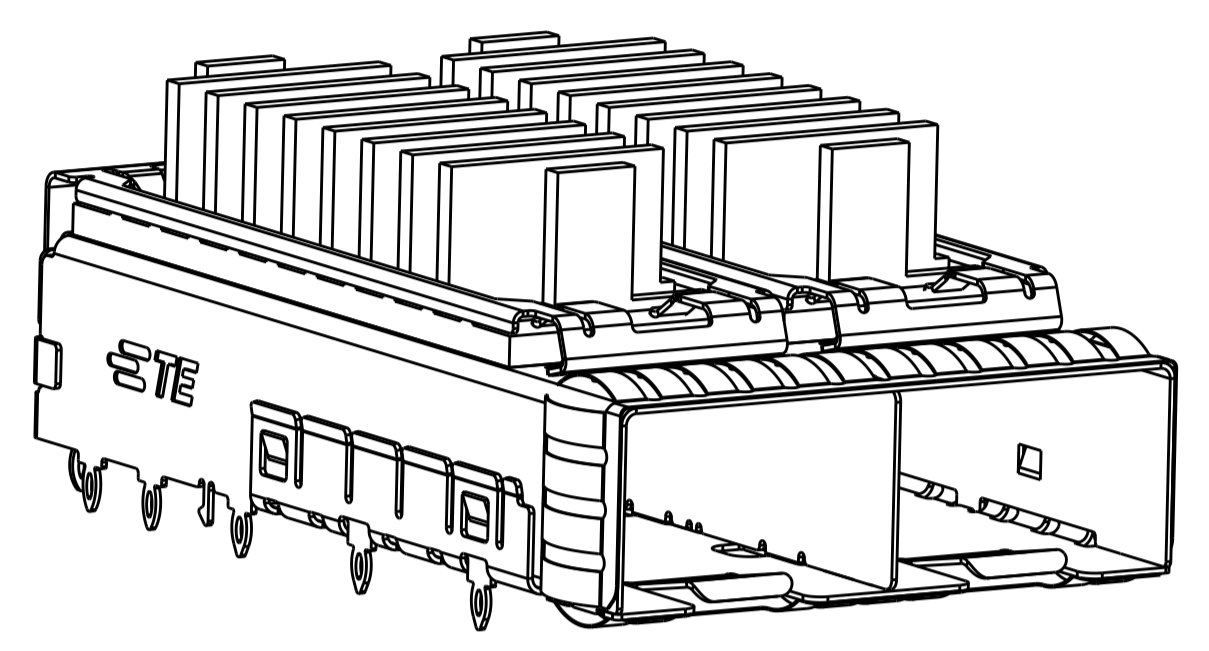


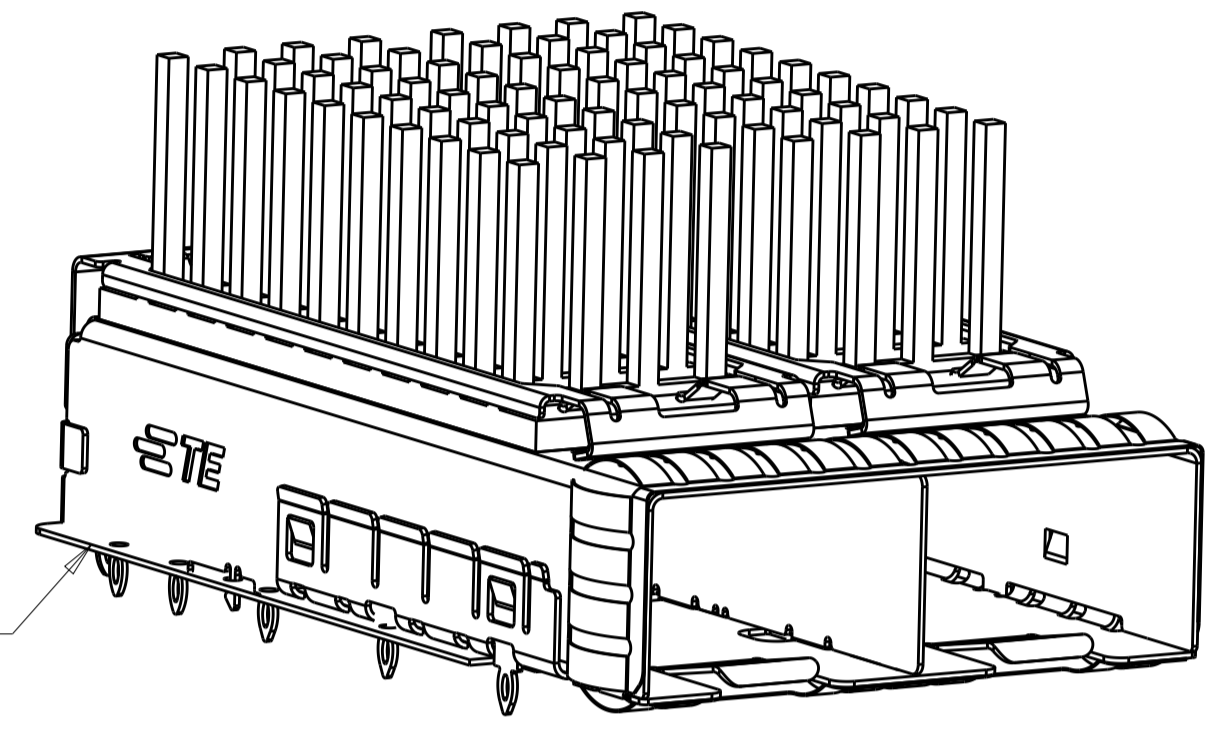
LOC	DIST	REVISIONS					
GP	00	P	LTN	DESCRIPTION	DATE	DWN	APVD
		B		REVISED PER ECR-18-002882	27FEB2018	IT	SH



2198230-1, 2, 3, 4
 FINISHED ASSEMBLY WITH
 PIN TYPE HEAT SINK



2198230-5, 6, 7, 8
 FINISHED ASSEMBLY WITH
 FIN TYPE HEAT SINK



PCB GASKET

1-2198230-4
 FINISHED ASSEMBLY WITH
 PIN TYPE HEAT SINK, WITH BELLY GASKET

△ MATERIAL:
 CAGE ASSEMBLY:
 0.25mm THICK NICKEL SILVER ALLOY
 EMI SPRINGS: COPPER ALLOY
 HEAT SINK: ALUMINUM
 HEAT SINK CLIP: STAINLESS STEEL.

△ FINISH:
 HEAT SINK: ELECTROLESS NICKEL
 HEAT SINK CLIP: PASSIVATE.
 EMI SPRINGS: 0.8µm MIN MATTE TIN OVER
 0.8µm MIN NICKEL, NON-PLATED EDGES PERMISSIBLE.

△ DATUM AND BASIC DIMENSIONS ESTABLISHED BY CUSTOMER.

△ PADS AND VIAS CHASSIS GROUND.

5. MATES WITH SFP MSA COMPLIANT RECIEVERS.

6. INTERPRETATION OF DATUM REFERENCE FRAME IN ACCORDANCE WITH SECT 4.4.1.1 OR ASME Y14.5M-1994.

△ MINIMUM PC BOARD THICKNESS:
 SINGLE SIDED: 1.5mm
 DOUBLE SIDED: 2.25mm

△ HOLE PATTERN REPEATS FOR EACH PORT, SPACING BETWEEN PORTS IS 14.25mm.

△ REFERENCE APPLICATION SPEC. 114-13120, HOLE A, FOR RECOMMENDED DRILL HOLE DIAMETER AND PLATING THICKNESS.

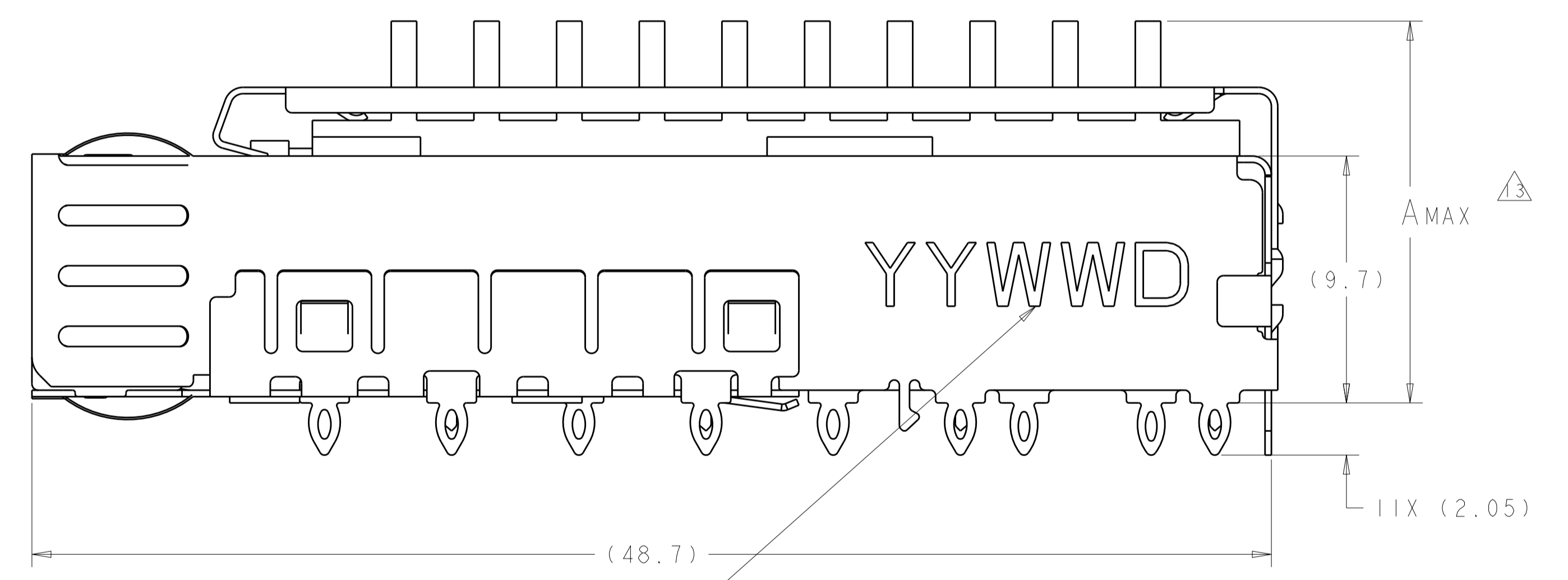
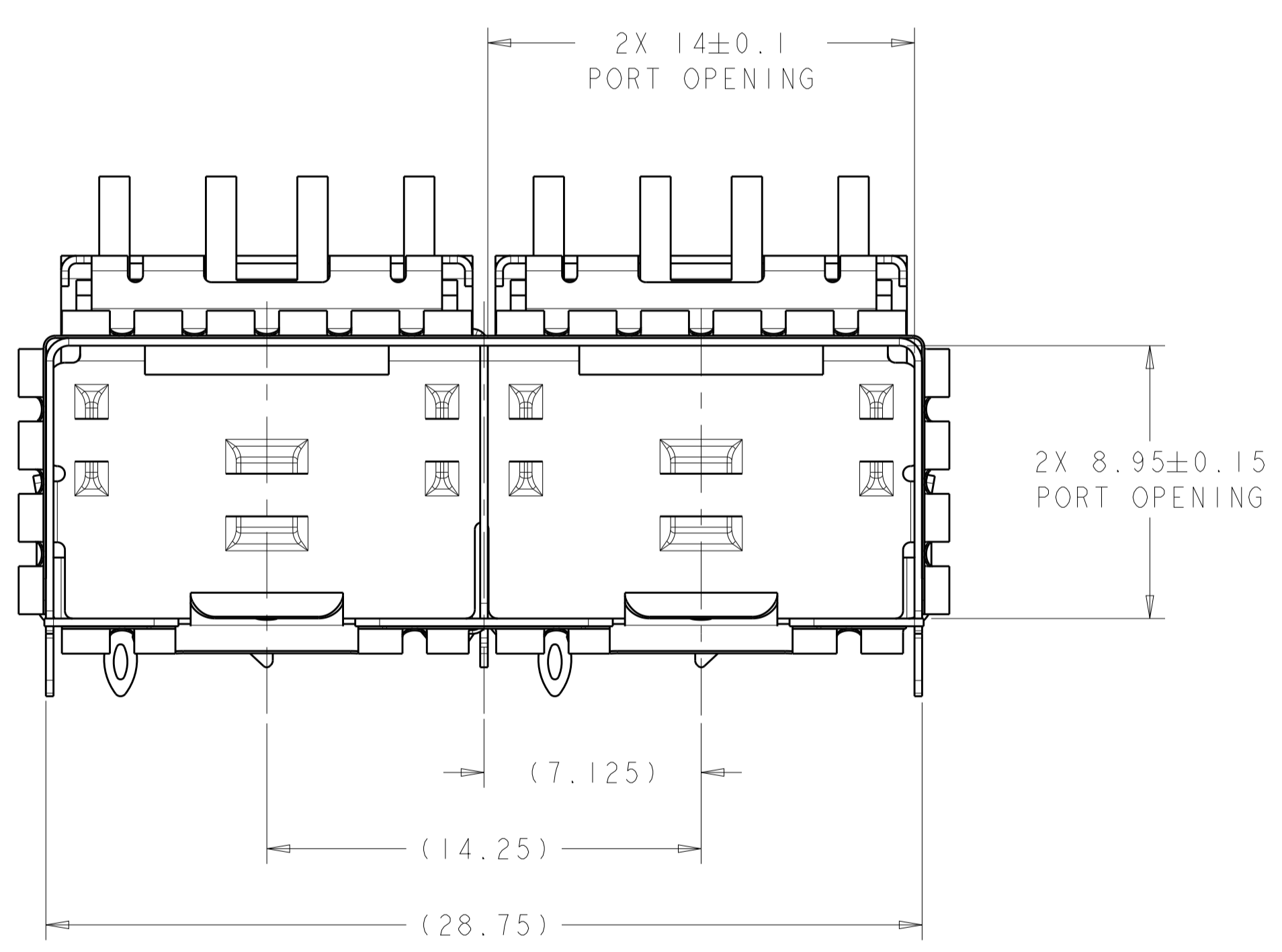
△ REFERENCE APPLICATION SPEC. 114-13120, HOLE B, FOR RECOMMENDED DRILL HOLE DIAMETER AND PLATING THICKNESS.

11. CERTAIN MATING TRANCEIVERS MAY REQUIRE ADDITIONAL PCB THICKNESS THAT WOULD NEED TO BE DETERMINED BY THE CUSTOMER.

12. PRODUCT COMPLIES WITH SPECIFICATION SFF-8433 IMPROVED PLUGGABLE FORM FACTOR FOR SFP+ GANGED CAGES.

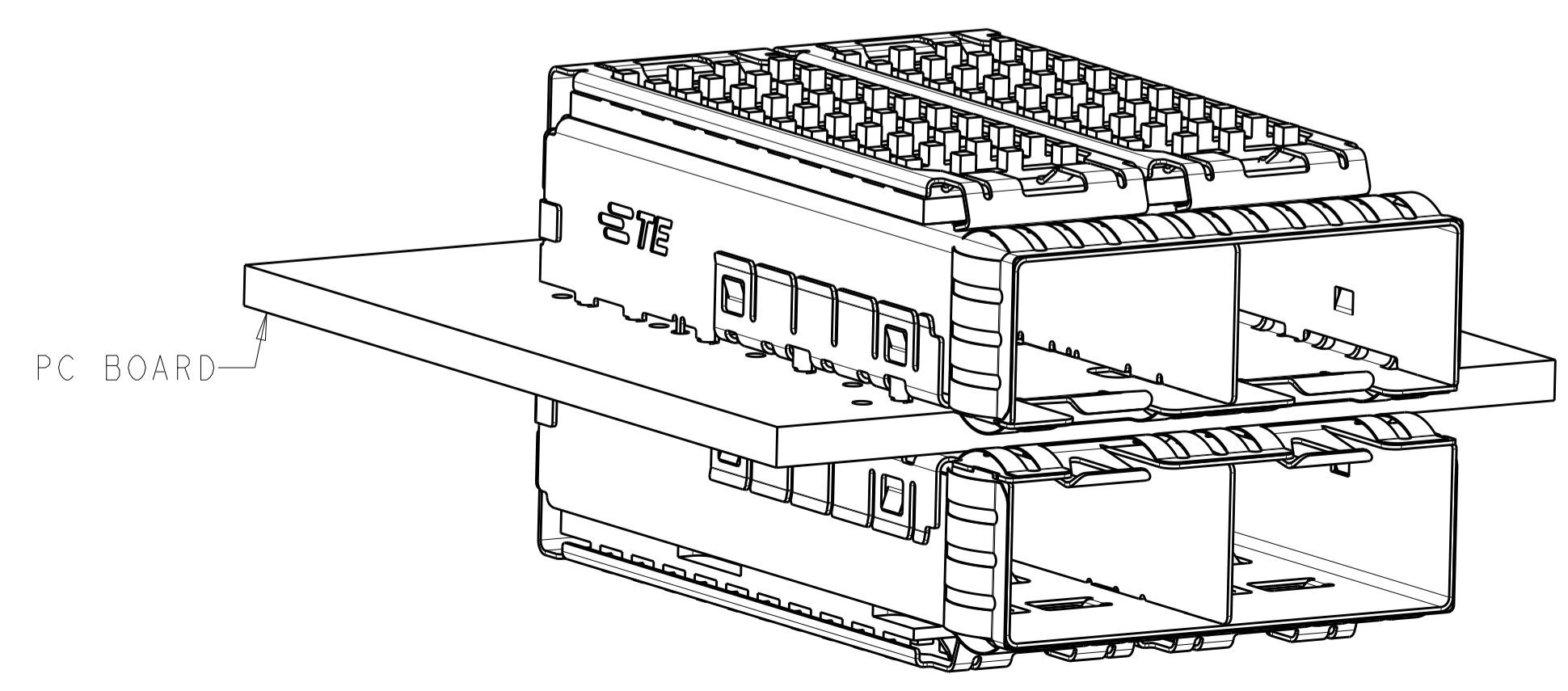
△ DIMENSION APPLIES PRIOR TO INSERTION OF SFP MODULE.

△ WITH BELLY GASKET: RF ABSORBER



APPROXIMATE LOCATION OF DATE CODE

FIN TYPE	22.5	NETWORKING, TALL	2198230-8
FIN TYPE	18.1	NETWORKING, SHORT	2198230-7
FIN TYPE	15.5	SAN	2198230-6
FIN TYPE	13.2	PCI	2198230-5
PIN TYPE	22.5	NETWORKING, TALL	1-2198230-4
PIN TYPE	22.5	NETWORKING, TALL	2198230-4
PIN TYPE	18.1	NETWORKING, SHORT	2198230-3
PIN TYPE	15.5	SAN	2198230-2
PIN TYPE	13.2	PCI	2198230-1
HEAT SINK	A	DESCRIPTION	PART NUMBER



PC BOARD

2198230-1
 MOUNTED BELLY TO BELLY
 SCALE 3:1

THIS DRAWING IS A CONTROLLED DOCUMENT.

DIMENSIONS: mm

TOLERANCES UNLESS OTHERWISE SPECIFIED:

0 PLC	±0.13
1 PLC	±0.1
2 PLC	±0.08
3 PLC	±0.05
4 PLC	±0.05
ANGLES	±0.5

MATERIAL: △ FINISH: △

Customer Drawing

OWN: C. VALENTINE 06OCT2011
 CHK: M. SCHMITT 06OCT2011
 APVD: M. SCHMITT 06OCT2011

PRODUCT SPEC: 108-2364
 APPLICATION SPEC: 114-13120

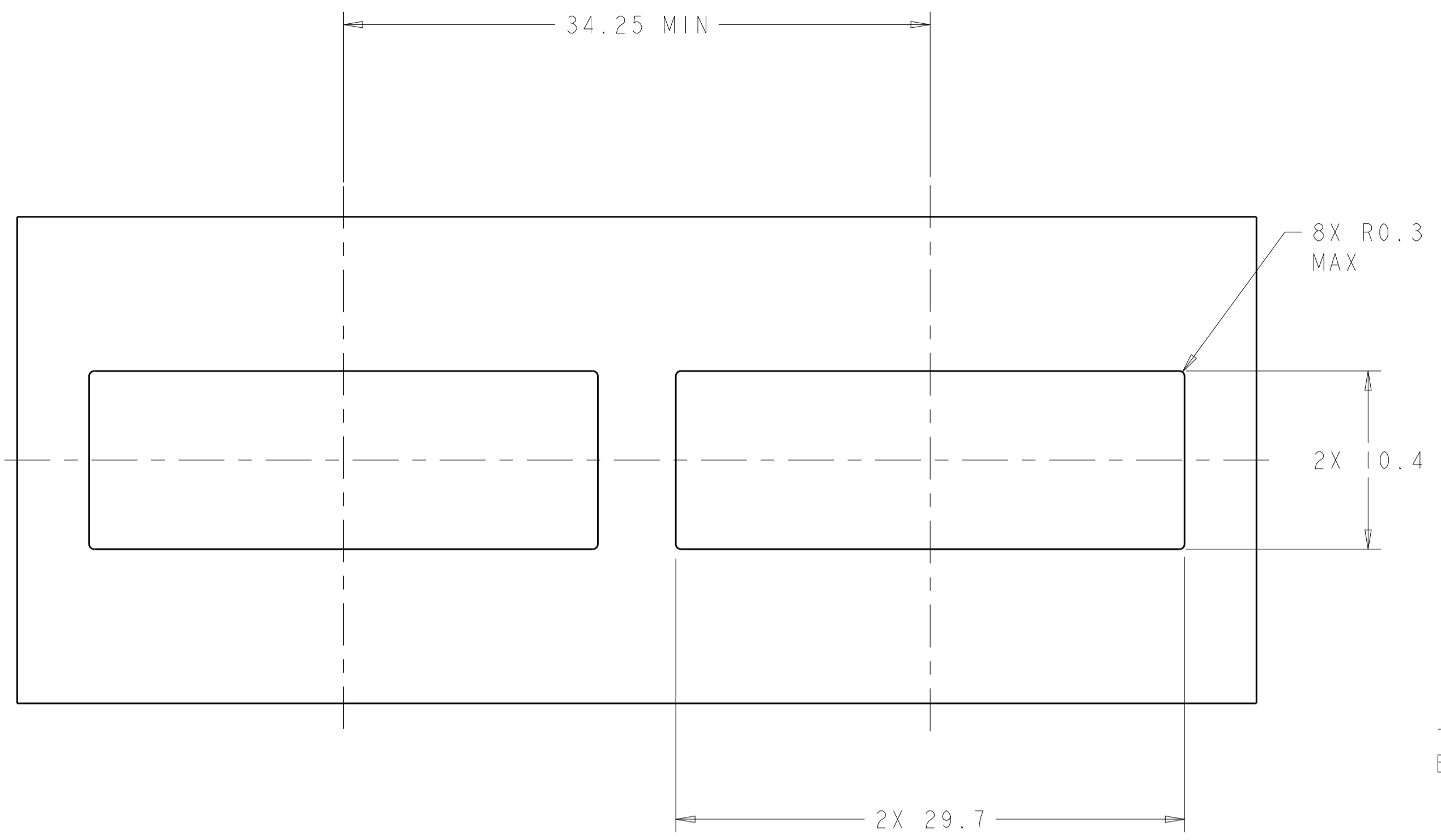
NAME: SFP+ ENHANCED 1X2 CAGE ASSEMBLY, PRESS-FIT, EMI SPRINGS, HEAT SINK

SIZE: A1
 CAGE CODE: 00779
 DRAWING NO: C=2198230

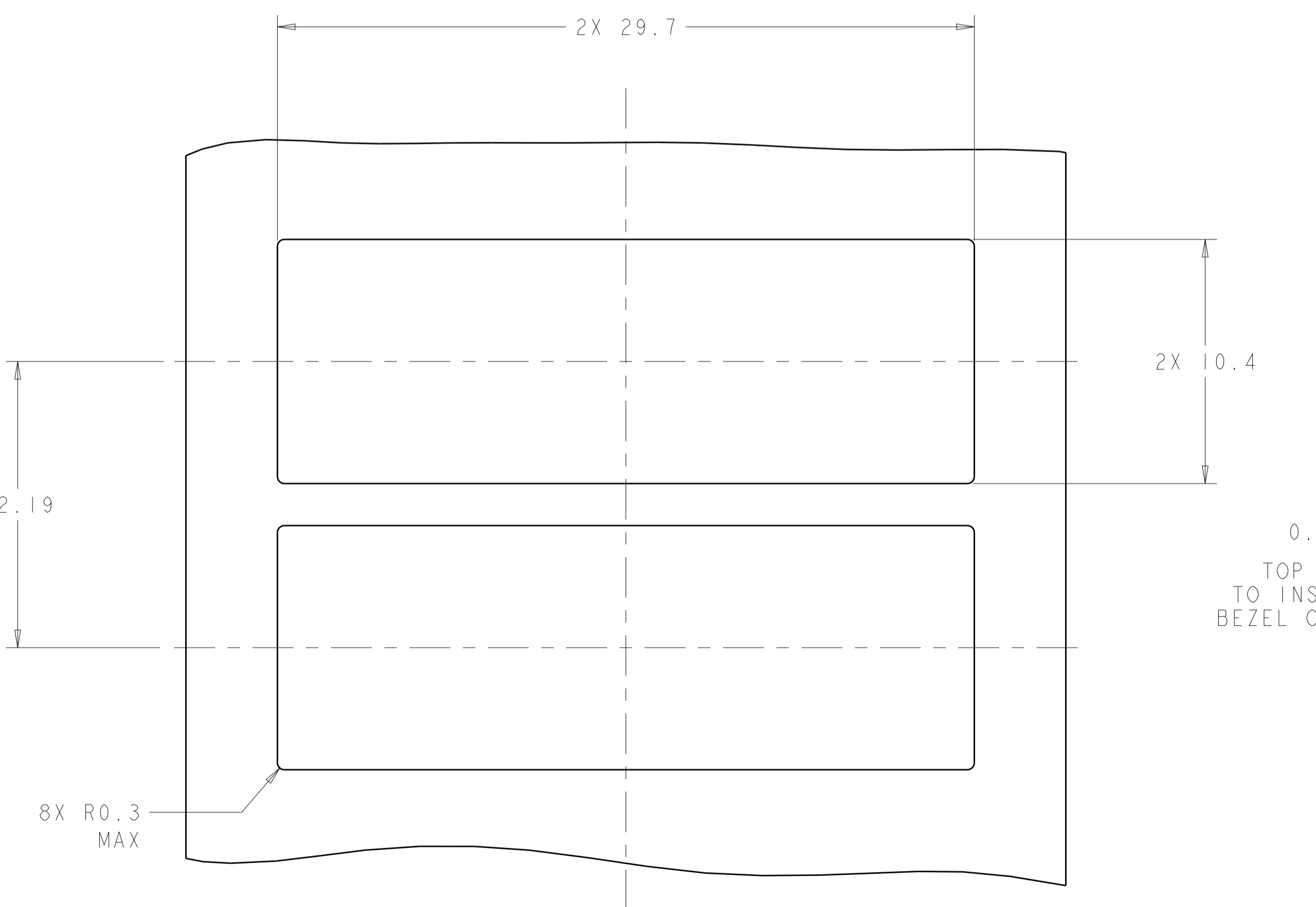
RESTRICTED TO: -

SCALE: 2:1 SHEET 1 OF 4 REV B

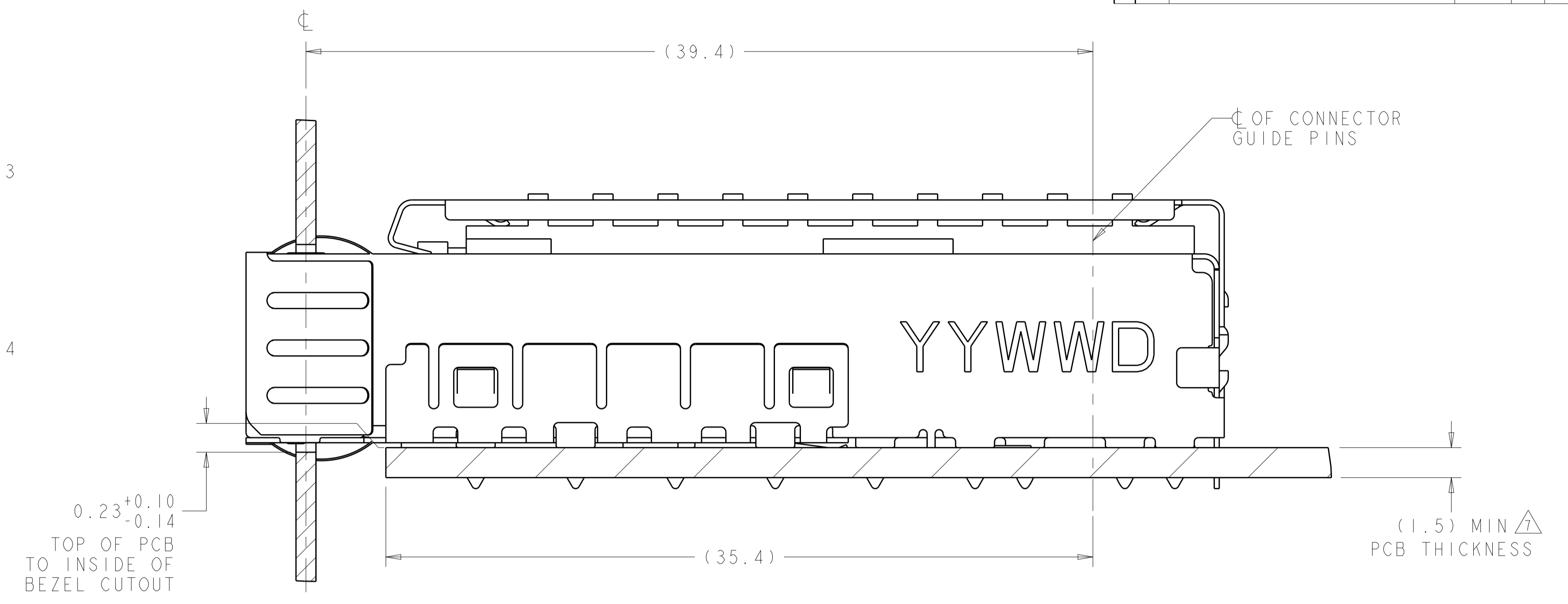
LOC		DIST		REVISIONS			
GP	00	P	LTH	DESCRIPTION	DATE	DMN	APVD
		-	-	SEE SHEET 1	-	-	-



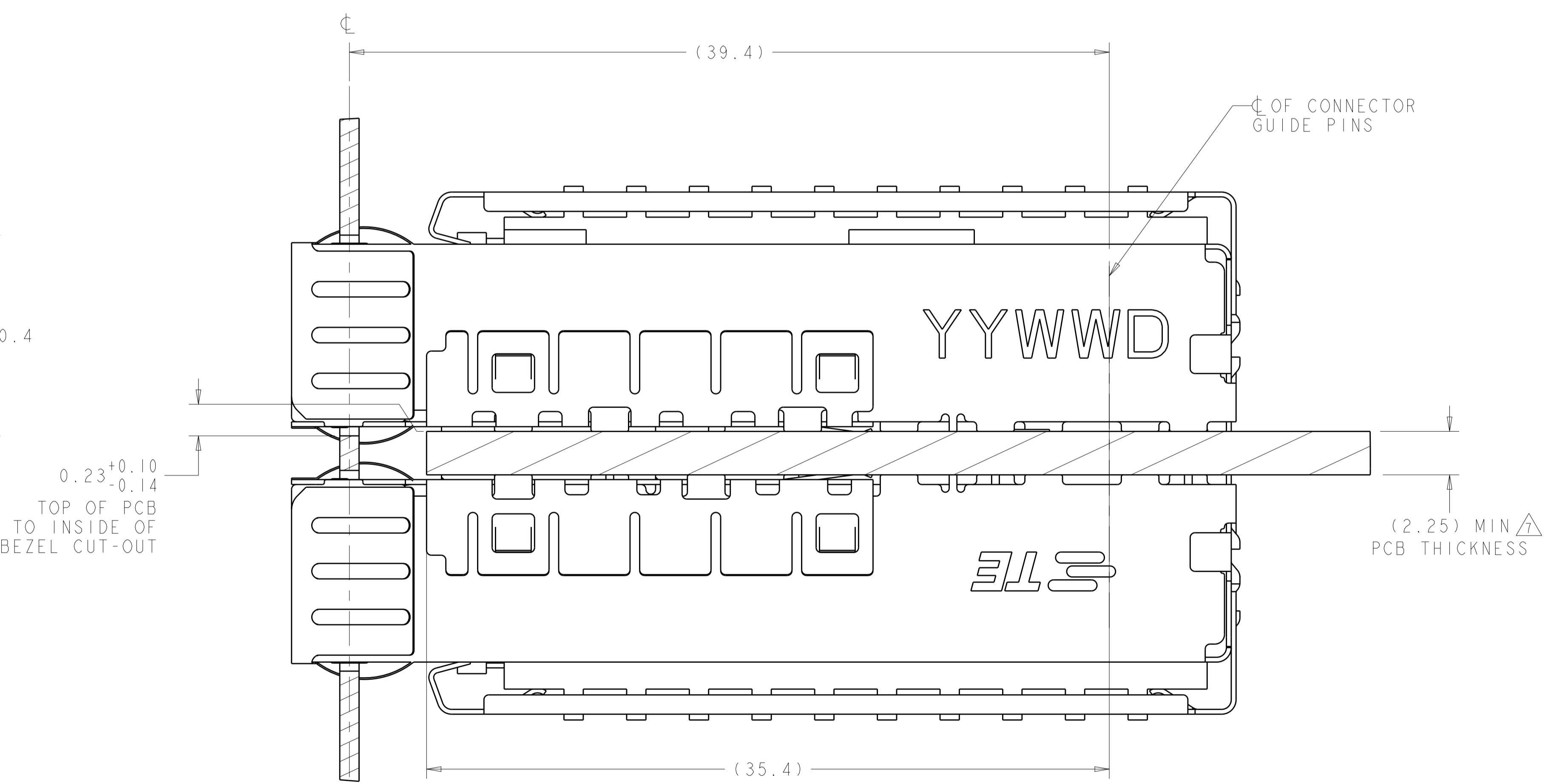
RECOMMENDED BEZEL CUT-OUT
 SINGLE SIDED APPLICATIONS
 SCALE 4:1



RECOMMENDED BEZEL CUT-OUT
 BELLY TO BELLY APPLICATIONS



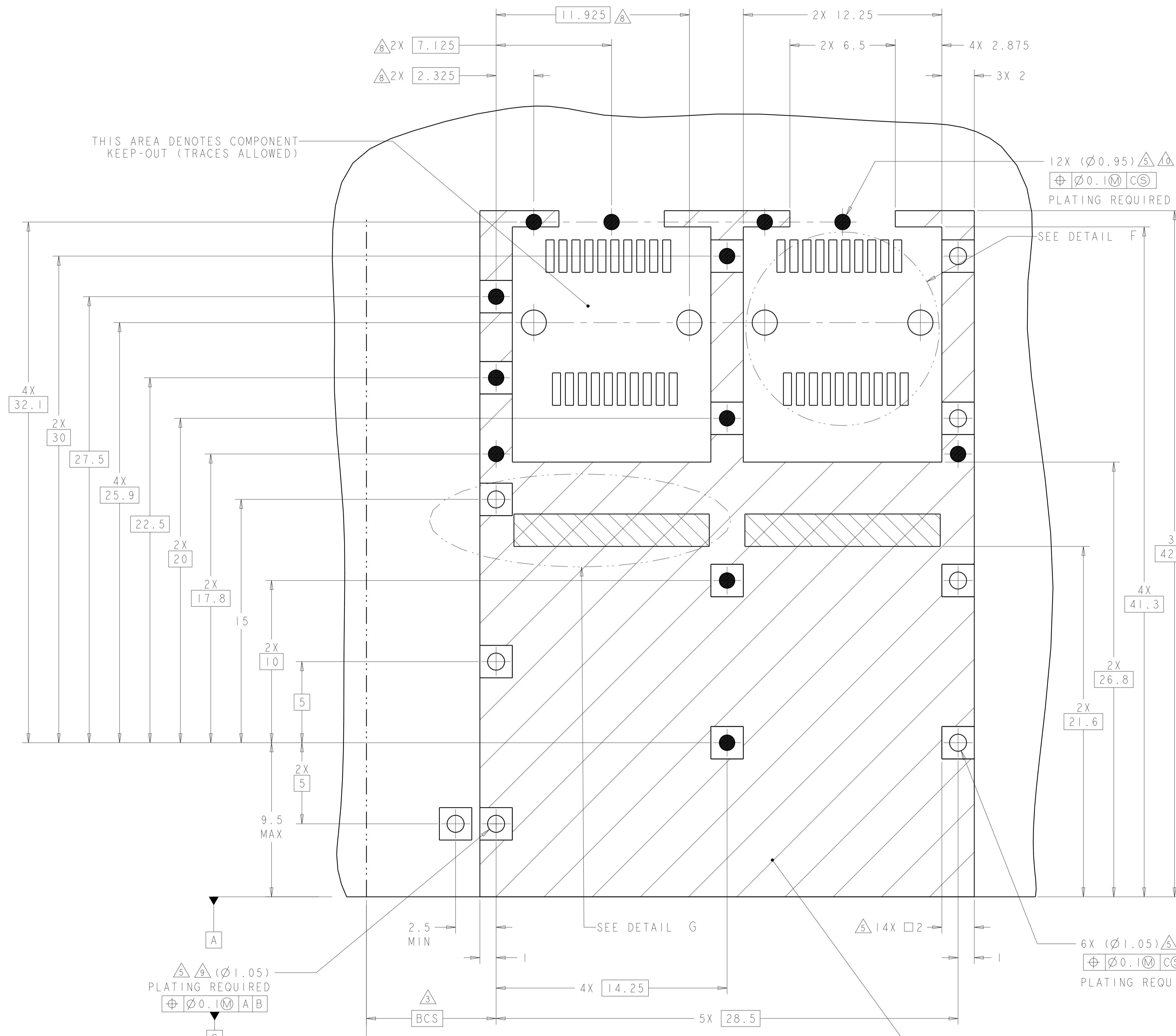
2198230-1
 MOUNTED ON PC BOARD
 SHOWN THRU RECOMMENDED BEZEL



2198230-1
 MOUNTED BELLY TO BELLY ON PC BOARD
 SHOWN THRU RECOMMENDED BEZEL

THIS DRAWING IS A CONTROLLED DOCUMENT.		DMN C. VALENTINE 06OCT2011	TE Connectivity NAME SFP+ ENHANCED 1X2 CAGE ASSEMBLY, PRESS-FIT, EMI SPRINGS, HEAT SINK
DIMENSIONS:		CHK M. SCHMITT 06OCT2011	
TOLERANCES UNLESS OTHERWISE SPECIFIED:		APVD M. SCHMITT 06OCT2011	SIZE CAGE CODE DRAWING NO A100779C=2198230
mm	0 PLC ±0.13	PRODUCT SPEC	RESTRICTED TO
	1 PLC ±0.1	108-2364	
	2 PLC ±0.08	APPLICATION SPEC	
	3 PLC ±0.05	114-13120	
	4 PLC ±0.05	WEIGHT	
	ANGLES ±0.5	Customer Drawing	
	FINISH	SCALE 6:1	SHEET 2 OF 4
			REV B

LOC	DIST	REVISIONS		
GP	00	REV	DATE	APVD
		1	SEE SHEET 1	



THIS AREA DENOTES COMPONENT KEEP-OUT (TRACES ALLOWED)

12X (∅0.95) PLATING REQUIRED

SEE DETAIL F

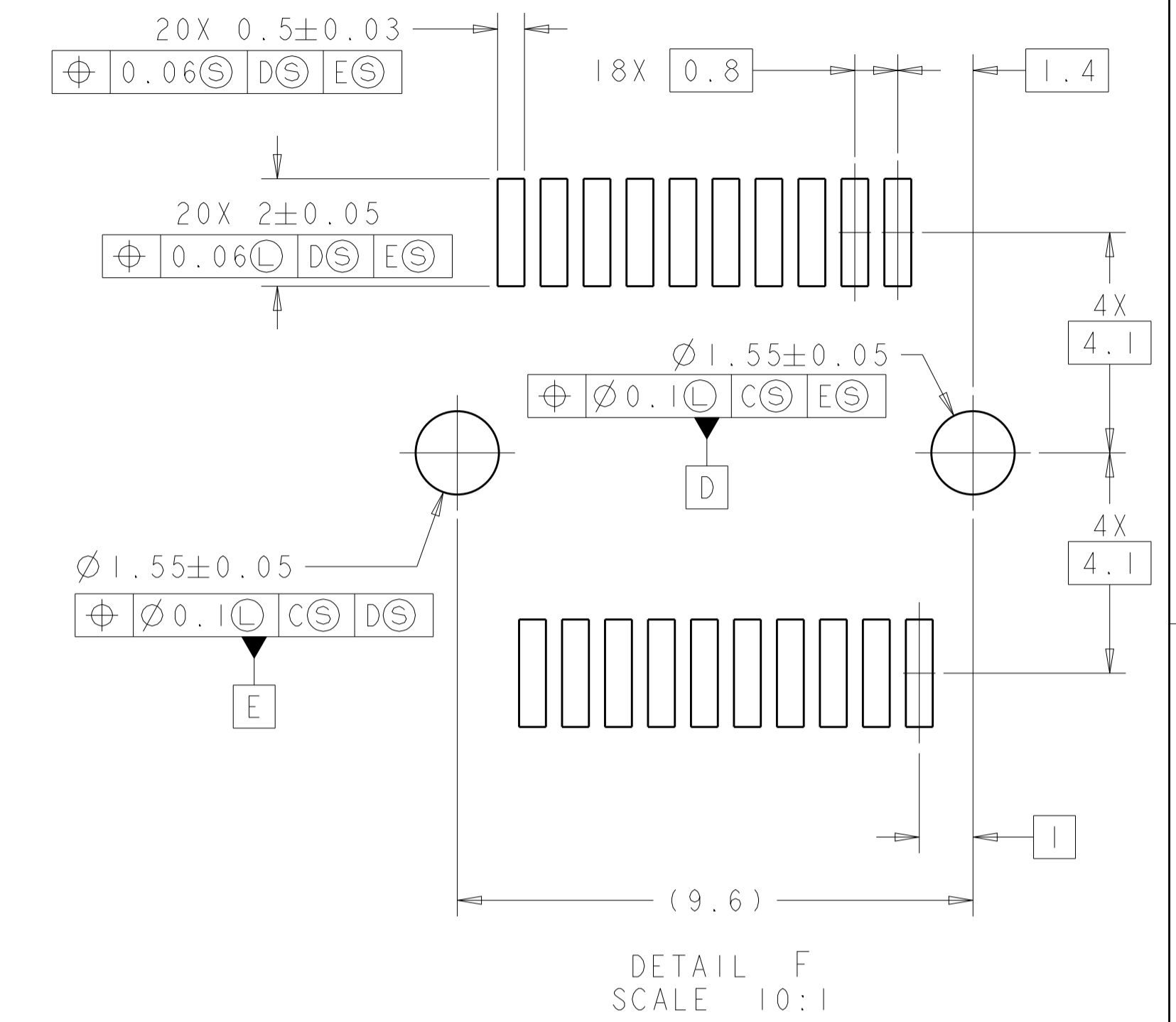
SEE DETAIL G

PLATING REQUIRED

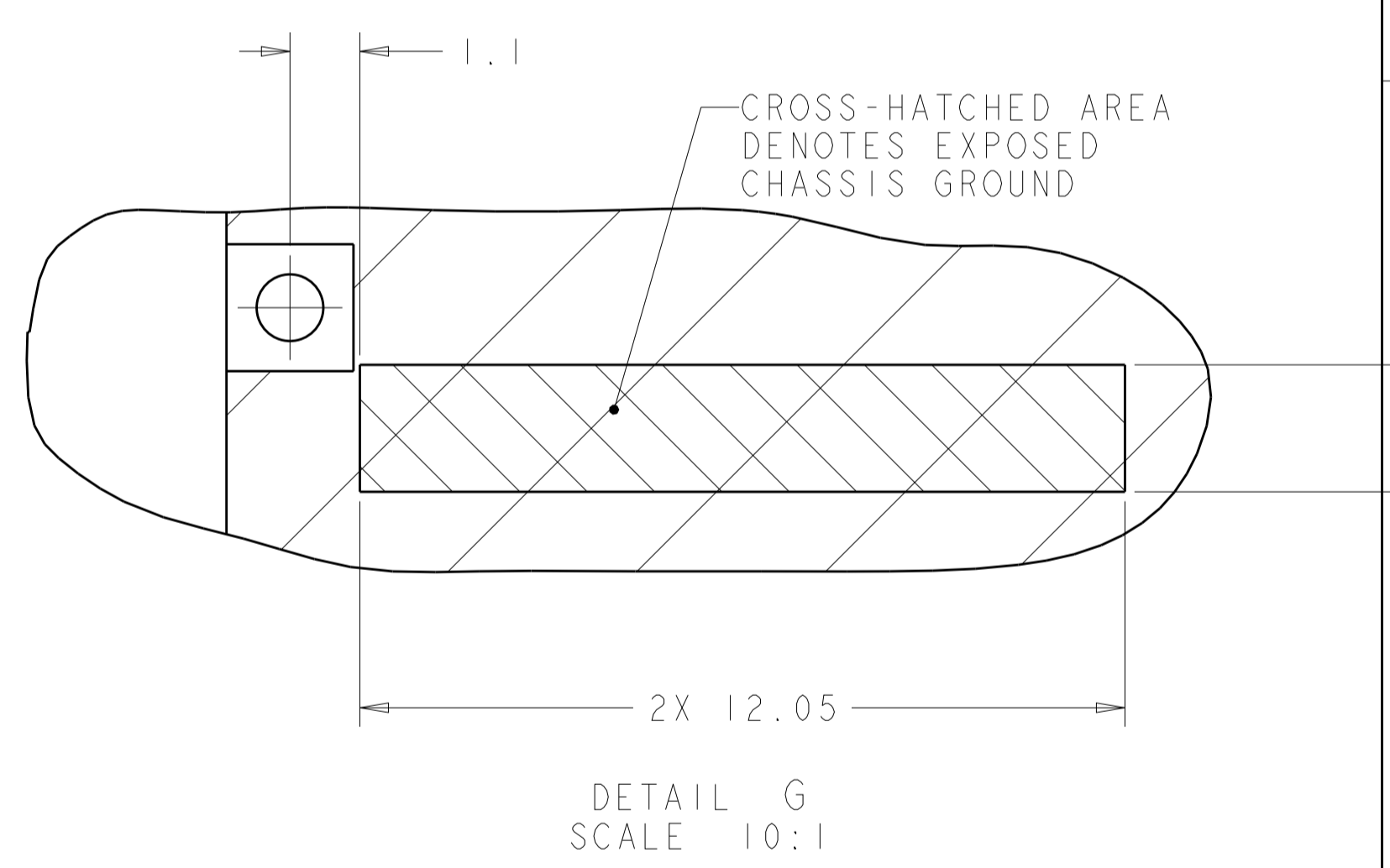
PLATING REQUIRED

RECOMMENDED PCB CONFIGURATION WITH KEEP-OUT AREAS SINGLE SIDED APPLICATIONS SCALE 8:1

CROSS-HATCHED AREA DENOTES COMPONENT AND TRACE KEEP-OUT (EXCEPT CHASSIS GROUND)



DETAIL F SCALE 10:1

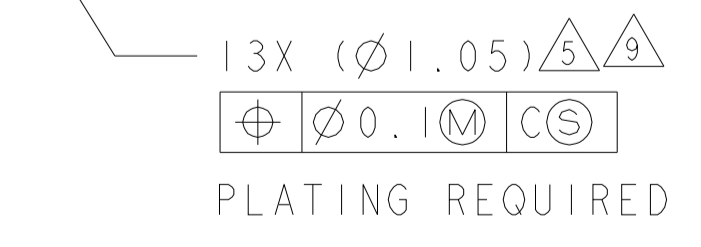
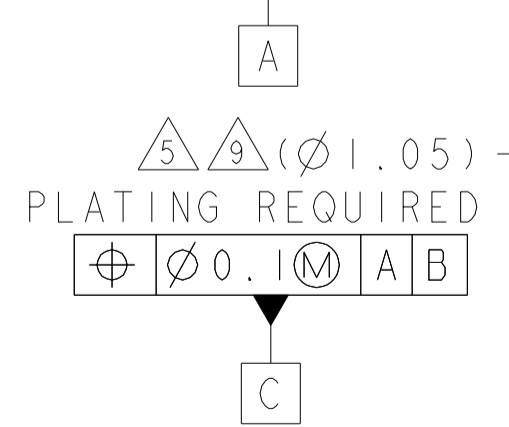
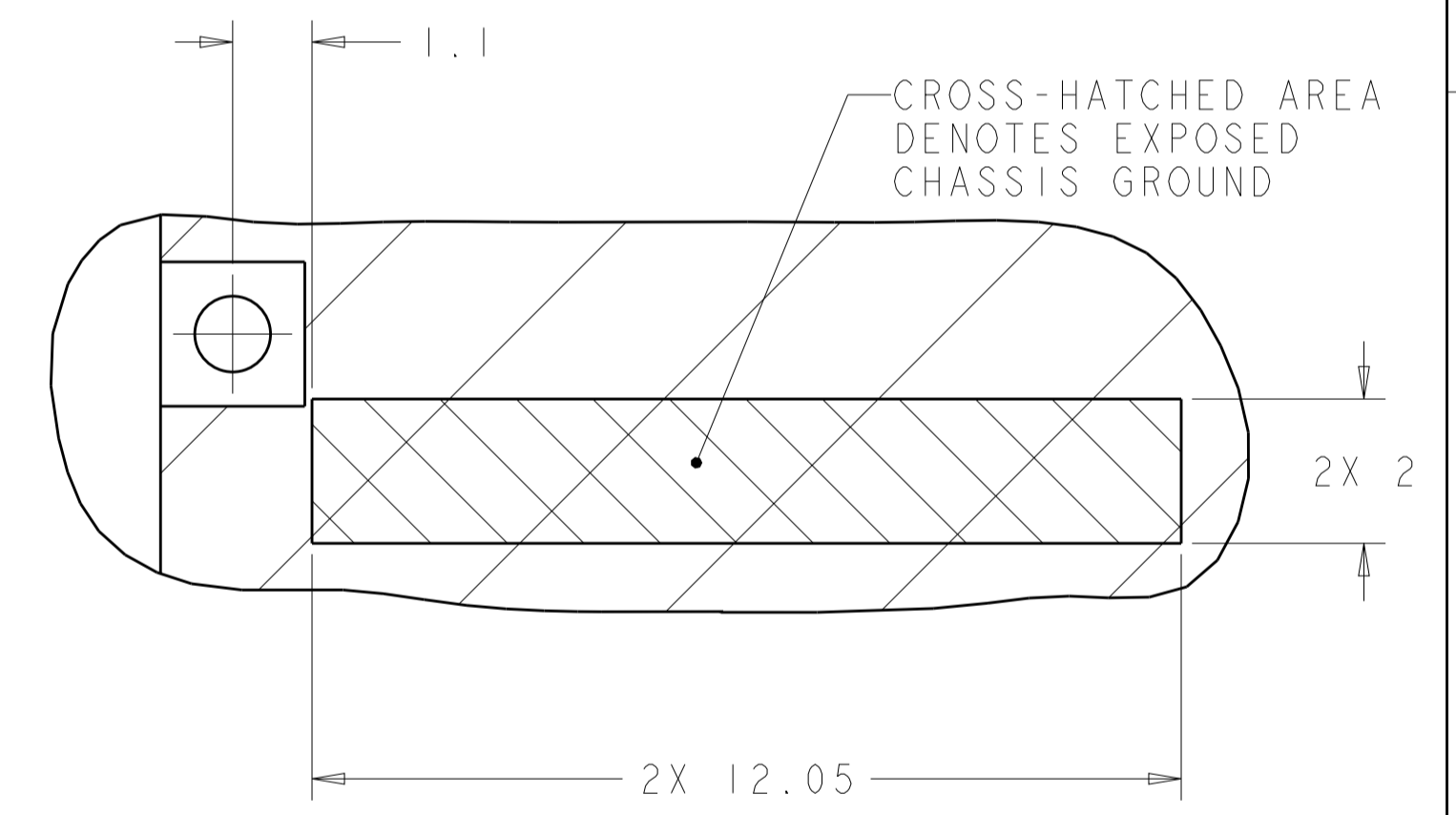
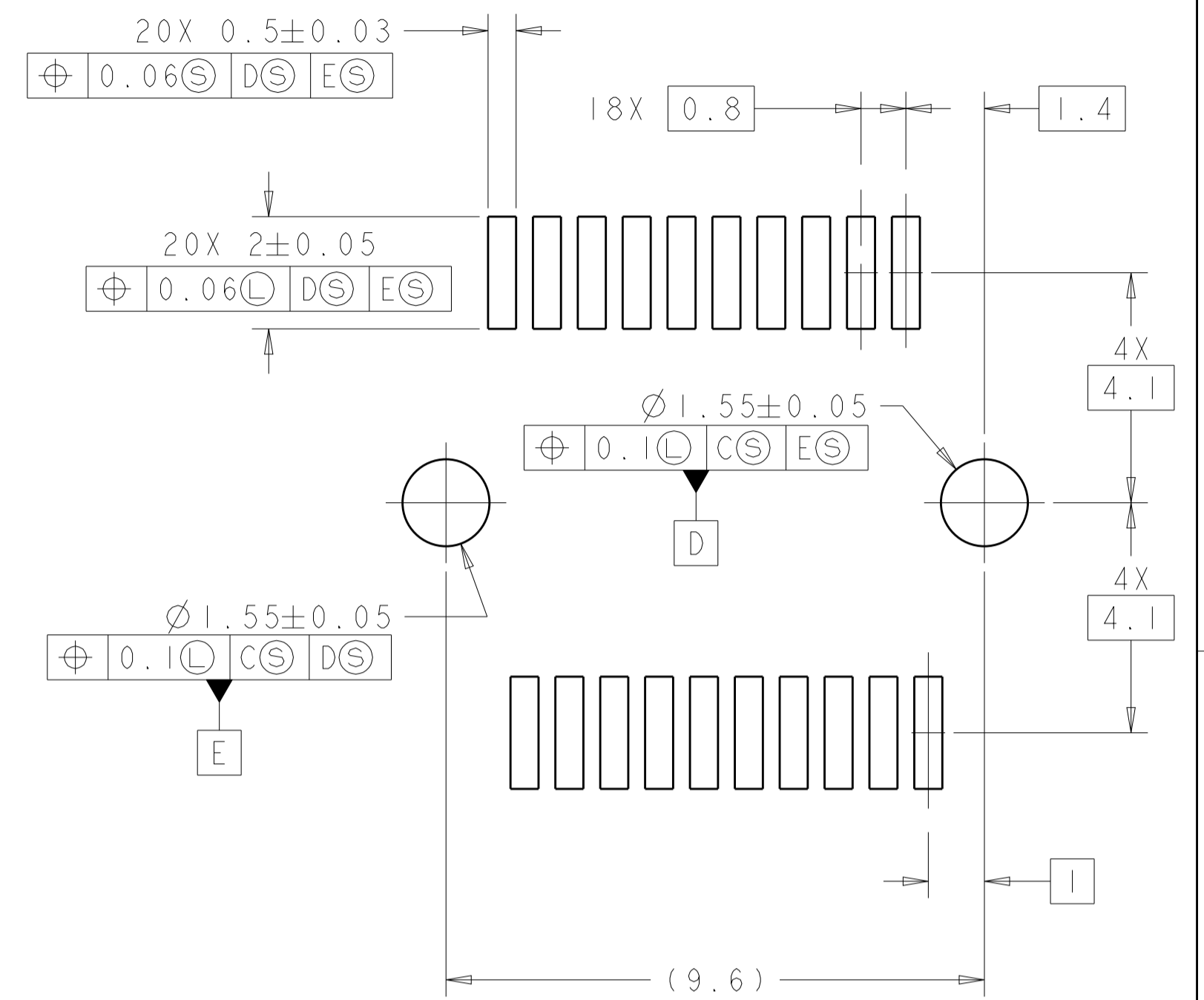
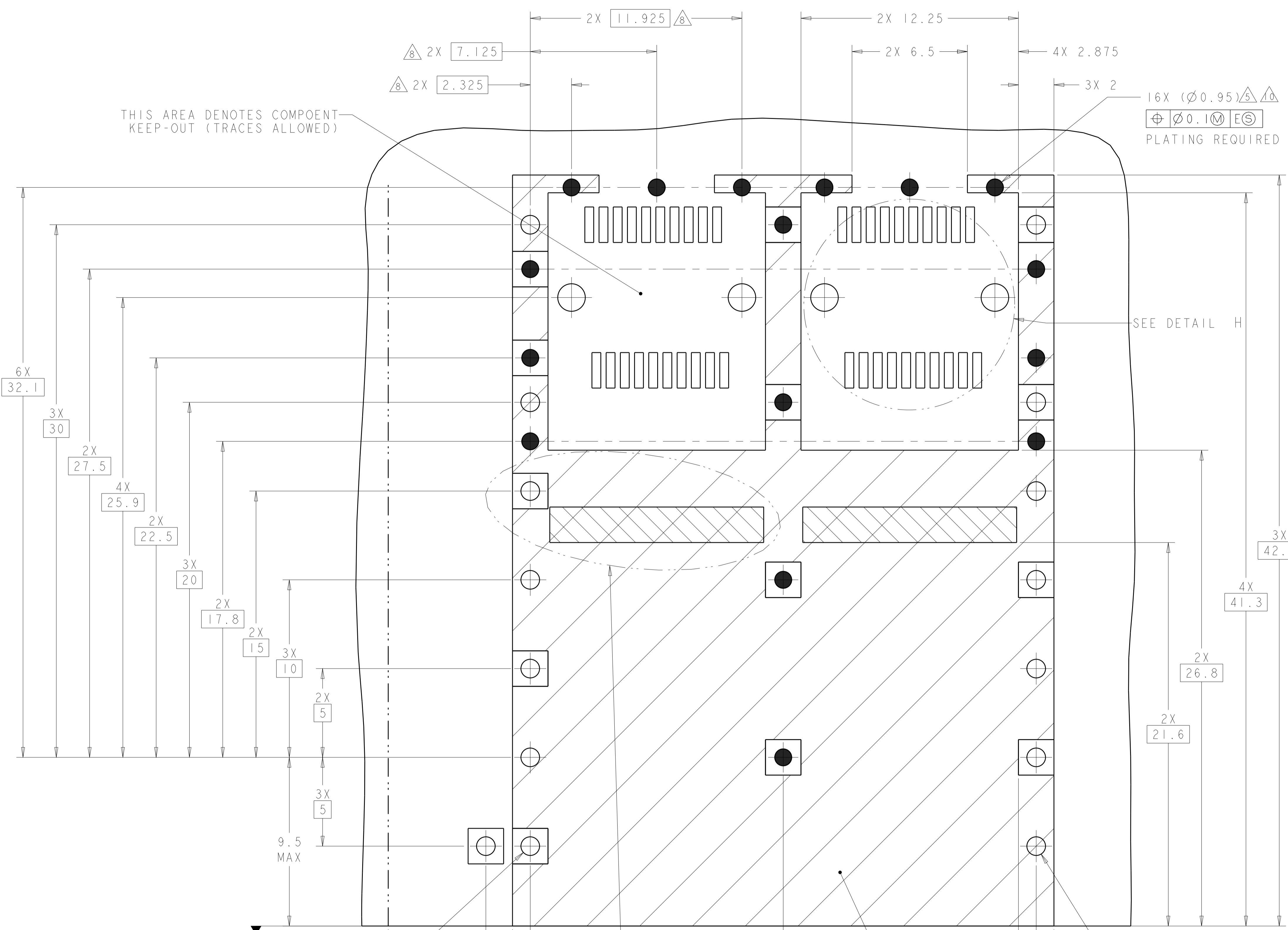


DETAIL G SCALE 10:1

THIS DRAWING IS A CONTROLLED DOCUMENT.		DWN: C. VALENTINE 06OCT2011	TE Connectivity NAME: SFP+ ENHANCED 1X2 CAGE ASSEMBLY, PRESS-FIT, EMI SPRINGS, HEAT SINK
DIMENSIONS: mm		CHK: M. SCHMITT 06OCT2011	
TOLERANCES UNLESS OTHERWISE SPECIFIED:		APVD: M. SCHMITT 06OCT2011	PRODUCT SPEC
0 PLC ±0.13		108-2364	APPLICATION SPEC
1 PLC ±0.1		114-13120	WEIGHT
2 PLC ±0.08			Customer Drawing
3 PLC ±0.05			SCALE 6:1 SHEET 3 OF 4 REV B
4 PLC ±0.05			
ANGLES ±0.5			
FINISH: #1			

LOC	DIST	REV	DATE	APPV
GP	00			

REVISIONS				
NO.	DESCRIPTION	DATE	BY	APPV
1	SEE SHEET 1			



RECOMMENDED PCB CONFIGURATION
 WITH KEEP-OUT AREAS
 BELLY TO BELLY APPLICATIONS
 SCALE 8:1

THIS DRAWING IS A CONTROLLED DOCUMENT.		OWN: C. VALENTINE 06OCT2011	TE Connectivity
DIMENSIONS: mm		CHK: M. SCHMITT 06OCT2011	
TOLERANCES UNLESS OTHERWISE SPECIFIED:		APPV: M. SCHMITT 06OCT2011	NAME: SFP+ ENHANCED 1X2 CAGE ASSEMBLY, PRESS-FIT, EMI SPRINGS, HEAT SINK PRODUCT SPEC: 108-2364 APPLICATION SPEC: 114-13120 WEIGHT: - SCALE: 6:1 SHEET 4 OF 4 REV B
0 PLC ±0.13		RESTRICTED TO:	
1 PLC ±0.1			
2 PLC ±0.08			
3 PLC ±0.05			
4 PLC ±0.05			
ANGLES ±1			
MATERIAL FINISH			

单击下面可查看定价，库存，交付和生命周期等信息

[>>TE Connectivity\(泰科\)](#)