

THIS DRAWING IS UNPUBLISHED.

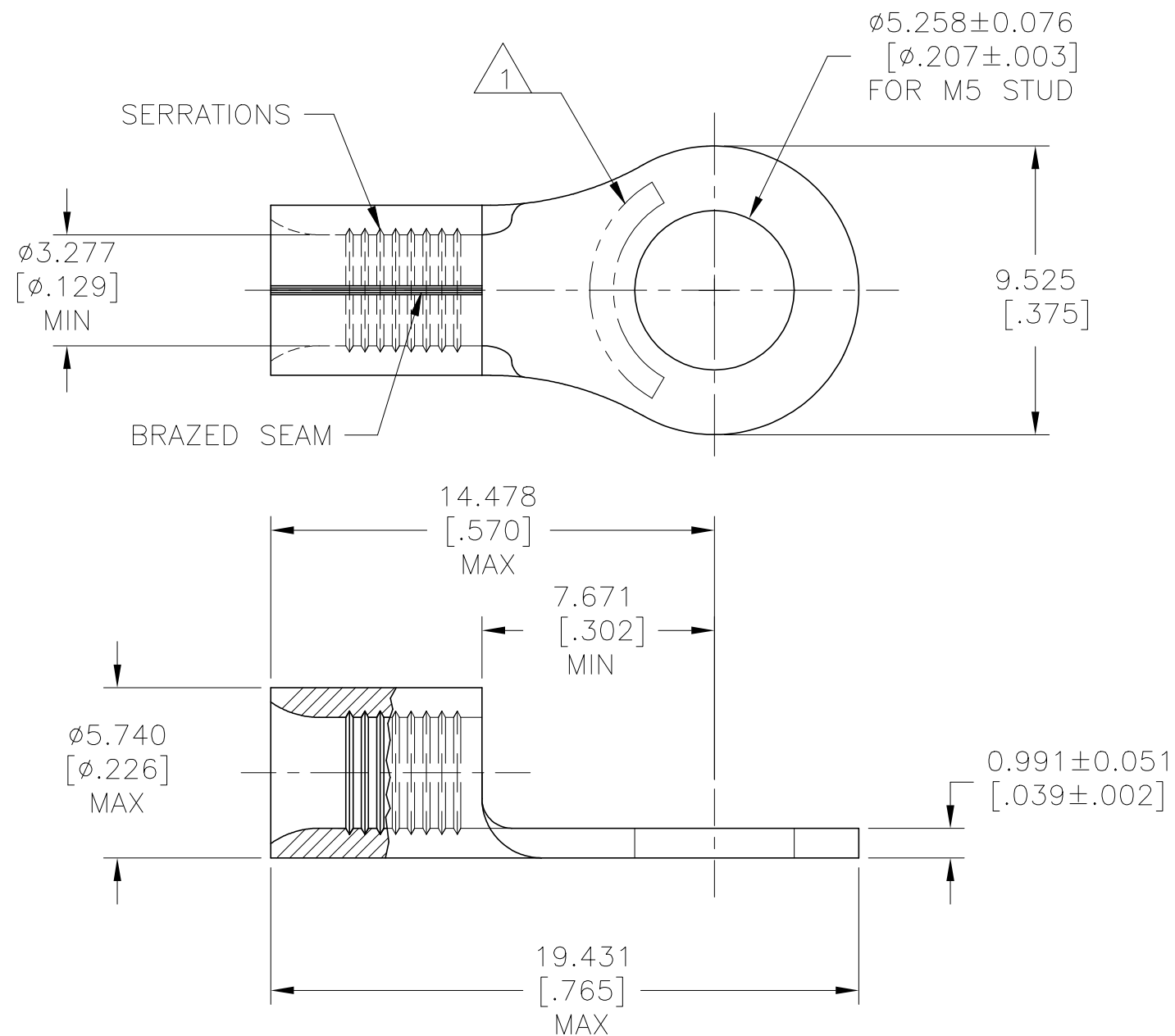
RELEASED FOR PUBLICATION

© COPYRIGHT - TE Connectivity Ltd.

ALL RIGHTS RESERVED.

REVISIONS

P	LTR	DESCRIPTION	DATE	DWN	APVD
	C	REV PER 0G3A-0827-04	18OCT04	JR	MS
	C1	REVISED PER ECO-17-008808	13MAR2018	RS	DR
	C2	REVISED PER ECO-19-011091	25JUL2019	RS	DR



**AMP**  
WIRE RANGE

12-10 AWG  
SOLID OR STRANDED

- 1 STAMP AMP 12-10\* APPROX AS SHOWN
- 2 COPPER PER ASTM B-152, ANNEALED
- 3 TIN PLATE 0.00254[.000100] MIN EXT THK PER ASTM B-545
- 4 NOTE DELETED

3	500	LOOSE PIECE	696665-1
FINISH	QTY	PACKAGING TYPE	PART NO

AMP INCORPORATED CUSTOMER SERVICE SYSTEMS		MAX RECOMMENDED OPERATING TEMPERATURE: 170°C[338°F]	THIS DRAWING IS A CONTROLLED DOCUMENT.		DWN JR RUTH 24OCT03	<b>STE</b> TE Connectivity Ltd.				
FOR ADDITIONAL PRODUCT INFORMATION OR COPIES OF DRAWINGS AND TECHNICAL DOCUMENTS	PRODUCT INFORMATION CENTER 1-800-522-6752	VOLTAGE RATING: N/A	DIMENSIONS: mm [INCHES]	TOLERANCES UNLESS OTHERWISE SPECIFIED:	CHK T MICHIELUTTI 24OCT03			NAME TERMINAL , RING TONGUE, SOLISTRAND WIRE SIZE 12-10 AWG		
FOR APPLICATION TOOLING INFORMATION	TOOLING ASSISTANCE CENTER 1-800-722-1111	CIRCULAR MIL AREA: 2.62-6.64mm <sup>2</sup> [5,180-13,100] SOLID OR STRANDED		0 PLC ± - 1 PLC ± - 2 PLC ± - 3 PLC ± 0.127[.005] 4 PLC ± - ± 1°	APVD T MICHIELUTTI 24OCT03	APPLICATION SPEC				
FOR ORDER ENTRY	1-800-526-5142	THIS DRAWING IS A CONTROLLED DOCUMENT FOR AMP INCORPORATED. IT IS SUBJECT TO CHANGE AND THE CONTROLLING ENGINEERING ORGANIZATION SHOULD BE CONTACTED FOR THE LATEST REVISION.	MATERIAL 2	FINISH SEE TABLE	PRODUCT SPEC	SIZE A3	CAGE CODE 00779	DRAWING NO C=696665	RESTRICTED TO	
					WEIGHT	CUSTOMER DRAWING		SCALE 5:1	SHEET 1 OF 1	REV C2

单击下面可查看定价，库存，交付和生命周期等信息

[>>TE Connectivity\(泰科\)](#)