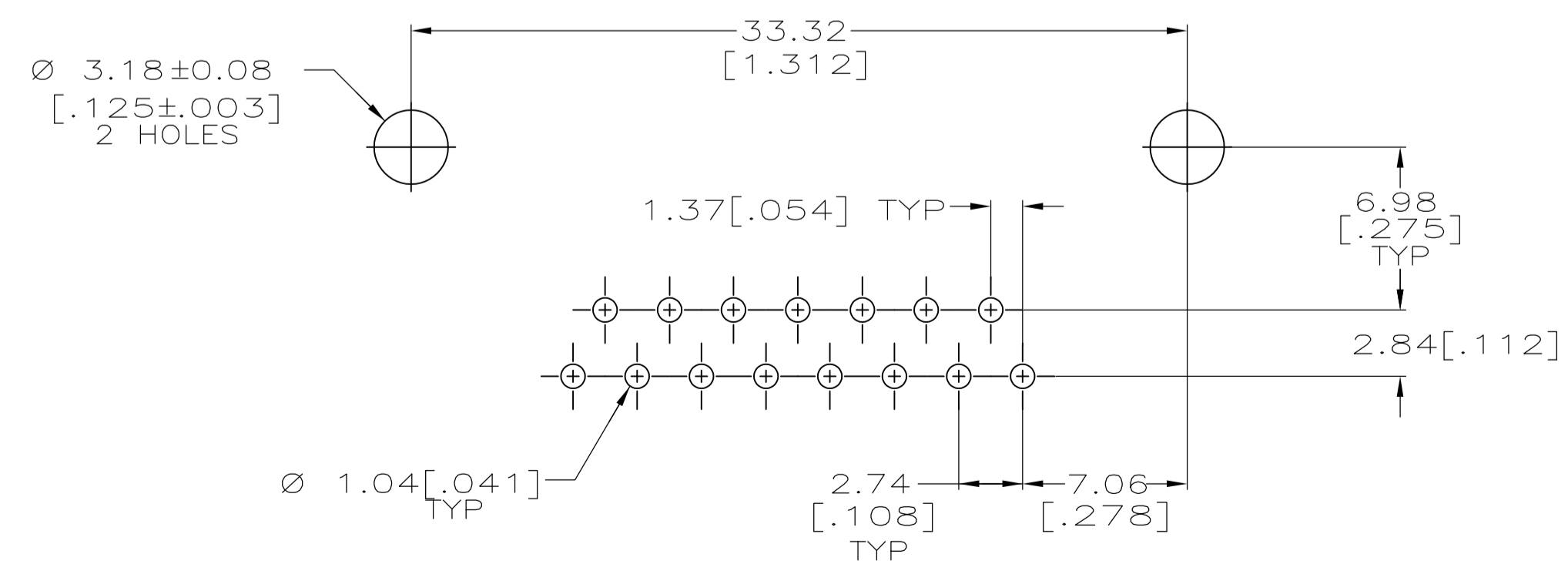
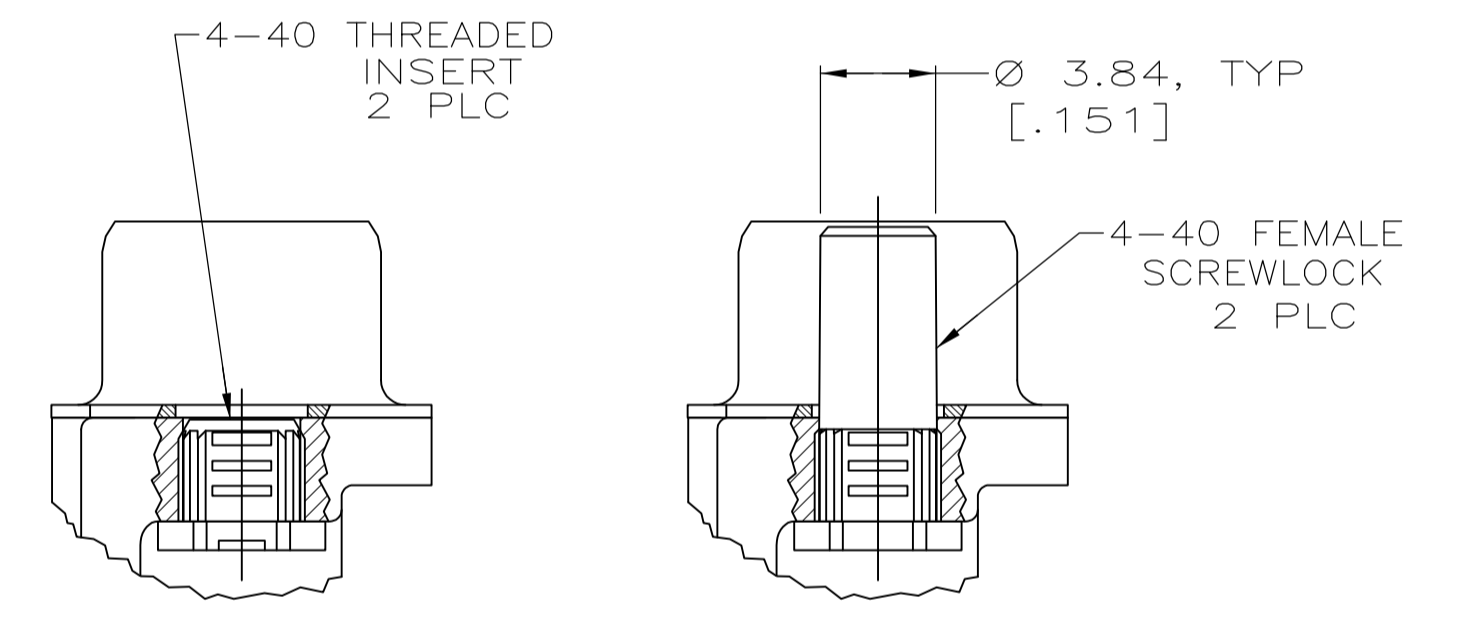
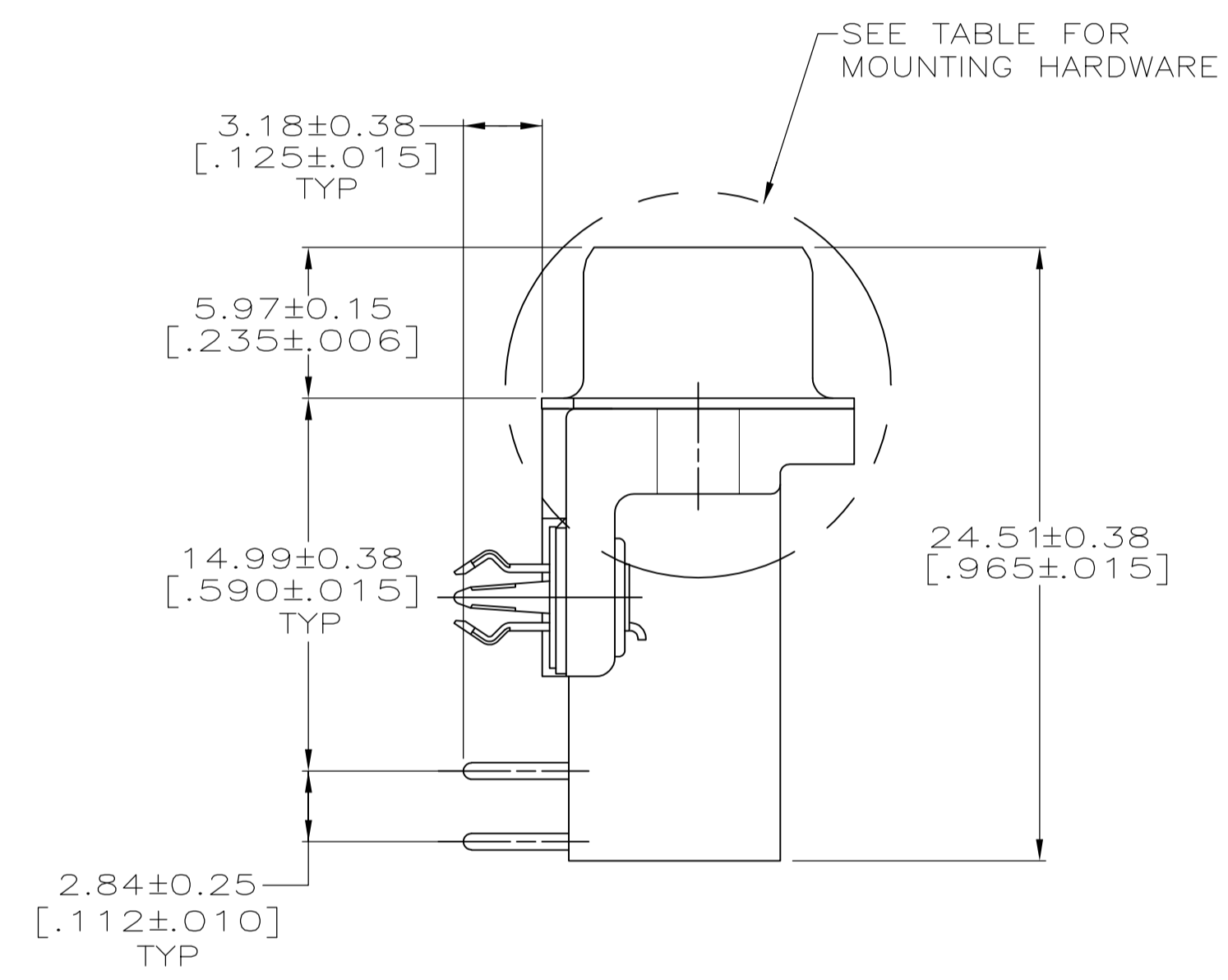
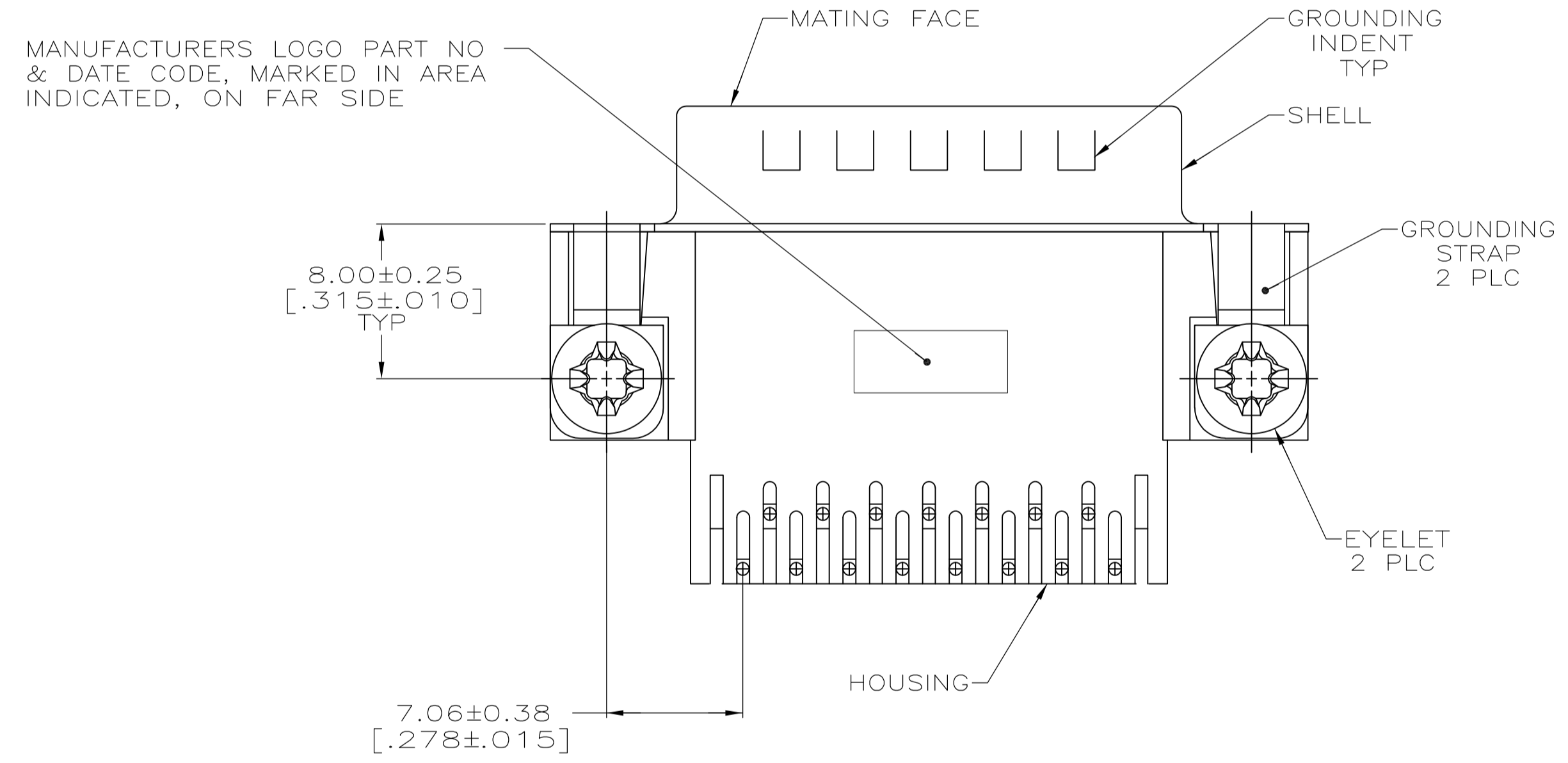
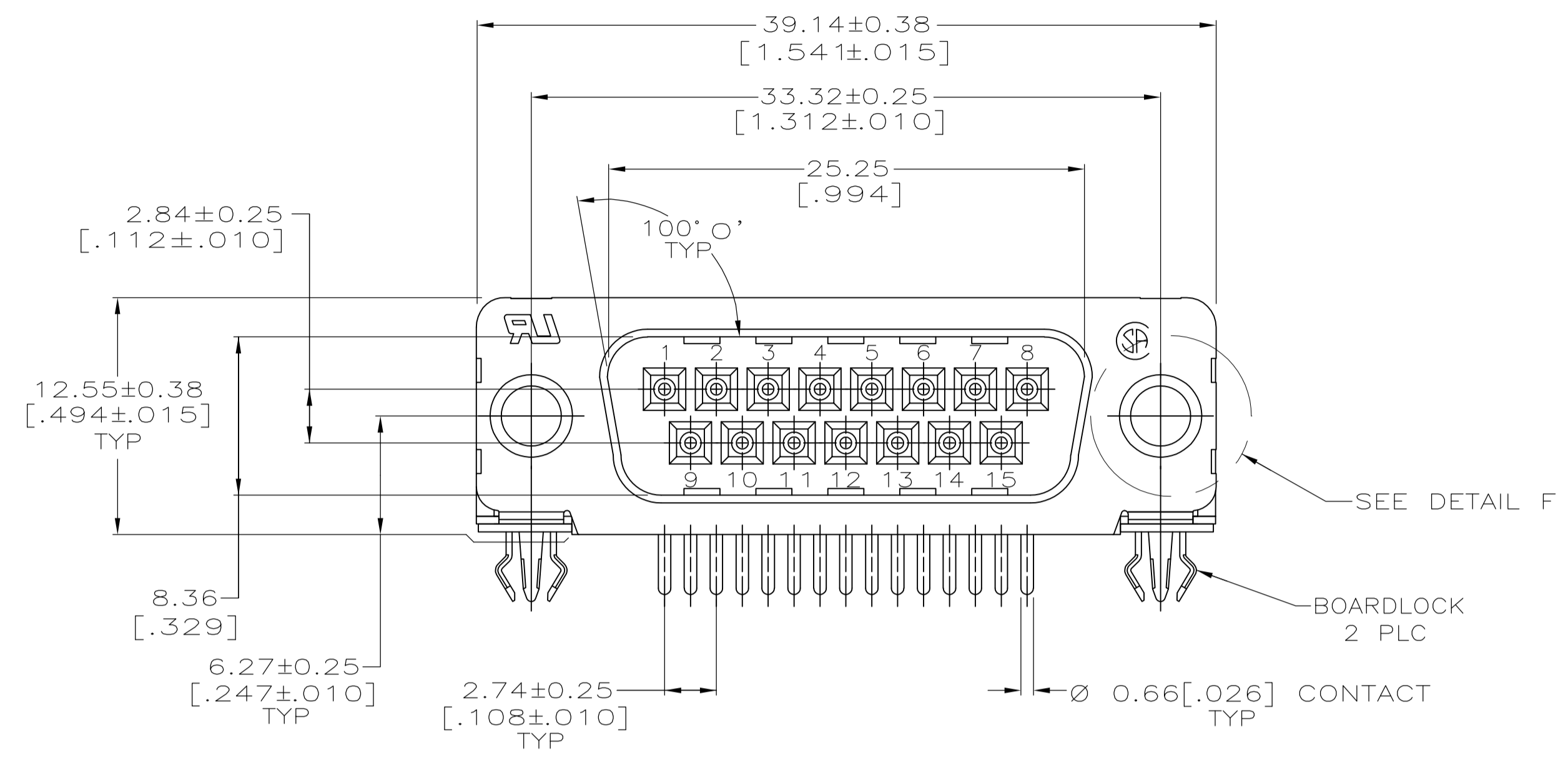


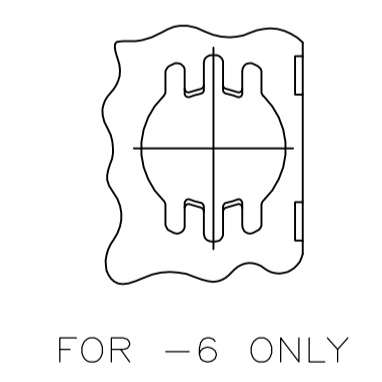
LOC		DIST		REVISIONS			
P	LTR	DATE	DMN	APVD	DESCRIPTION		
C		02JAN2013	CJV	SLB	REVISED PER ECO-12-022391		



P.C. BOARD MOUNTING DIMENSIONS  
P.C. BOARD THICKNESS: 1.57 [.062]

- 1 HOUSING: NYLON OR POLYESTER, FLAME RETARDANT, UL 94V-0 RATED, GLASS FILLED, BLACK.
- CONTACTS: BRASS
- SHELL: CARBON STEEL
- EYELETS: BRASS
- SCREWLOCKS & INSERTS: ZINC
- BOARDLOCKS: COPPER ALLOY

- 2 SHELL: 2.54µm [.000100] MIN TIN OVER 1.27µm [.000050] MIN COPPER.
- EYELETS: 2.54µm [.000100] MIN TIN OVER COPPER FLASH.
- BOARDLOCKS: 3.81µm [.000150] MIN TIN OVER 1.27µm [.000050] MIN NICKEL.
- CONTACTS: 0.76µm [.000030] MIN GOLD PLATE ON THE MATING SURFACES, 2.54µm [.000100] MIN TIN PLATE ON THE SOLDER END, 1.27µm [.000050] MIN NICKEL UNDERPLATE ON THE ENTIRE CONTACT
- OR-
- GOLD FLASH OVER PALLADIUM-NICKEL PLATE, 0.76µm [.000030] MIN TOTAL ON THE MATING SURFACES, 2.54µm [.000100] MIN TIN PLATE ON THE SOLDER END, 1.27µm [.000050] MIN NICKEL UNDERPLATE ON THE ENTIRE CONTACT.



DETAIL F  
2 PLC

SEE DETAIL E	5747833-6
SEE DETAIL D	5747833-4
MOUNTING HARDWARE	PART NUMBER

THIS DRAWING IS A CONTROLLED DOCUMENT. DIMENSIONING AND TOLERANCING PER ASME Y14.5M-2009		DIN G. ATTADIA - DOCKS 04-11-05		CIRK S. BOLASH 04-11-05		APVD M. WALMSLEY 04-11-05		NAME	
DIMENSIONS: mm [INCHES]		TOLERANCES UNLESS OTHERWISE SPECIFIED:		PRODUCT SPEC		APPLICATION SPEC		RESTRICTED TO	
Ø		0 PLC ± -		108-40025		SIZE 114-40010		WEIGHT	
Ø		1 PLC ± -		108-40025		CAGE CODE DRAWING NO		CUSTOMER DRAWING	
Ø		2 PLC ± -		108-40025		A1 00779		SCALE 4:1 SHEET 1 OF 1 REV C	
Ø		3 PLC ± 0.13 [.005]		108-40025		5747833			
Ø		4 PLC ± -		108-40025		5747833			
Ø		ANGLES ± 2°		108-40025		5747833			

**COPYRIGHT 2005**  
**TYCO ELECTRONICS CORP**  
**ALL RIGHTS RESERVED**



单击下面可查看定价，库存，交付和生命周期等信息

[>>TE Connectivity\(泰科\)](#)

[>>点击查看相关商品](#)