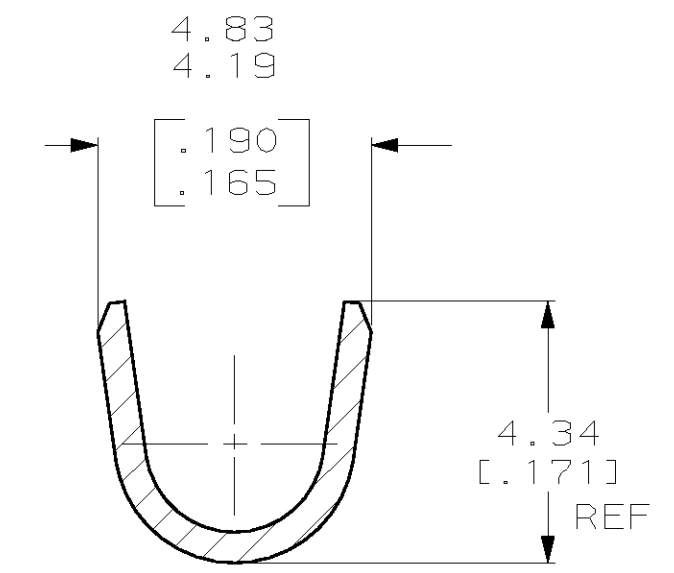
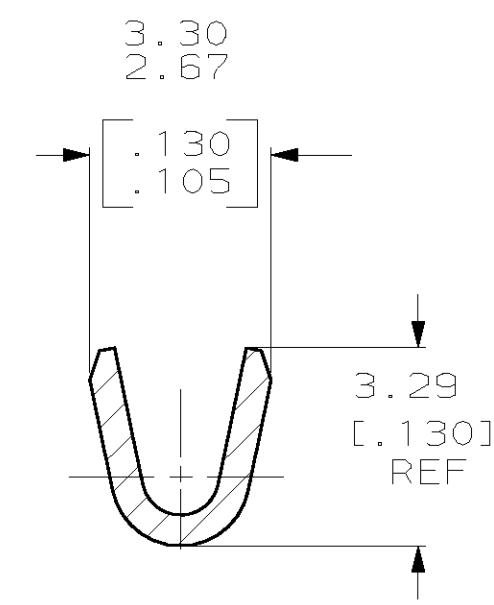
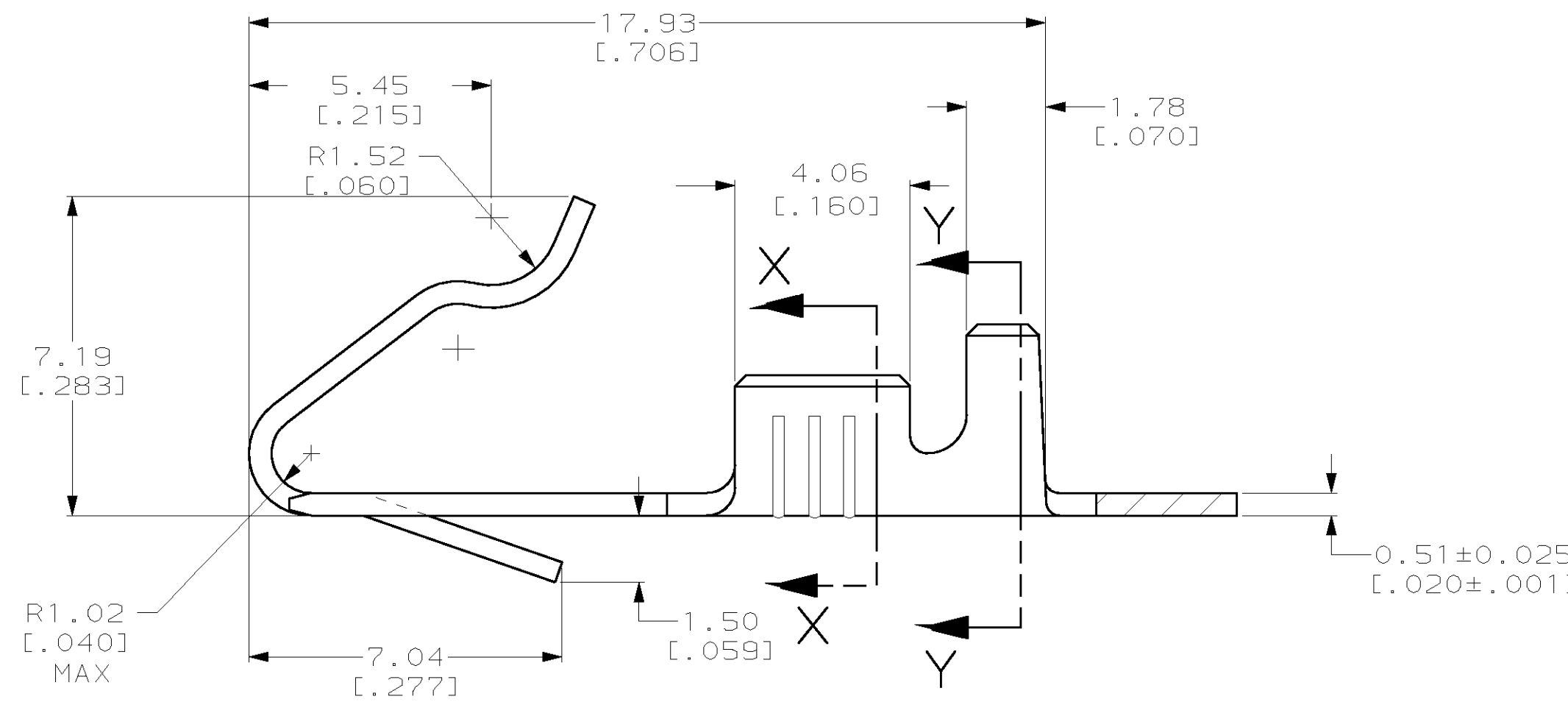
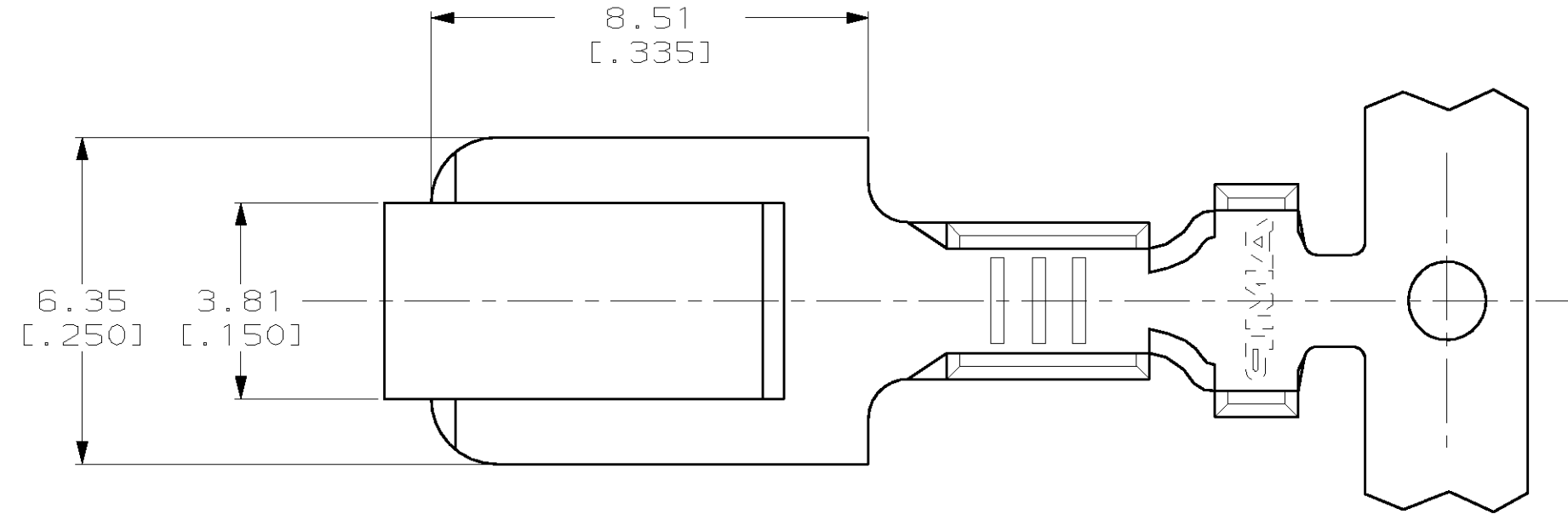


THIS DRAWING IS UNPUBLISHED. RELEASED FOR PUBLICATION .19
 (C) COPYRIGHT 19 BY AMP INCORPORATED. ALL RIGHTS RESERVED.

LOC	DIST	REVISIONS			
P	LTR	DESCRIPTION	DATE	DWN	APVD
AF	50	A	REL PER 0G3A-0364-01	11 JUN01	JR DD

- 1 CONTINUOUS STRIP ON REELS
- 2 WIRE SIZE IS [#20-#16] AWG.
- 3 INSULATION RANGE IS 3.30 [.130] MAX



SECTION X-X

SECTION Y-Y

1217486

1217486-1
 PART NO.

THIS DRAWING IS A CONTROLLED DOCUMENT.		DWN JR RUTH 29JAN01	AMP Incorporated Harrisburg, PA 17105-3608	
DIMENSIONS: MM (INCHES)		CHK MS FEHER 29JAN01	NAME D DECKER 29JAN01	
TOLERANCES UNLESS OTHERWISE SPECIFIED:		APVD D DECKER 29JAN01	PRODUCT SPEC -	
0 PLC ±-		APPLICATION SPEC -		
1 PLC ±-		WEIGHT -		
2 PLC ±0.25 [.010]		SIZE A2		
3 PLC ±-		CAGE CODE 00779		
4 PLC ±-		DRAWING NO 1217486		
ANGLES ±-		RESTRICTED TO -		
MATERIAL H04 BRASS	FINISH 0.002032 [.000080] MIN TIN	CUSTOMER DRAWING		
		SCALE 8:1	SHEET 1 OF 1	REV A

单击下面可查看定价，库存，交付和生命周期等信息

[>>TE Connectivity\(泰科\)](#)