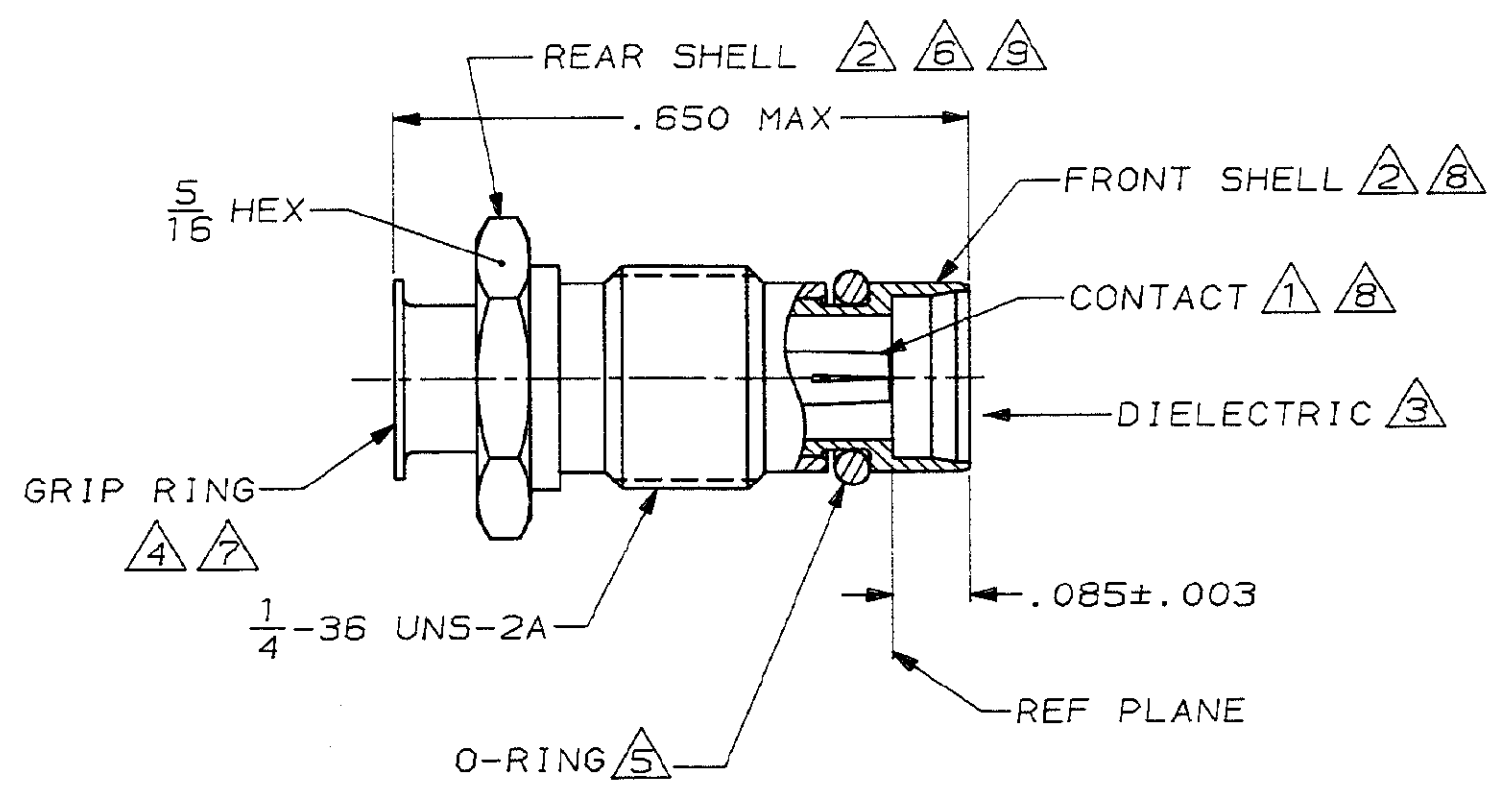


DRAWING MADE IN THIRD ANGLE PROJECTION

THIS DRAWING IS UNPUBLISHED. RELEASED FOR PUBLICATION  
 © COPYRIGHT 19 BY AMP INCORPORATED, HARRISBURG, PA. ALL INTERNATIONAL RIGHTS RESERVED. AMP PRODUCTS MAY BE COVERED BY U.S. AND FOREIGN PATENTS AND/OR PATENTS PENDING.

MOD	LOC	DIST	P	F	ZONE	LTR	DESCRIPTION	DATE	APPROVED
	AJ	16					PR 87-3484-004	5/7/87	MS/DH



- 1 BERYLLIUM COPPER PER QQ-C-530
  - 2 STAINLESS STEEL PER ASTM-A-582
  - 3 PTFE PER MIL-P-19468
  - 4 BRASS PER MIL-C-50
  - 5 SILICONE RUBBER PER ZZ-R-765
  - 6 SEALANT
  - 7 NICKEL PL PER QQ-N-290
  - 8 GOLD PL PER MIL-G-45204
  - 9 PASSIVATION PER QQ-P-35
10. CONTACT ACCEPTS .036±.001 DIA PIN

222220-2  
PART NO

UNLESS OTHERWISE SPECIFIED DIMENSIONS ARE IN INCHES TOLERANCES ON: 2 PL DEC ± _____ 3 PL DEC ± _____ ANGLES ± _____	DR <i>M. Emond</i> 5/7/87	<b>AMP</b>   AMP INCORPORATED Harrisburg, Pa. 17105	
	CHK <i>R. J. ...</i> 5/7/87		
MATERIAL 1 THRU 6	APPD <i>R. J. ...</i> 5/7/87	NAME JACK ASSY, BULKHEAD, BLIND MATE 3.5 MM	
FINISH 7 8 9	PRODUCT SPEC _____ APPLICATION SPEC _____ WEIGHT _____	SIZE <b>B</b>	FSCM NO 00779
		DRAWING NO 222220-2	
		SCALE 5:1	SHEET 1 OF 1

单击下面可查看定价，库存，交付和生命周期等信息

[>>TE Connectivity\(泰科\)](#)