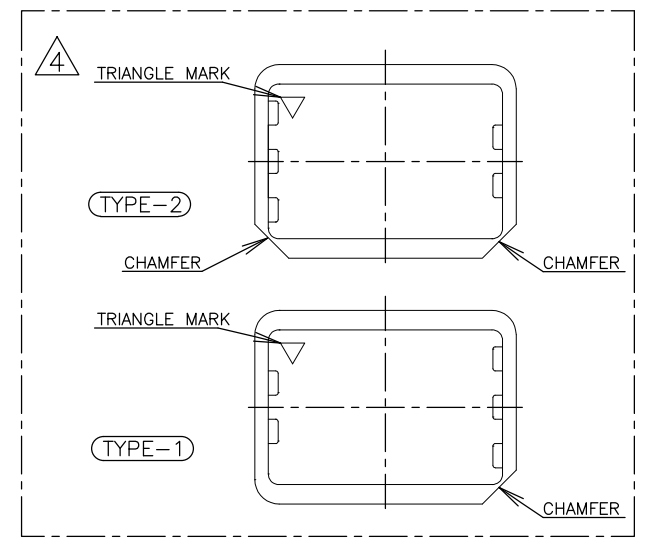
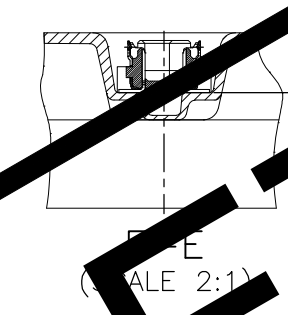
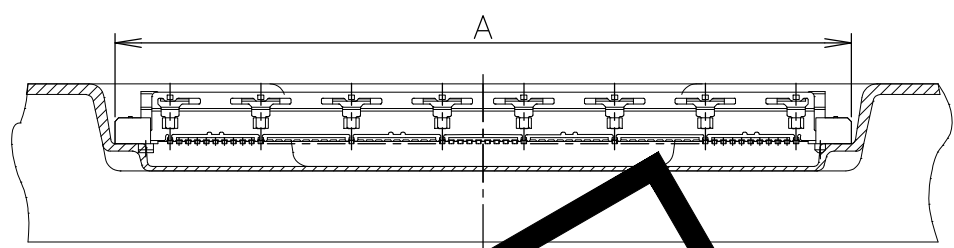
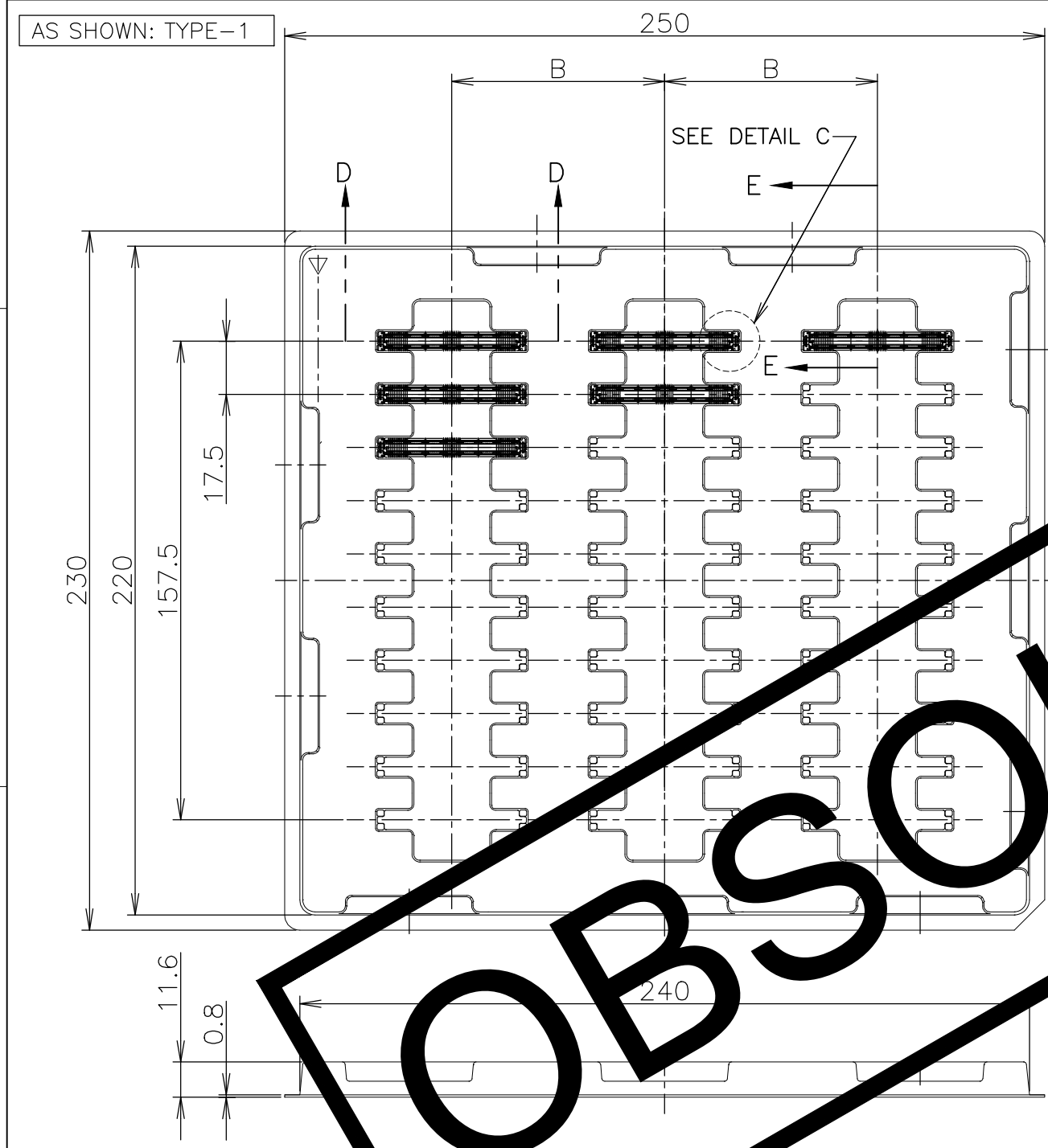


THIS DRAWING IS UNPUBLISHED. RELEASED FOR PUBLICATION MAY, 1995.  
 © COPYRIGHT 1995 BY TYCO ELECTRONICS CORPORATION. ALL RIGHTS RESERVED.

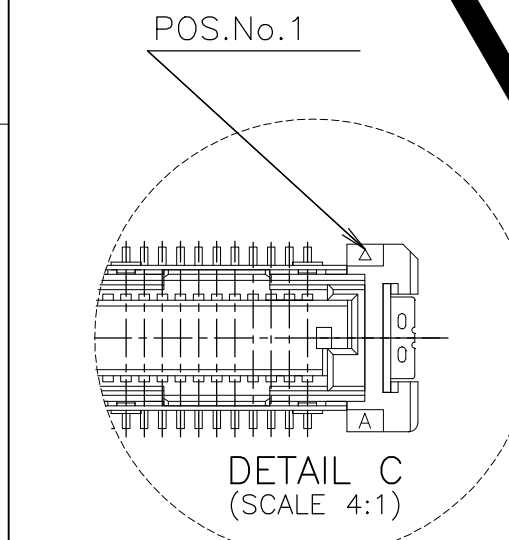
LOC	DIST	REVISIONS					
J		P	LTR	DESCRIPTION	DATE	DWN	APVD
		C		PER REVISED ECO-18-004710	22MAR18	R.L	H.L



OBSOLETE

SEALANT	TOOLING STATUS	ROW	QTY	B	A	POS.	TRAY P/N	PART NO.
SEALANT	AVAILABLE		30	70	54.7	160	912063-9	6-5316076-1
SEALANT	AVAILABLE				48.7	140	912063-8	6-0
SEALANT	NOT AVAILABLE				42.7	120	4-912065-9	5-9
SEALANT					36.7	100	8-912066-2	5-8
SEALANT		3	30	70	33.7	90	9-912066-6	5-7
SEALANT		5	50	43	30.7	80	912067-3	5-6
SEALANT					27.7	70	912063-1	5-5
SEALANT	NOT AVAILABLE				24.7	60	9-912066-5	5-4
SEALANT	AVAILABLE				21.7	50	9-912062-9	5-3
SEALANT	NOT AVAILABLE				18.7	40	9-912066-4	5-2
SEALANT	NOT AVAILABLE	5	50	43	15.7	30	9-912066-3	5-5316076-1
NON SEALANT	AVAILABLE	3	30	70	54.7	160	912063-9	1-5316076-1
NON SEALANT	AVAILABLE				48.7	140	912063-8	1-0
NON SEALANT	NOT AVAILABLE				42.7	120	4-912065-9	9
NON SEALANT					36.7	100	8-912066-2	8
NON SEALANT		3	30	70	33.7	90	9-912066-6	7
NON SEALANT		5	50	43	30.7	80	912067-3	6
NON SEALANT					27.7	70	912063-1	5
NON SEALANT	NOT AVAILABLE				24.7	60	9-912066-5	4
NON SEALANT	AVAILABLE				21.7	50	9-912062-9	3
NON SEALANT	NOT AVAILABLE				18.7	40	9-912066-4	2
NON SEALANT	NOT AVAILABLE	5	50	43	15.7	30	9-912066-3	5316076-1

OBS



4. TYPE-1 AND TYPE-2 MUST BE PILED UP BY TURNS. (REFER TO PACKING SPECIFICATIONS)

GENERAL TOLERANCE  
 一般公差  
 10 : ±0.2  
 30 ≥ 10 : ±0.25  
 100 ≥ 30 : ±0.3  
 ANGLES : ±3°

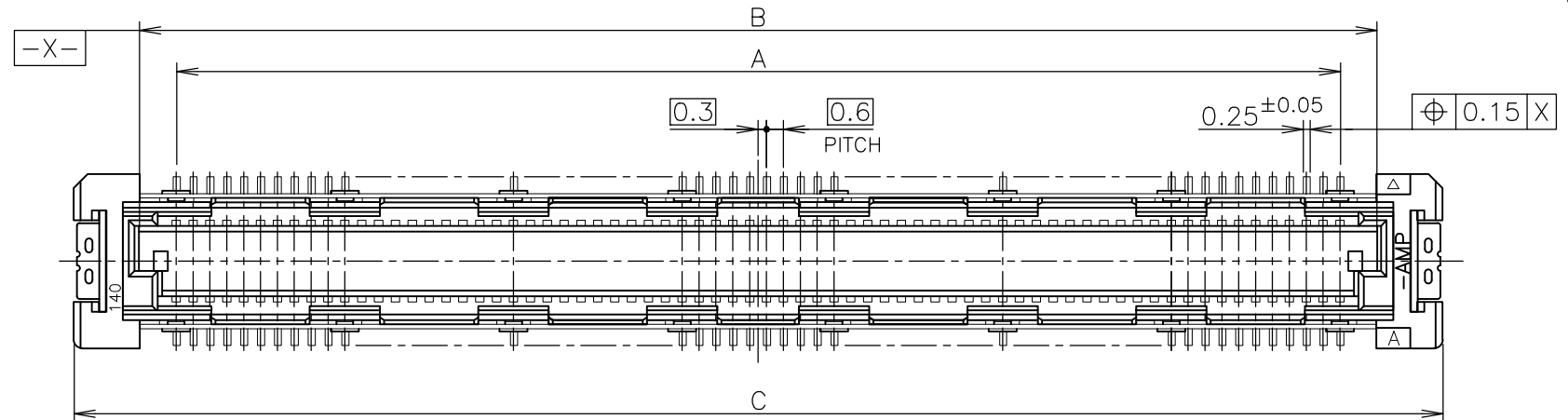
THIS DRAWING IS A CONTROLLED DOCUMENT.

DIMENSIONS: MM	TOLERANCES UNLESS OTHERWISE SPECIFIED:	DWN HAWKING HE 21DEC04	Tyco Electronics Corporation Kawasaki, Japan
	0 PLC ± - 1 PLC ± - 2 PLC ± - 3 PLC ± - 4 PLC ± - ANGLES ± - FINISH ± -	CHK STEVEN YAO 21DEC04	
		APVD I.ENOMOTO 21DEC04	
		NAME	
MATERIAL		PRODUCT SPEC 108-60047	TRAY ASSY FH 0.6BTB CONNECTOR PLUG 4H W/G-CONT
		APPLICATION SPEC 114-5255	SIZE A3 CAGE CODE 00779 DRAWING NO C-5316076 RESTRICTED TO
		WEIGHT	SCALE 1:2 SHEET 1 OF 3 REV C

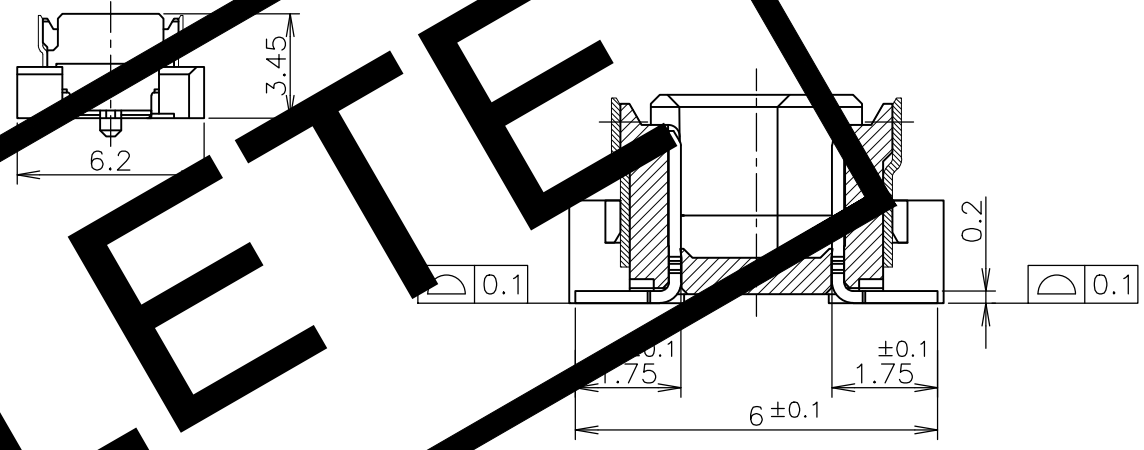
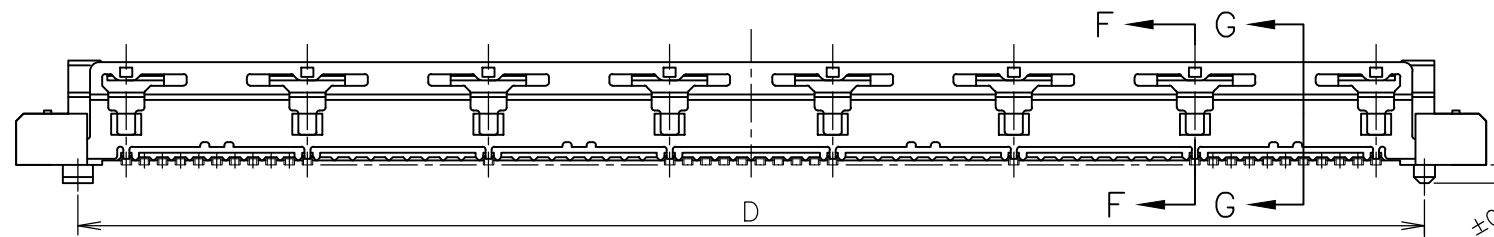
CUSTOMER DRAWING

THIS DRAWING IS UNPUBLISHED. RELEASED FOR PUBLICATION MAY, 1995.  
 © COPYRIGHT 1995 BY TYCO ELECTRONICS CORPORATION. ALL RIGHTS RESERVED.

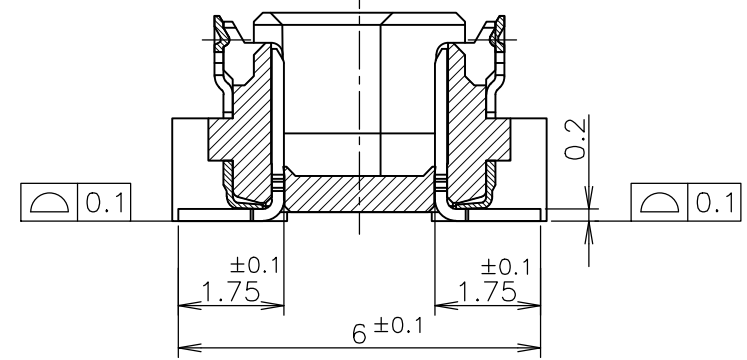
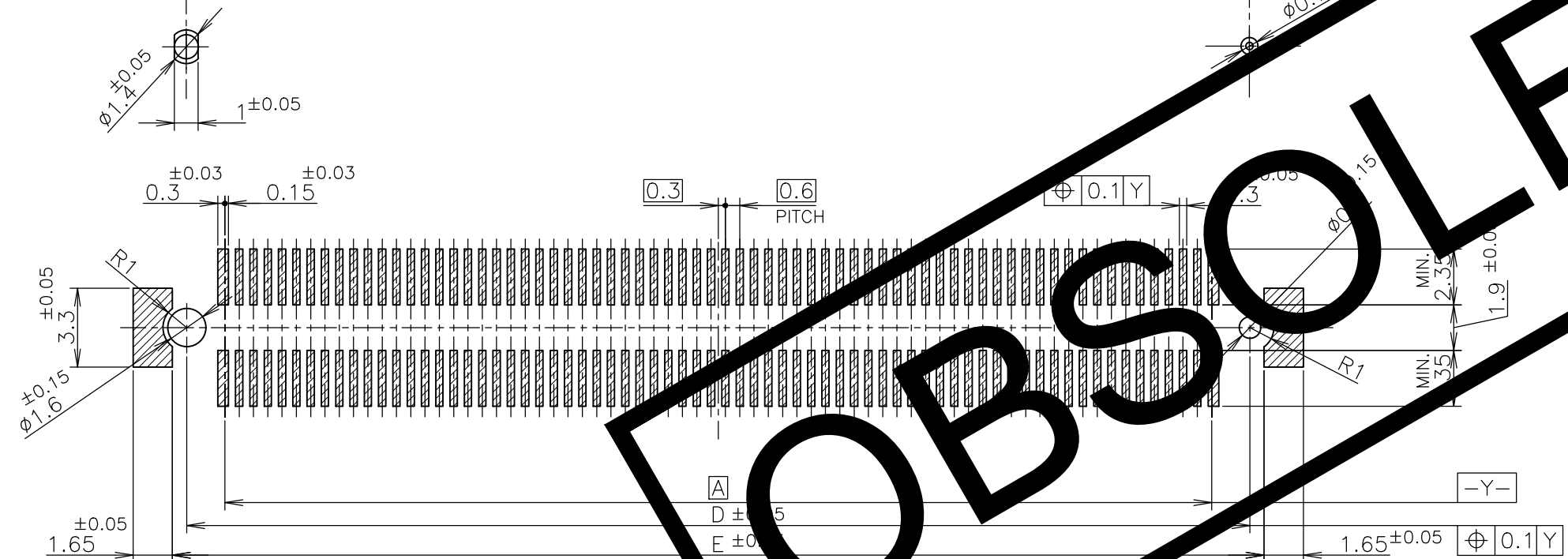
LOC	DIST	REVISIONS					
J		P	LTR	DESCRIPTION	DATE	DWN	APVD
		-		SEE SHEET 1	-	-	-



- ⚠ MATERIAL ; HOUSING : HIGH TEMP THERMO PLASTIC UL94V-0
- CONTACT : COPPER ALLOY
- ⚠ FINISH ; UNDER PL Ni 0.0013mm MIN ALL OVER.
- CONTACT AREA 0.0002 MIN Au PL.
- SOLDERING AREA 0.001 MIN TIN PL.
- ⚠ THIS POSITION IS GROUND CIRCUIT.



G-G  
(SIGNAL POSITION)  
(SCALE 8:1)



F-F  
(GROUND POSITION)  
(SCALE 8:1)

REFERENCE P BOARD L

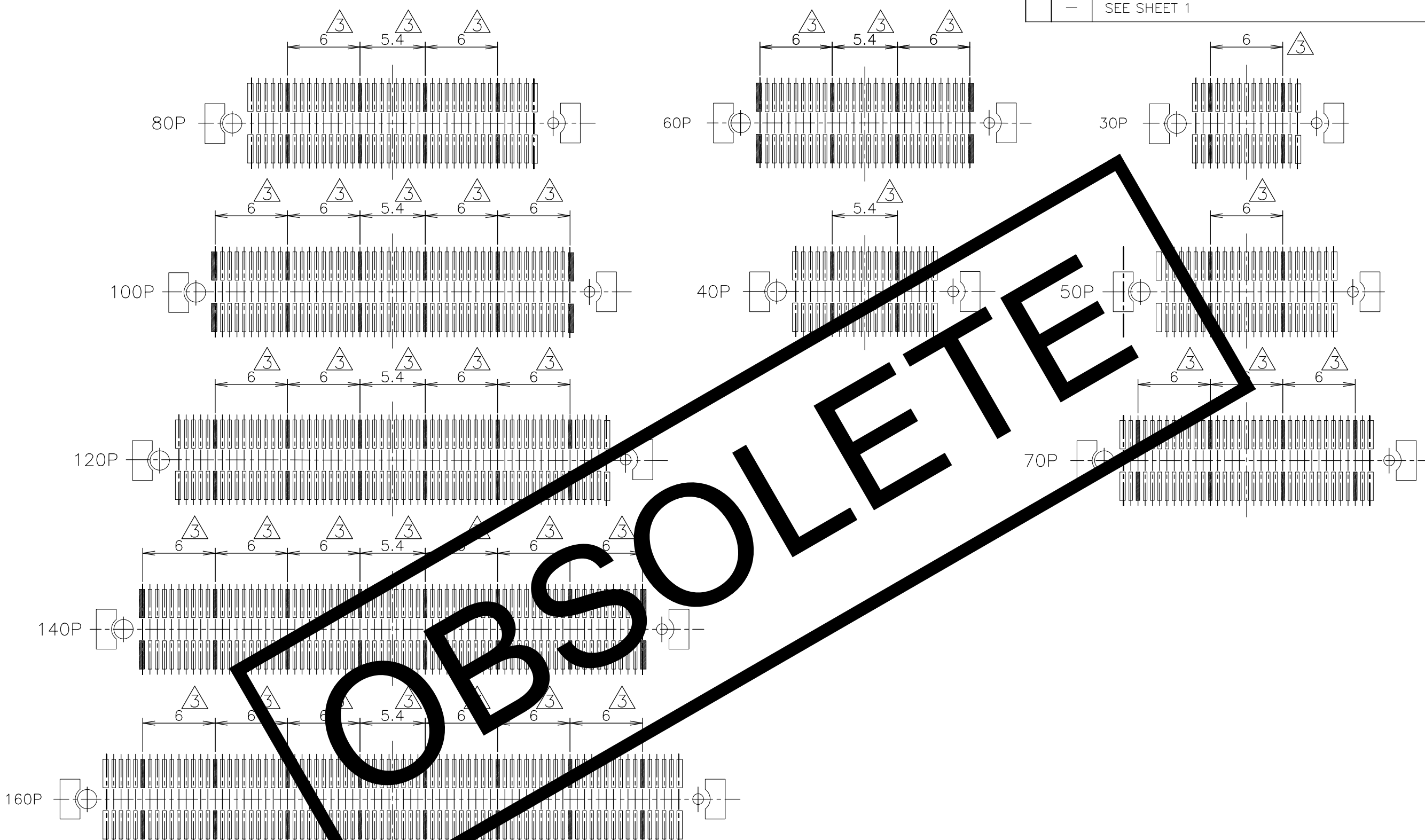
OBSOLETE

AVAILABLE	51.8	50.6	54.7	50	47.4	160
AVAILABLE	45.8	44.6	48.7	44	41.4	140
NOT AVAILABLE	39.8	38.6	42.7	38	35.4	120
AVAILABLE	33.8	32.6	36.7	32	29.4	100
NOT AVAILABLE	30.8	29.6	33.7	29	26.4	90
NOT AVAILABLE	27.8	26.6	30.7	26	23.4	80
AVAILABLE	24.8	23.6	27.7	23	20.4	70
↑	21.8	20.6	24.7	20	17.4	60
AVAILABLE	18.8	17.6	21.7	17	14.4	50
NOT AVAILABLE	15.8	14.6	18.7	14	11.4	40
NOT AVAILABLE	12.8	11.6	15.7	11	8.4	30
TOOLING STATUS	E	D	C	B	A	POS

THIS DRAWING IS A CONTROLLED DOCUMENT.		DWN	Tyco Electronics Corporation	
DIMENSIONS: MM		CHK	Kawasaki, Japan	
TOLERANCES UNLESS OTHERWISE SPECIFIED:		APVD	NAME	
0 PLC ± 0.3		PRODUCT SPEC	TRAY ASSY	
1 PLC ± 0.3		APPLICATION SPEC	FH 0.6BTB CONNECTOR	
2 PLC ± 0.3		WEIGHT	SIZE	CAGE CODE
3 PLC ± 0.3		CUSTOMER DRAWING	A3	00779
4 PLC ± 0.3			DRAWING NO	G-5316076
ANGLES ± 3'		RESTRICTED TO		
FINISH		SCALE	SHEET	REV
⚠		4:1	2 OF 3	C

THIS DRAWING IS UNPUBLISHED. RELEASED FOR PUBLICATION MAY, 1995.  
 © COPYRIGHT 1995 BY TYCO ELECTRONICS CORPORATION. ALL RIGHTS RESERVED.

LOC	DIST	REVISIONS		
J		P	LTR	DESCRIPTION
		-		SEE SHEET 1
			DATE	DWN
			-	-
				APVD
				-



THIS DRAWING IS A CONTROLLED DOCUMENT.		DWN	Tyco Electronics Corporation Kawasaki, Japan		
DIMENSIONS: MM		CHK	NAME		
TOLERANCES UNLESS OTHERWISE SPECIFIED:		APVD	TRAY ASSY FH 0.6BTB CONNECTOR PLUG 4H W/G-CONT		
0 PLC ± 0.3		PRODUCT SPEC	SIZE	CAGE CODE	DRAWING NO
1 PLC ± 0.3		APPLICATION SPEC	A3	00779	5316076
2 PLC ± 0.3		WEIGHT	RESTRICTED TO		
3 PLC ± 0.3		CUSTOMER DRAWING	SCALE 3:1 SHEET 3 OF 3 REV C		
4 PLC ± 0.3					
ANGLES ± 3'					
MATERIAL					
FINISH					

单击下面可查看定价，库存，交付和生命周期等信息

[>>TE Connectivity\(泰科\)](#)