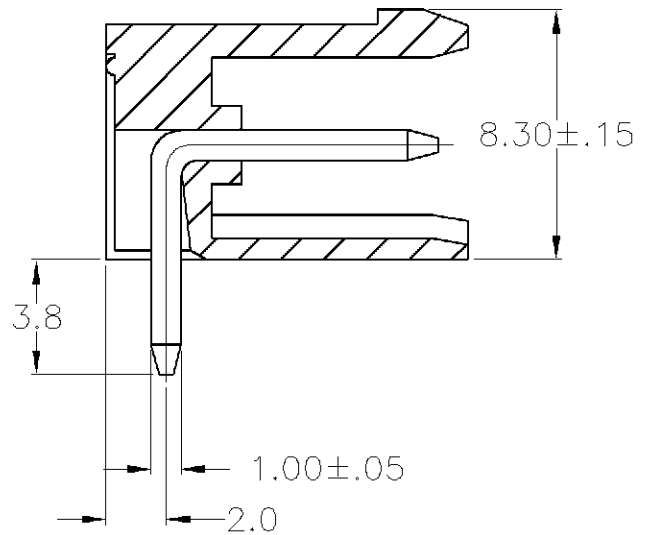
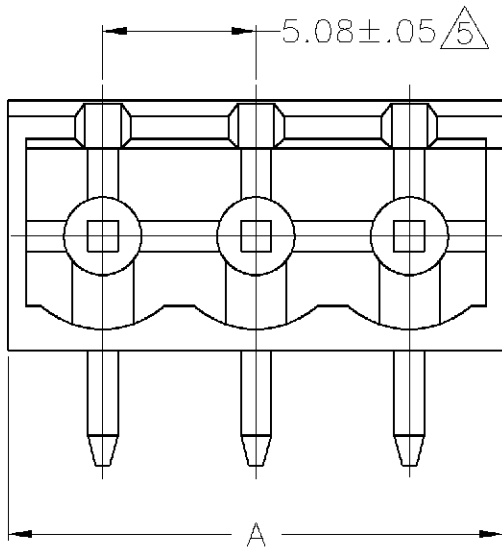


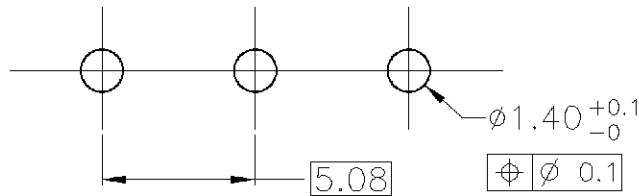
LOC FT	DIST 0	REVISIONS			
P	LTR	DESCRIPTION	DATE	DWN	APVD
	A	RELEASED	06SEP2001	EZ	SY

NOTES:

1. MATERIALS AND FINISH
HOUSING PBT, UL 94-V0, GREEN
TERMINAL: BRASS, TIN PLATED
2. RATINGS: 12A, 300V
3. SUITABLE FOR 1.6 - 2.4 mm PC BOARD THICKNESS
4. UL RECOGNITION & CSA CERTIFICATION PENDING
5. NOT CUMULATIVE TOLERANCE



RECOMMENDED PC BOARD LAYOUT



1546097-3	3	16.44
PART No	No POS.	DIMENSION A

THIS DRAWING IS UNPUBLISHED.

ALL RIGHTS RESERVED. BY TYCO ELECTRONICS CORPORATION. COPYRIGHT

DIMENSIONS: MM	DWN E. ZANOLINI	06SEP2001	MATERIAL -	FINISH -
	CHK S. YODER	06SEP2001	BUCHANAN Tyco Electronics Corporation City, State, Zip	
TOLERANCES UNLESS OTHERWISE SPECIFIED:	APVD S. YODER	06SEP2001		
0 PLC ± -	PRODUCT SPEC	-	SIZE A4	CAGE CODE 00779
1 PLC ± .2	APPLICATION SPEC	-	DRAWING NO C-1546097	RESTRICTED TO -
2 PLC ± .25	WEIGHT	-	SCALE NTS	
3 PLC ± -	CUSTOMER DRAWING	SHEET 1 OF 1		REV A
4 PLC ± -				
ANGLES ± -				

单击下面可查看定价，库存，交付和生命周期等信息

[>>TE Connectivity\(泰科\)](#)