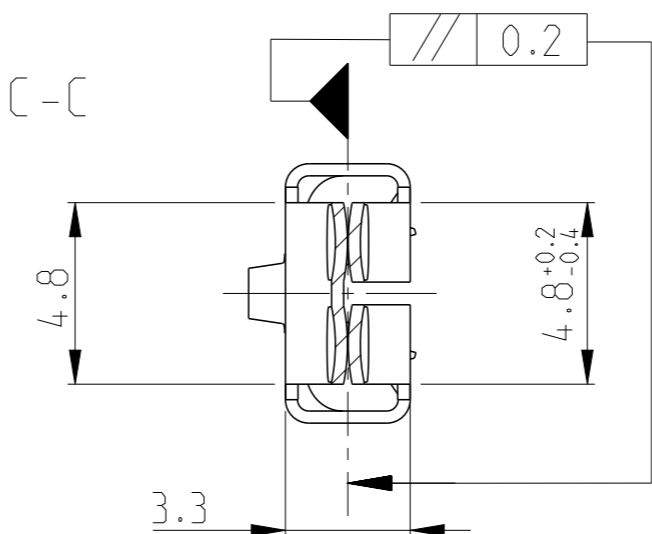
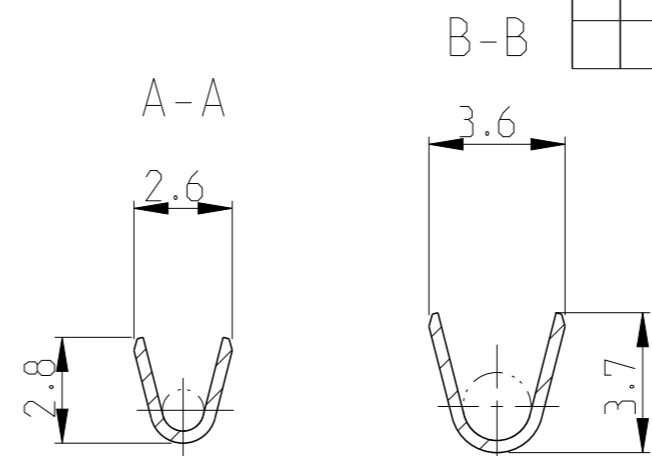
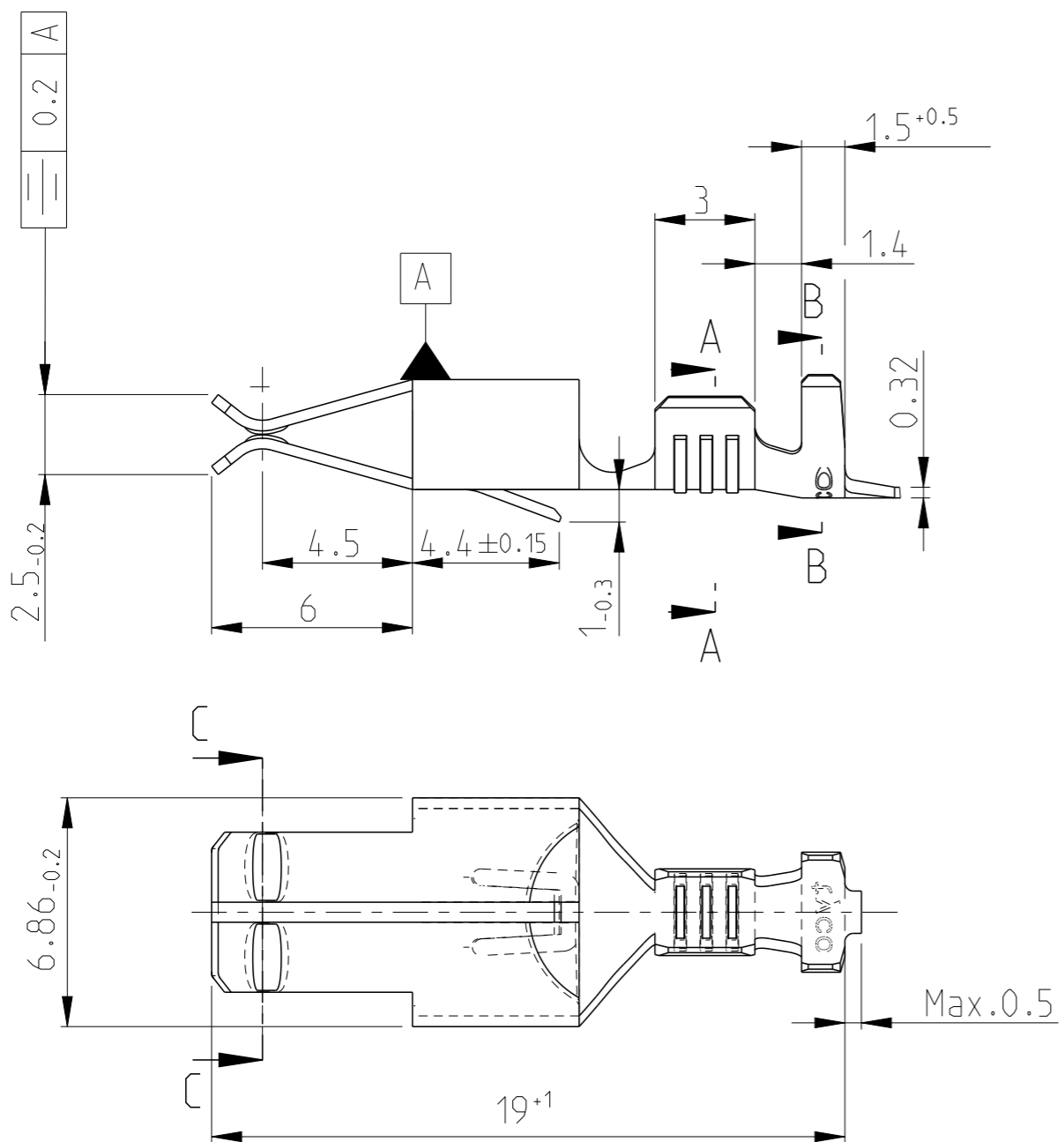


P	LTR	DESCRIPTION	DATE	DWN	APVD
	A	ECR 14-007191	28OCT2014	SK	JP
	A1	ECR-14-017645	28NOV2014	SK	JP



vorverzinkt	Kupfereisen	928820-3
vorverzinkt	Bronze	928820-2
vorverzinkt	Messing	928820-1
FINISH	MATERIAL	PART NO.

Kontakt geeignet für:
 Drahtgrößenbereich 0.5-1.0 mm²
 Isolationsbereich Ø1.4-2.3 mm

THIS DRAWING IS A CONTROLLED DOCUMENT.		DWN 28OCT2014 Shashikumar S N	STE TE Connectivity	
		CHK 28OCT2014 Pareras Javier		
DIMENSIONS: mm	TOLERANCES UNLESS OTHERWISE SPECIFIED:	APVD -	NAME STANDARD-TIMER KONTAKT	
	0 PLC ± 1 PLC ± ±0.2 2 PLC ± ± 3 PLC ± ± 4 PLC ± ± ANGLES ±0.0001 FINISH ±1	PRODUCT SPEC -	SIZE A3	
MATERIAL -	FINISH -	APPLICATION SPEC -	CAGE CODE -	DRAWING NO. C-928820
		WEIGHT -	RESTRICTED TO -	
		Customer Drawing	SCALE 5:1	SHEET 1 OF 1
				REV A1

单击下面可查看定价，库存，交付和生命周期等信息

[>>TE Connectivity\(泰科\)](#)