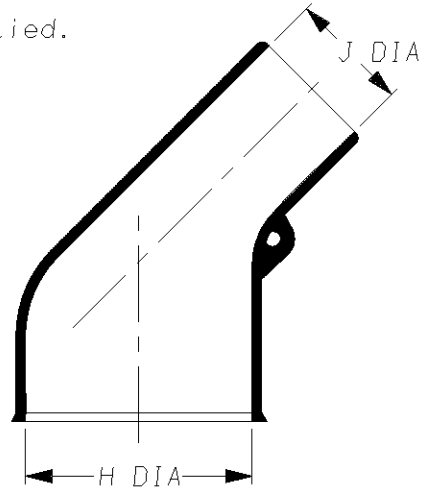


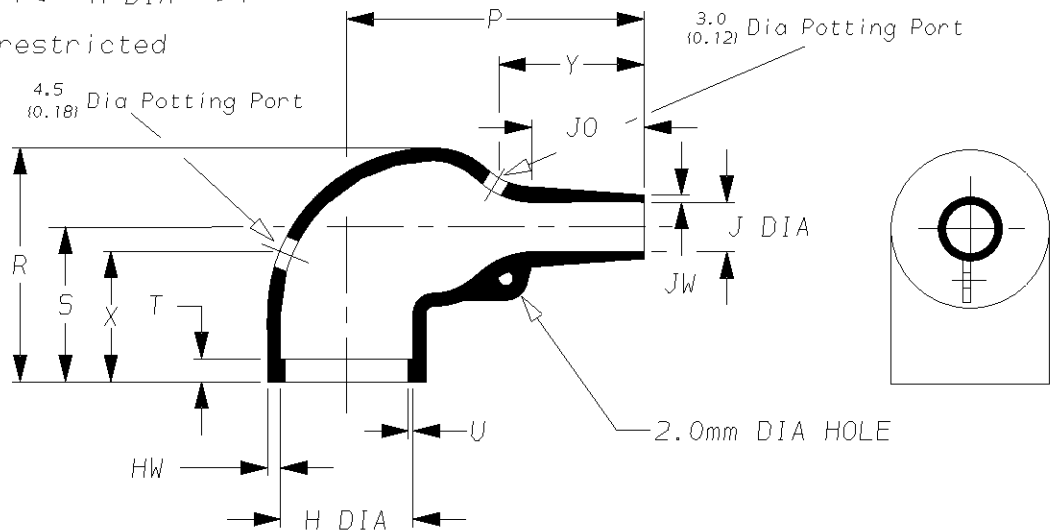
Specification Control Drawing

a) Part as supplied.



222K1**-100

b) Part after unrestricted recovery.


 DIMENSIONS in millimetres
(in inches, for reference)

Part No.	H		J		P	R	S	T	U	J0	HW	JW	X	Y
	Min a	Max b	Min a	Max b										
222K121	24 (0.94)	10.4 (0.41)	14 (0.55)	5.6 (0.22)	±10% 25 (0.98)	±10% 25 (0.98)	±10% 19 (0.75)	±10% 3.0 (0.12)	±10% 1.0 (0.04)	±10% 8.5 (0.33)	±20% 1.3 (0.05)	±20% 0.5 (0.02)	±20% 18 (0.71)	±20% 16 (0.63)
222K132	30 (1.18)	14.2 (0.56)	15 (0.59)	5.9 (0.23)	±10% 32 (1.26)	±10% 27 (1.06)	±10% 20 (0.79)	±10% 3.0 (0.12)	±10% 1.0 (0.04)	±10% 8.5 (0.33)	±20% 1.5 (0.06)	±20% 0.8 (0.03)	±20% 18 (0.71)	±20% 20 (0.79)
222K142	31 (1.22)	18.0 (0.71)	18 (0.71)	7.1 (0.28)	±10% 39 (1.54)	±10% 31 (1.22)	±10% 21 (0.83)	±10% 3.0 (0.12)	±10% 1.0 (0.04)	±10% 15.0 (0.59)	±20% 1.8 (0.07)	±20% 1.0 (0.04)	±20% 18 (0.71)	±20% 20 (0.79)
222K152	36 (1.42)	22.4 (0.88)	21 (0.83)	8.4 (0.33)	±10% 46 (1.81)	±10% 38 (1.50)	±10% 26 (1.02)	±10% 3.0 (0.12)	±10% 1.0 (0.04)	±10% 16.0 (0.63)	±20% 1.8 (0.07)	±20% 1.0 (0.04)	±20% 25 (0.98)	±20% 25 (0.98)
222K163	43 (1.69)	28.2 (1.11)	25 (0.98)	9.9 (0.39)	±10% 55 (2.17)	±10% 45 (1.77)	±10% 30 (1.18)	±10% 3.0 (0.12)	±10% 1.7 (0.07)	±10% 17.5 (0.69)	±20% 2.0 (0.08)	±20% 1.0 (0.04)	±20% 25 (0.98)	±20% 30 (1.18)
222K174	52 (2.05)	35.1 (1.38)	39 (1.54)	15.7 (0.62)	±10% 80 (3.15)	±10% 54 (2.13)	±10% 35 (1.38)	±10% 3.0 (0.12)	±10% 1.7 (0.07)	±10% 32.0 (1.26)	±20% 3.3 (0.13)	±20% 1.5 (0.06)	±20% 25 (0.98)	±20% 45 (1.77)
222K185	66 (2.60)	44.5 (1.75)	42 (1.65)	16.8 (0.66)	±10% 108 (4.25)	±10% 68 (2.68)	±10% 42 (1.65)	±10% 3.0 (0.12)	±10% 2.0 (0.08)	±10% 48.0 (1.89)	±20% 3.8 (0.15)	±20% 2.0 (0.08)	±20% 35 (1.38)	±20% 70 (2.76)

Drawn A.LILLEY. Checked

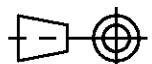
Issue 5 Date April 2008

 Conforms to ISO Recommendations
3rd Angle Projection
Not to Scale

 Approval
Design

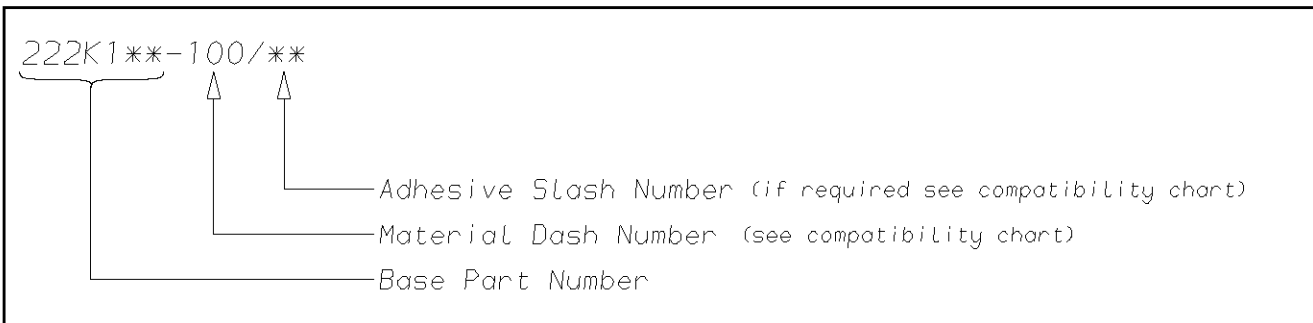
MKTG.

Tech.



TE TE Connectivity		Specification Control Drawing		Part Number	222K1**-100	Issue 5
Iss.	Date	E.C.R. No.	Details of Change			
3	December 1985	****	Redrawn			
4	April 2008	CR06-HM-012	Imperial dimensions added Drawing title was 222K121-100 to 222K185-100			

(Ordering Information)



(COMPATIBILITY CHART)

Material Dash Number	Material Description	SPEC Number	Coating Slash Number
-100	ZEROHAL	RW-2058	/86, (see note 2)

NOTES

- ① Potting Ports are optional, when specified by suffix "-00" they will be located as shown.
- ② ZEROHAL is a trademark of TE Connectivity
- ③ As supplied dimensions are for uncoated parts, when coating is added entry diameters will reduce by 1.5mm Max.

TE Connectivity Faraday Road, Swindon, Wiltshire, SN3 5HH England Telephone: (01793) 528171 Fax: 572516	TE Connectivity 300, Constitution Drive, Menlo Park, CA 94025 USA Telephone (650) 361-3860 Fax: (650) 361-5579
Cage Code K1010	Cage Code 06090

单击下面可查看定价，库存，交付和生命周期等信息

[>>TE Connectivity\(泰科\)](#)