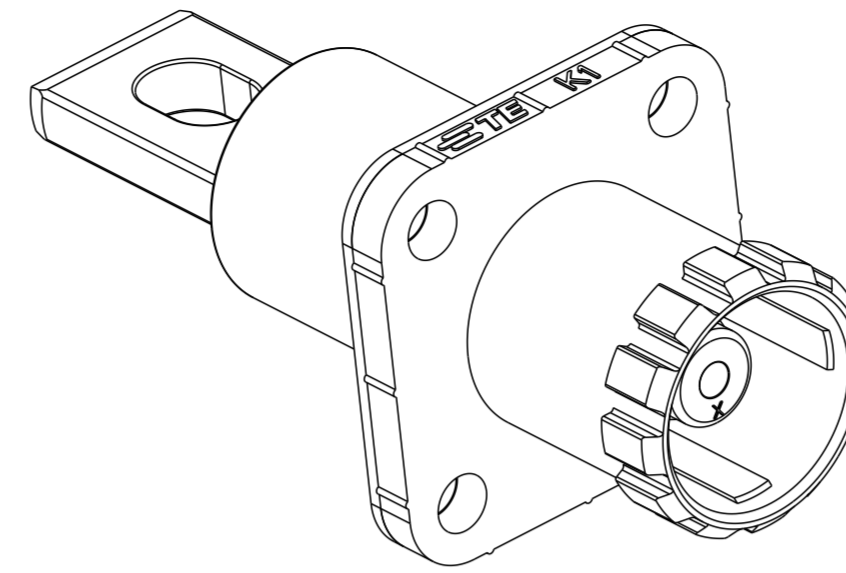
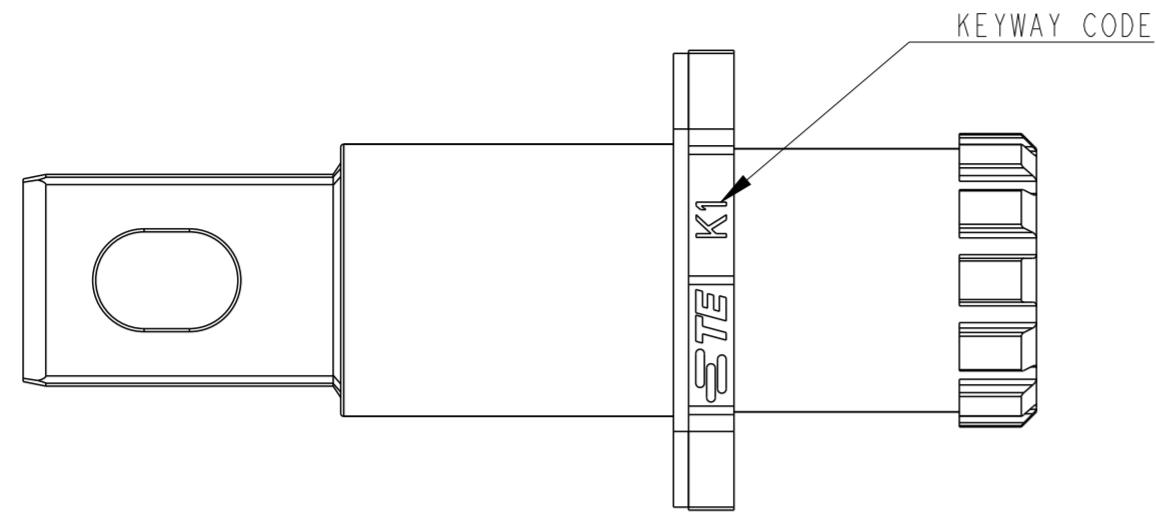


REVISIONS

P	LTR	DESCRIPTION	DATE	DWN	APVD
A		INITIAL RELEASE	28APR2022	AD	CW

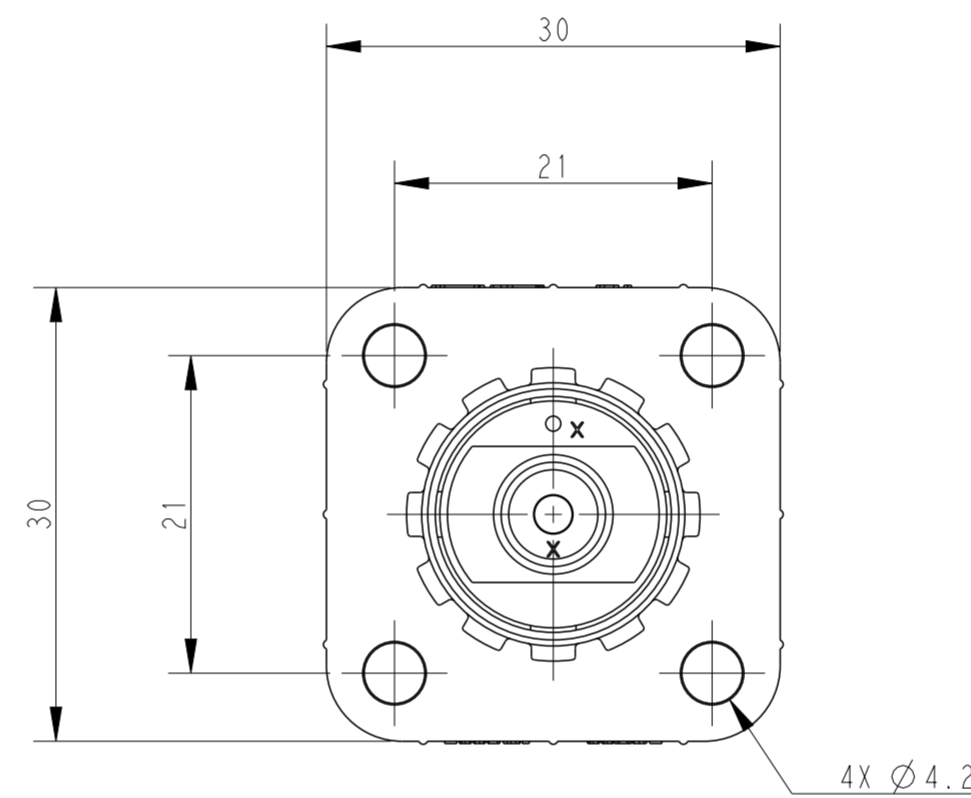
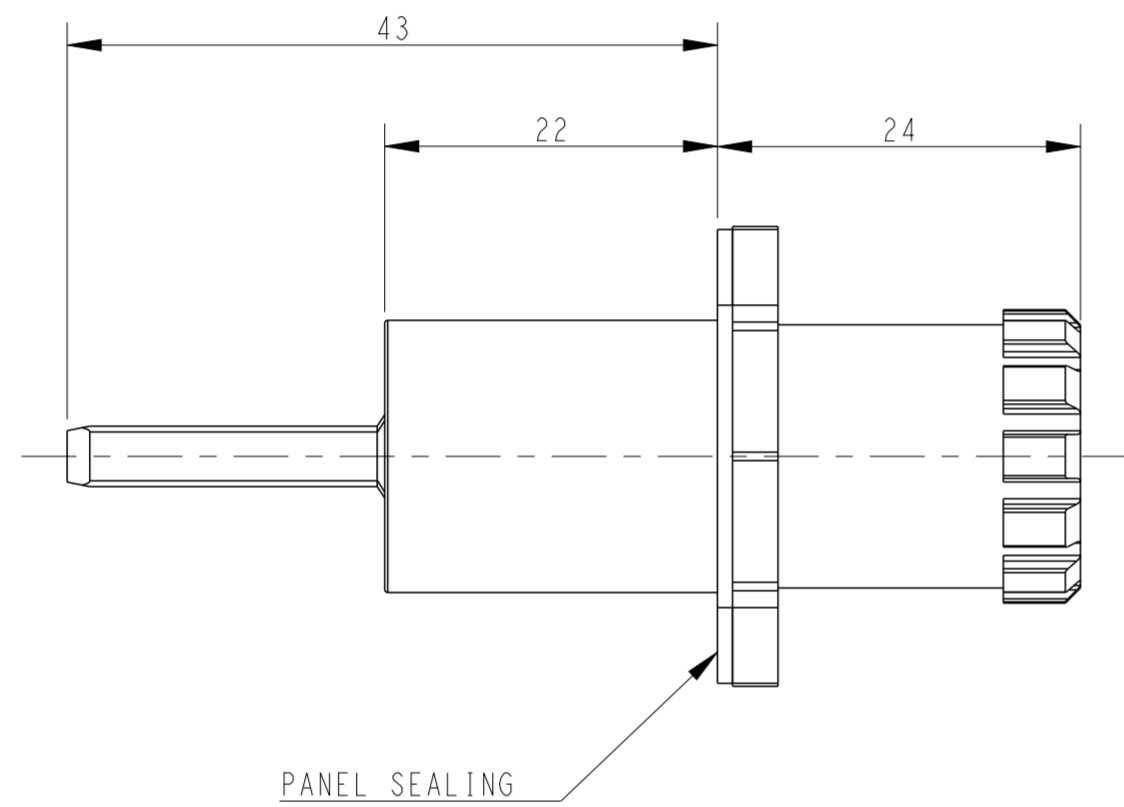


NOTES:

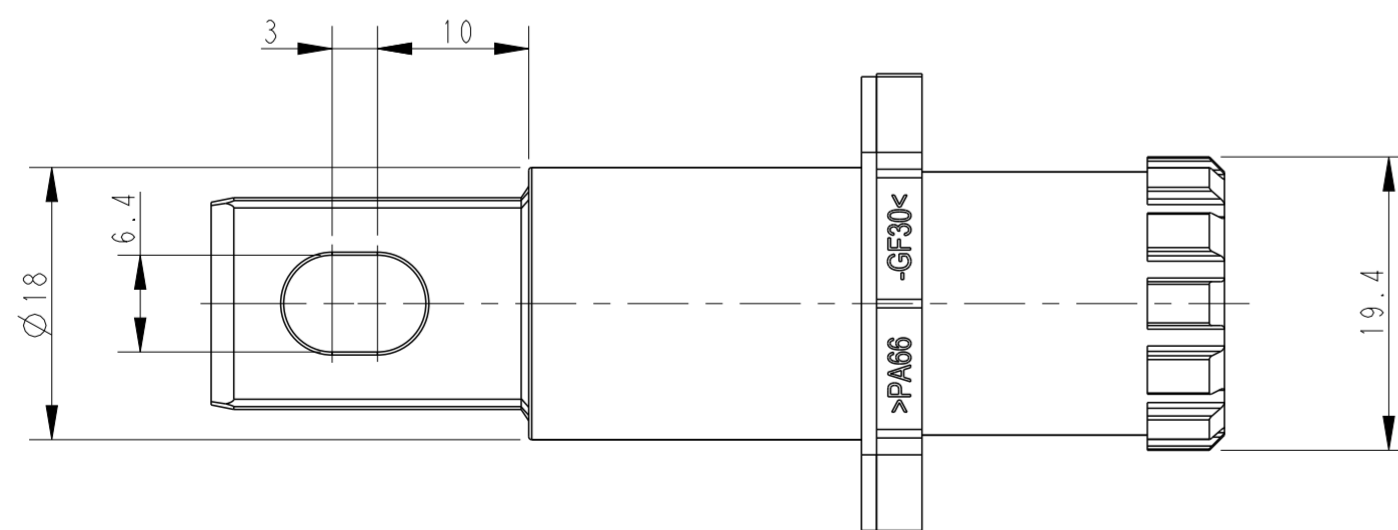
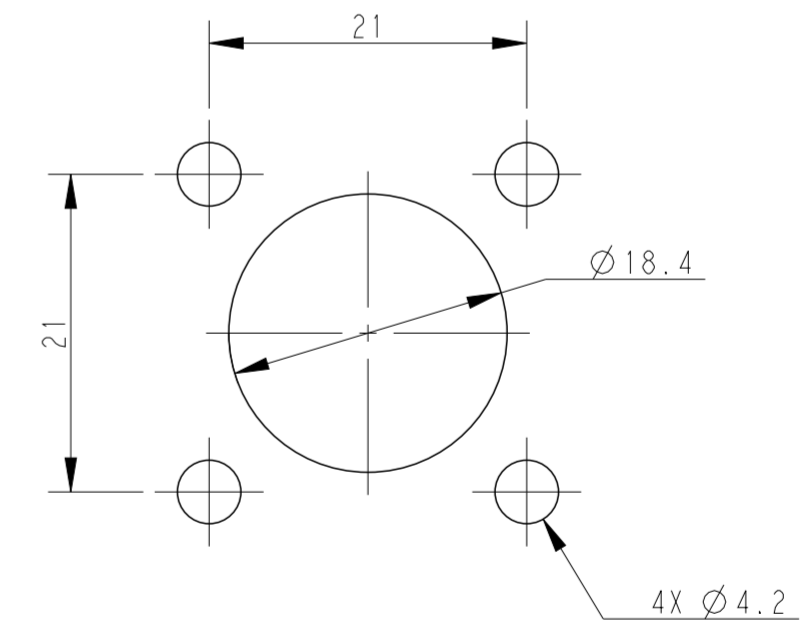
- TECHNICAL CHARACTERISTICS:  
 RATED VOLTAGE: 1500V  
 RATED CURRENT: 200A  
 INSULATION RESISTANCE: >=5000MΩ  
 RATED WITHSTAND VOLTAGE: 6.8KV  
 POLLUTION DEGREE: 3  
 CONTACT RESISTANCE: <0.5mΩ  
 PROTECTION CLASS: IP67 (MATED)  
 MATING CYCLES: 500 CYCLES  
 OPERATION TEMPERATURE: -40°C~+125°C  
 COLOR: ORANGE / BLACK

注释:

- 技术参数:  
 额定电压: 1500V  
 额定电流: 200A  
 绝缘电阻: >=5000MΩ  
 额定耐电压: 6.8KV  
 污染等级: 3  
 接触电阻: <0.5mΩ  
 防护等级: IP67(配合)  
 插拔次数: 500次  
 工作温度: -40°C~+125°C  
 颜色: 橙色 / 黑色



RECOMMENDED PANEL LAYOUT



H101100030A-000	HPC-200-M-R-OR-01	HPC, 200A, MALE RECEPTACLE, ORANGE, SINGLE CONNECTOR HPC, 200A 公端插座橙色单芯连接器			
H101100130A-000	HPC-200-M-R-BK-01	HPC, 200A, MALE RECEPTACLE, BLACK, SINGLE CONNECTOR HPC, 200A 公端插座黑色单芯连接器			
PART NUMBER 料号		DESCRIPTION 描述			
THIS DRAWING IS A CONTROLLED DOCUMENT.		DWN Alan Dong 24MAR2022	TE Connectivity		
		CHK Gino Yao 24MAR2022			
		APVD Chris Wang 24MAR2022			
		NAME			
DIMENSIONS: mm		TOLERANCES UNLESS OTHERWISE SPECIFIED:		PRODUCT SPEC 108-137616	
		0 PLC ± 1 PLC ± 2 PLC ± 3 PLC ± 4 PLC ± ANGLES ± FINISH -		APPLICATION SPEC 114-137616	
MATERIAL		WEIGHT		SIZE CAGE CODE DRAWING NO RESTRICTED TO	
-		51.5 g		A2 00779 C-H101100X30A000 -	
CUSTOMER DRAWING			SCALE	SHEET	REV
			2:1	1 OF 1	A

单击下面可查看定价，库存，交付和生命周期等信息

[>>TE Connectivity\(泰科\)](#)