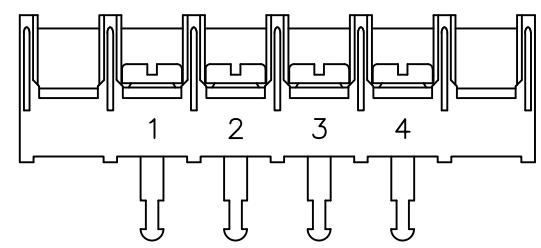
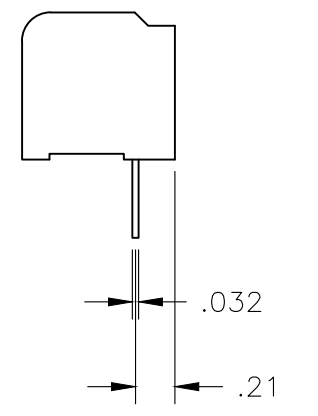
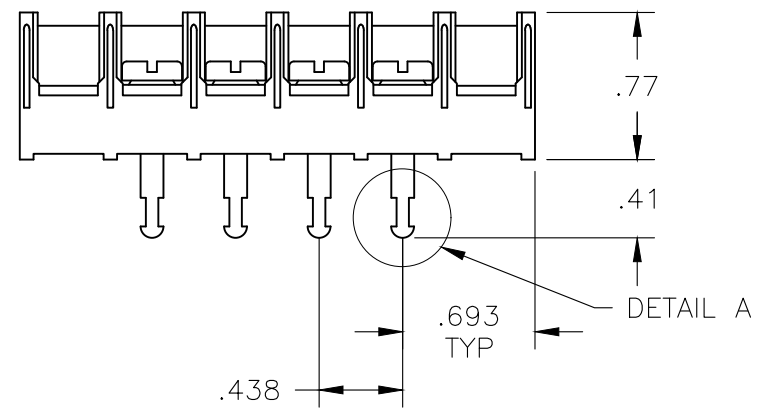
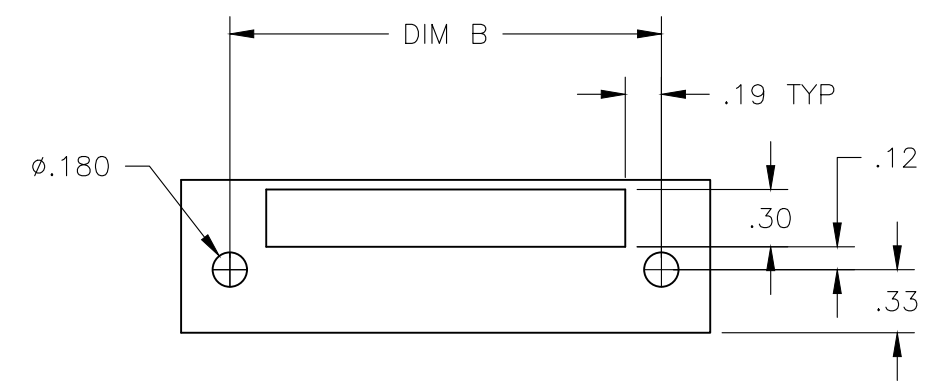
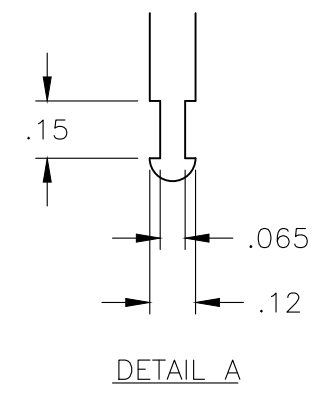
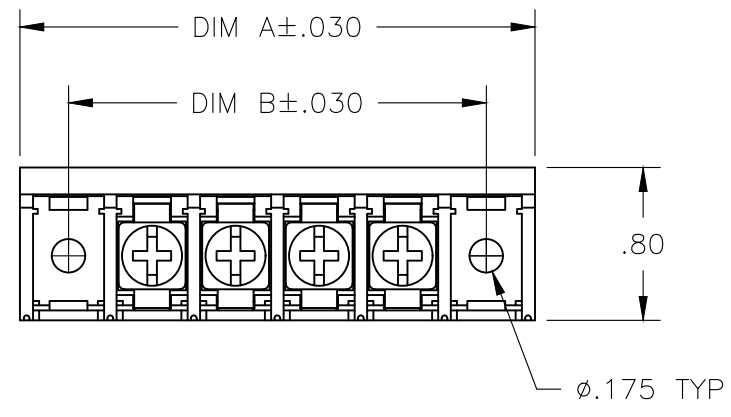
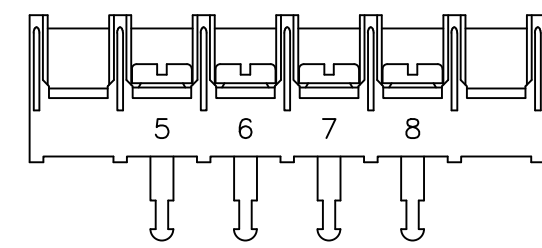


THIS DRAWING IS UNPUBLISHED. RELEASED FOR PUBLICATION
 © COPYRIGHT - TE Connectivity Ltd. ALL RIGHTS RESERVED.

REVISIONS					
P	LTR	DESCRIPTION	DATE	DWN	APVD
	D1	PART STATUS UPDATED	22JAN2018	RK	PS



1-796857-9



2-796857-0

OBSOLETE	8.312	8.823	18	8STV-18-006	1-796857-8
	7.875	8.385	17	8STV-17-006	1-796857-7
	7.437	7.948	16	8STV-16-006	1-796857-6
	7.000	7.510	15	8STV-15-006	796857-2
	6.562	7.073	14	8STV-14-006	1-796857-4
	6.125	6.635	13	8STV-13-006	1-796857-3
	5.687	6.198	12	8STV-12-006	6-1437659-6
	5.250	5.760	11	8STV-11-006	1-796857-1
	4.812	5.323	10	8STV-10-006	6-1437659-4
	4.375	4.885	9	8STV-09-006	6-1437659-3
	3.937	4.448	8	8STV-08-006	796857-8
	3.500	4.010	7	8STV-07-006	796857-7
	3.062	3.573	6	8STV-06-006	796857-1
2.625	3.135	5	8STV-05-006	796857-6	
	2.187	2.698	4	8STV-04-660	2-796857-0
OBSOLETE	2.187	2.698	4	8STV-04-659	1-796857-9
OBSOLETE	2.187	2.698	4	8STV-04-006	5-1437659-2
	1.750	2.260	3	8STV-03-006	4-1437659-8
OBSOLETE	1.313	1.823	2	8STV-02-006	796857-5
	DIM B	DIM A	NO OF POS	CATALOG NUMBER	TE PART NO

MATERIAL:
 HOUSING: THERMOPLASTIC, UL94V-0, BLACK.
 TERMINALS: BRIGHT TIN PLATED COPPER ALLOY.
 SCREWS: 8-32, ZINC PLATED STEEL.

ELECTRICAL:
 CURRENT RATING: 30A
 VOLTAGE RATING: 600V
 WIRE RANGE: 10-18 AWG (UL)
 10-22 AWG (CSA)

ENVIRONMENTAL:
 RECOMMENDED TORQUE: 20 IN-LB.
 OPERATING TEMP.: -40°C TO +120°C

OBSOLETE PARTS: OBSOLETE CIS STREAMLINING PER D.RENAUD/D.SINISI

THIS DRAWING IS A CONTROLLED DOCUMENT.		DWN S SCHLEGEL 2/6/04	TE Connectivity Ltd.														
		CHK H WAKEEM 2/6/04															
DIMENSIONS: INCHES		APVD S YODER 2/6/04	NAME														
TOLERANCES UNLESS OTHERWISE SPECIFIED:		PRODUCT SPEC	8STV-XX-006 ASSEMBLY														
<table border="0"> <tr><td>0 PLC</td><td>± -</td></tr> <tr><td>1 PLC</td><td>± -</td></tr> <tr><td>2 PLC</td><td>± .01</td></tr> <tr><td>3 PLC</td><td>± .005</td></tr> <tr><td>4 PLC</td><td>± -</td></tr> <tr><td>ANGLES</td><td>± 2'</td></tr> </table>		0 PLC	± -	1 PLC	± -	2 PLC	± .01	3 PLC	± .005	4 PLC	± -	ANGLES	± 2'	APPLICATION SPEC	RESTRICTED TO		
0 PLC	± -																
1 PLC	± -																
2 PLC	± .01																
3 PLC	± .005																
4 PLC	± -																
ANGLES	± 2'																
MATERIAL		WEIGHT	SIZE A3	CAGE CODE 00779	DRAWING NO C-4-1437659-8												
		CUSTOMER DRAWING	SCALE 1:1	SHEET 1 OF 1	REV D1												

单击下面可查看定价，库存，交付和生命周期等信息

[>>TE Connectivity\(泰科\)](#)