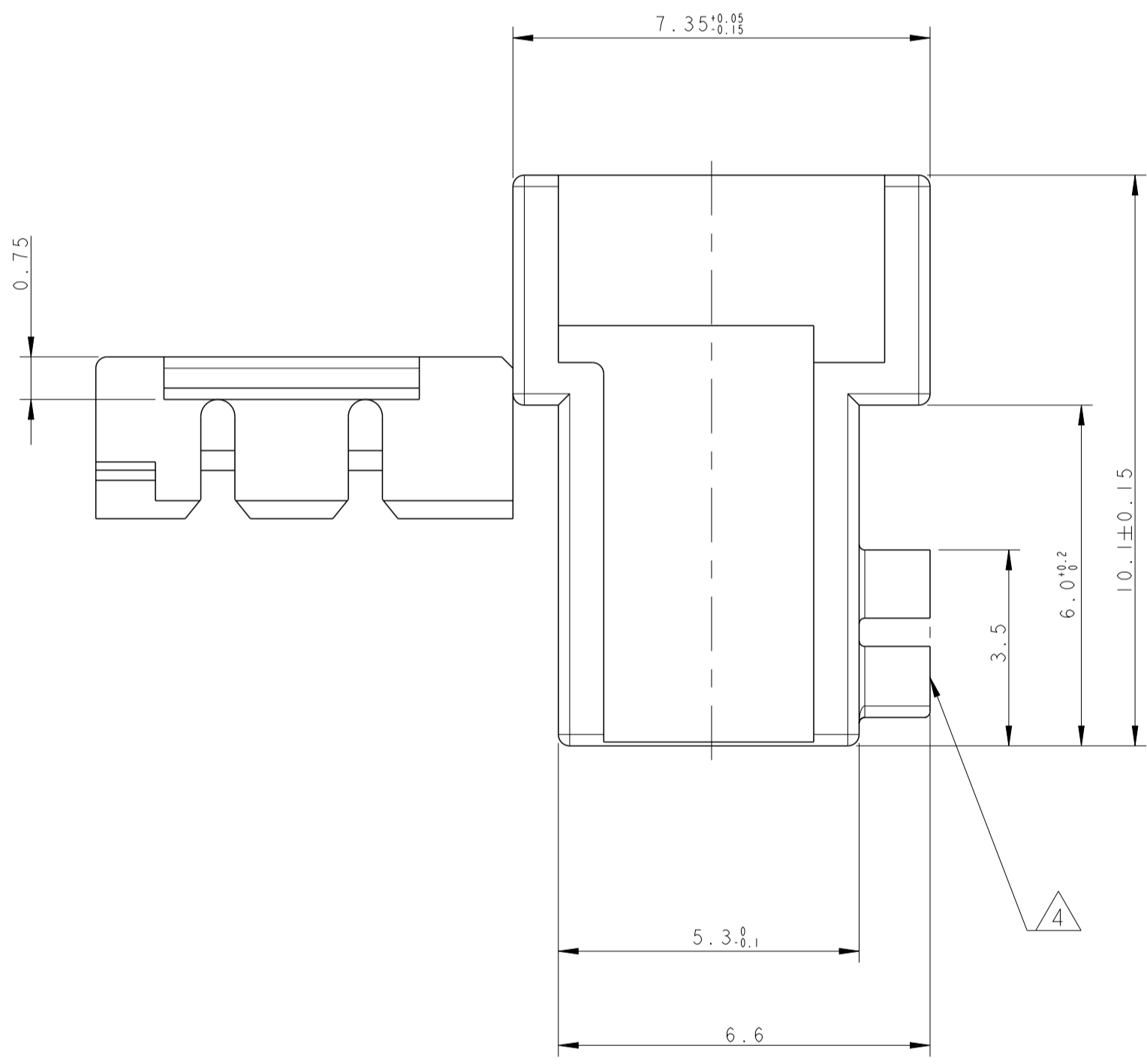
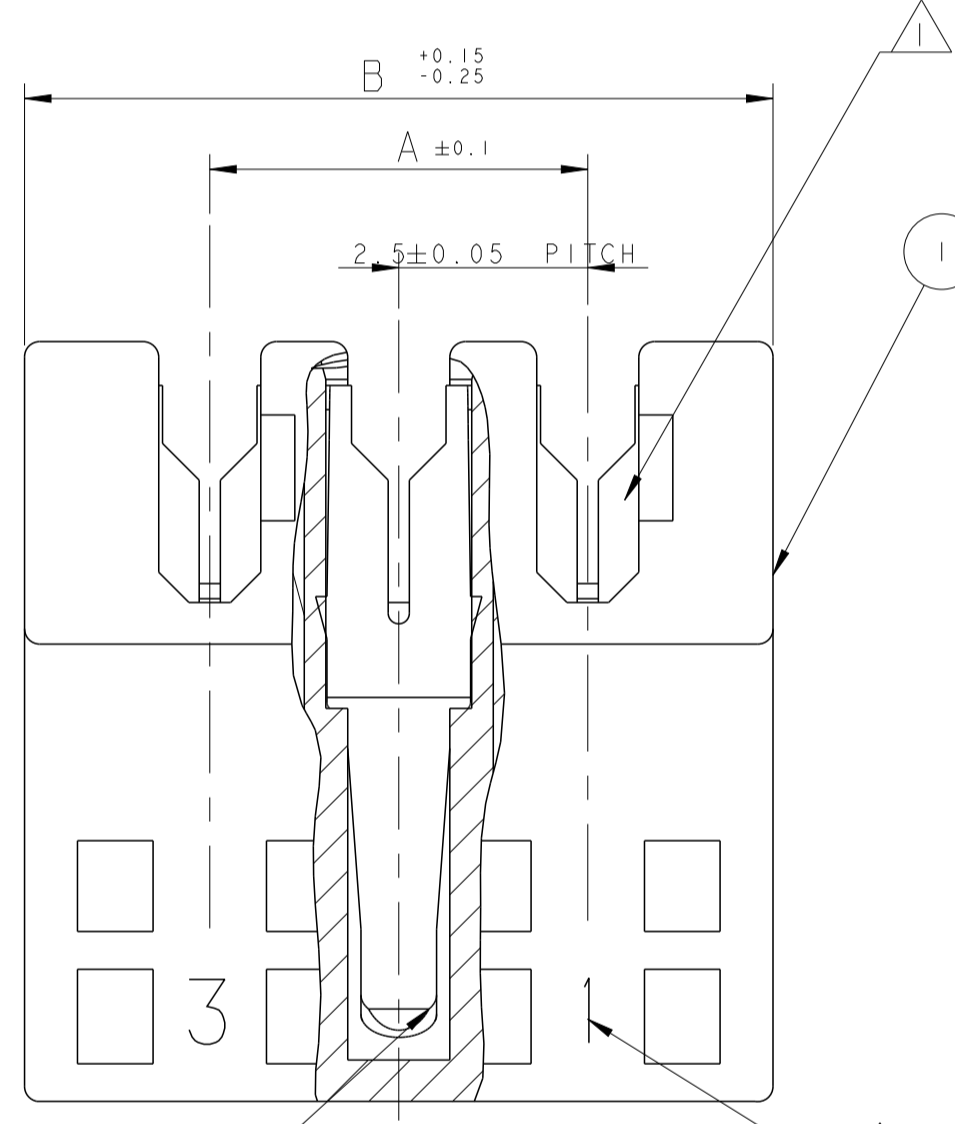
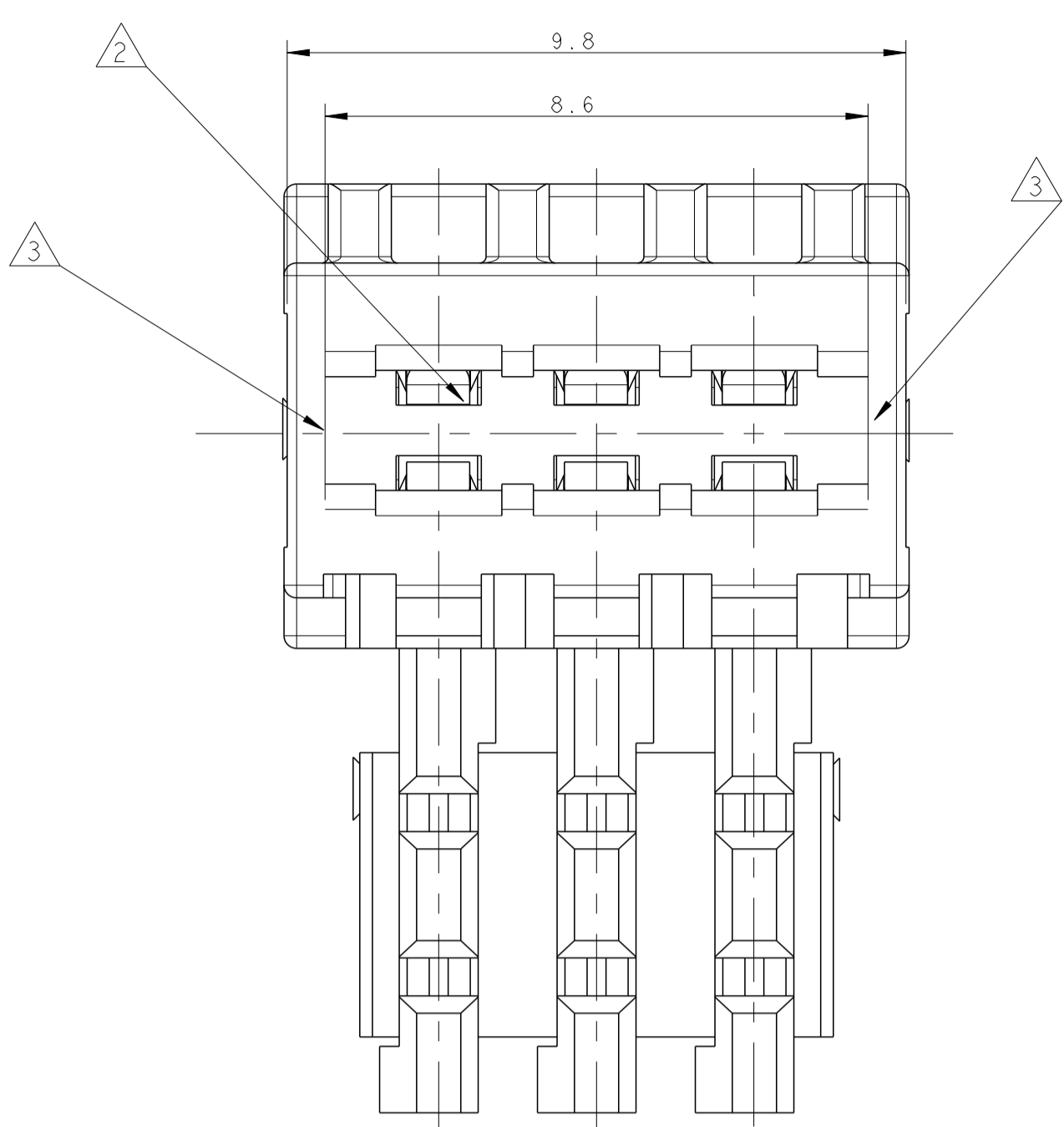
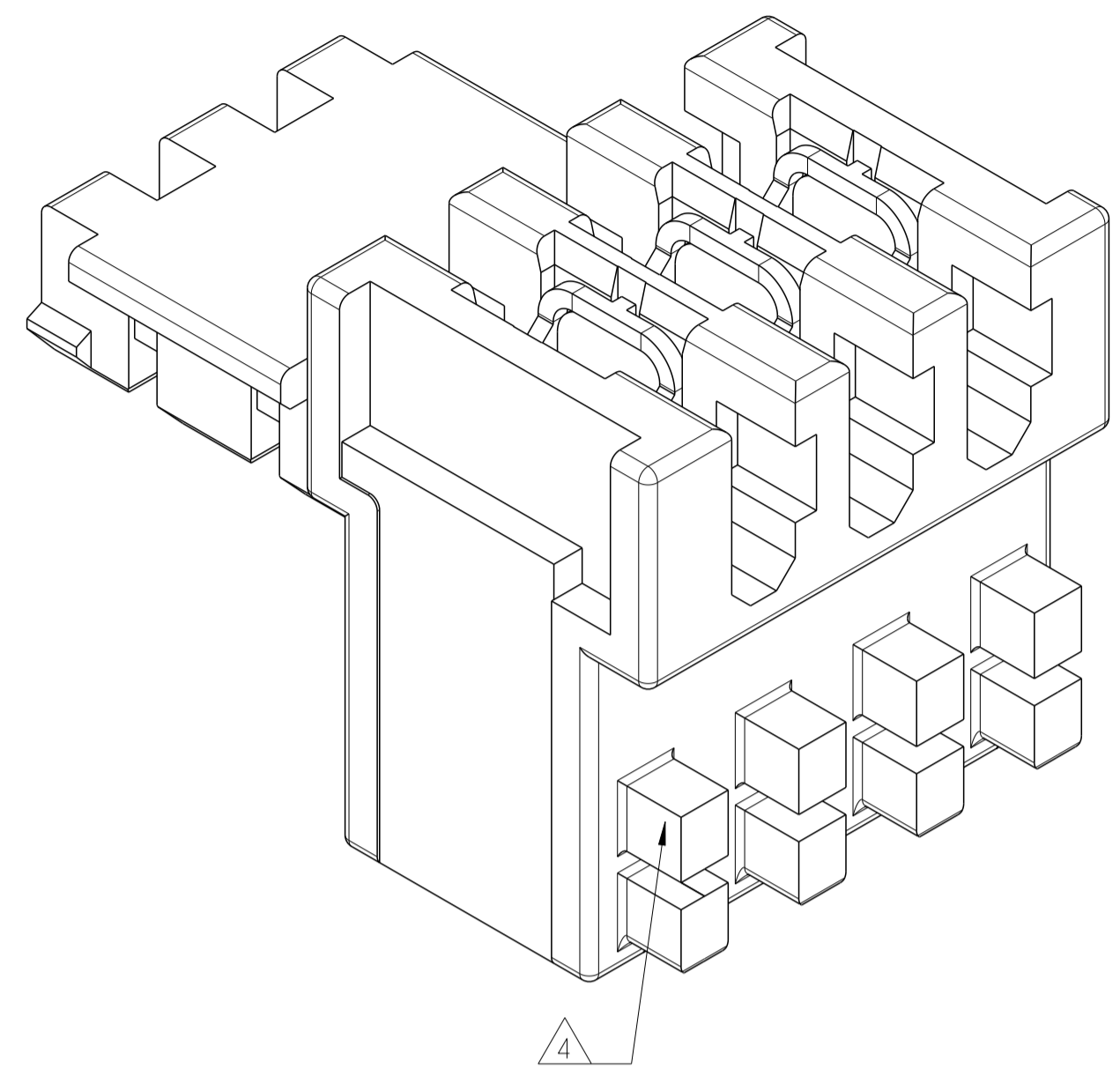
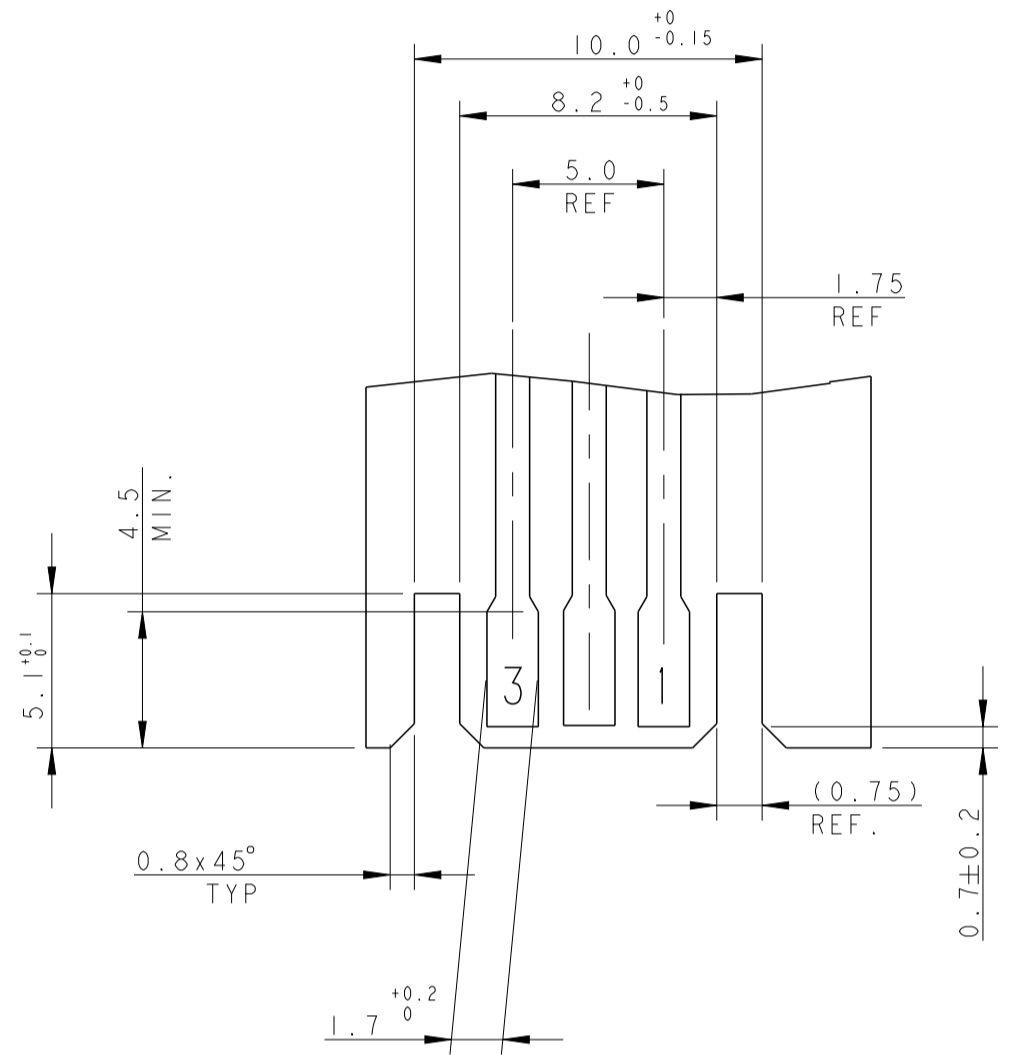


REVISIONS				
P	LTN	DESCRIPTION	DATE	APVD
B1		REVISED PER ECR-15-012073	13AUG2015	NK WW
B2		ECR-16-016334	17NOV2016	FV RR
B3		ECR-17-009651	19JUL2017	RS DC
C		ECR-19-015552	11NOV2019	KD FL

3D VIEW FOR REFERENCE



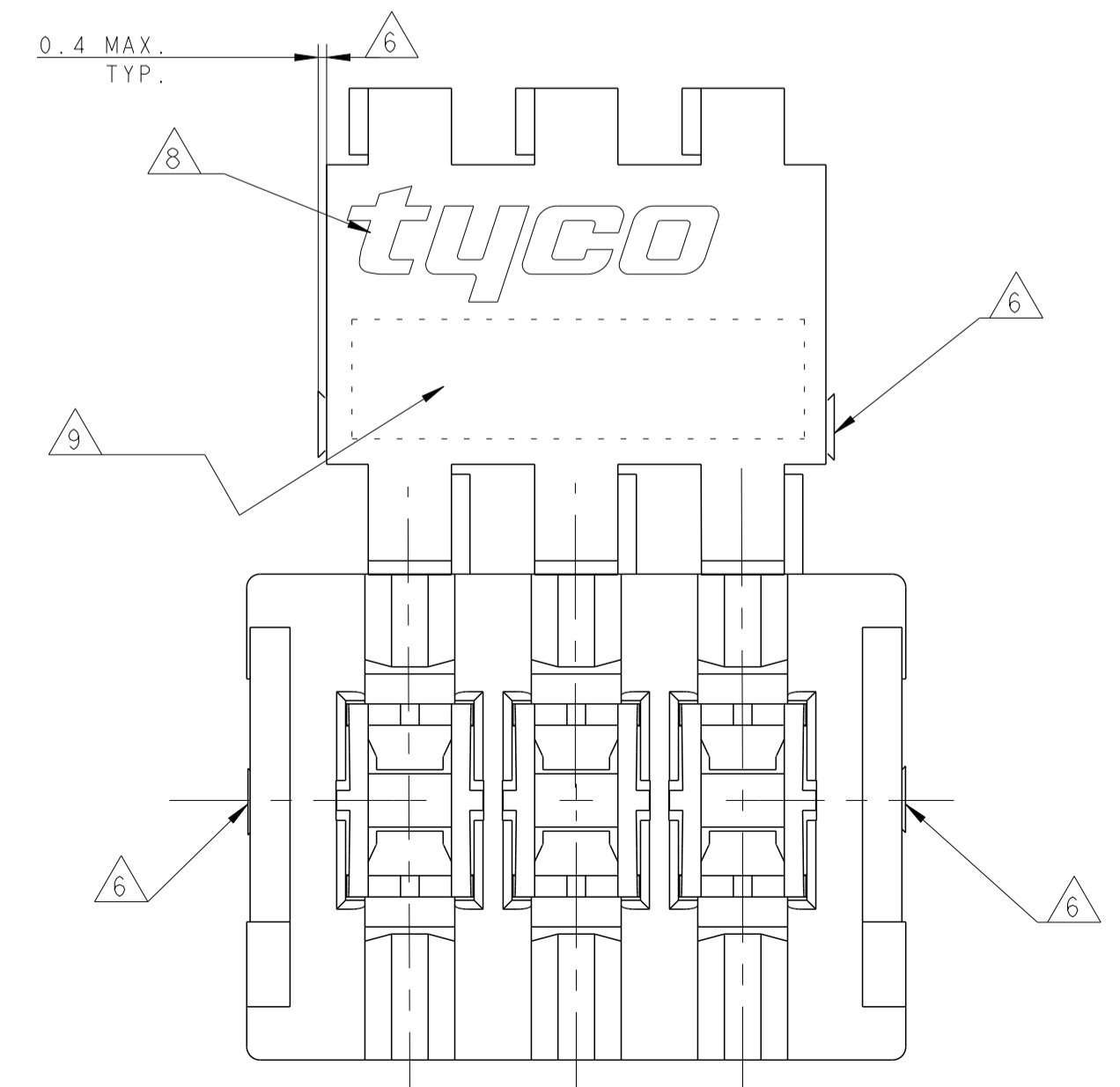
PCB SUGGESTED LAYOUT



- ▲ WIRE RANGE : STRANDED 0.22-0.35 mm (INS. DIA. 1.30±0.1)
- ▲ MATING PART: SPECIAL APPLICATION ON CUSTOMER P.C.B., SINGLE OR DOUBLE SIDE, THK 1.5 (COPPER CLADDING INCLUDED), SEE ALSO DETAIL FOR PCB LAYOUT
- ▲ EXTERNAL WALL ON BOTH SIDES
- ▲ KEYING RIBS TO BE REMOVED BY TERMINATION MACHINE
- ▲ CUT OFF DIMENSION DUE TO PRODUCTION PROCESS
- ▲ CIRCUIT No. IDENTIFICATION
- ▲ TYCO ELECTRONICS TRADEMARK (OPTIONAL POSITION)
- ▲ TAMPOGRAPHIC COLOUR CODE AREA (P/Ns IDENTIFICATION BEFORE CRIMPING AREA)
- ▲ FOR THIS SPECIAL APPLICATION THE ENGAGING END SEPARATING FORCE LIMITS REPORTED ON RELEVANT SPEC. ARE NOT APPLICABLE.
- ▲ NOT YET RELEASED FOR PRODUCTION
- ▲ PBT GF
- ▲ PBT GF, UL94-V0 & GWEPT 750 NO-FLAME, NATURAL

SUITABLE FOR SEMI-AUTOMATIC HARNESS PROCESS ONLY

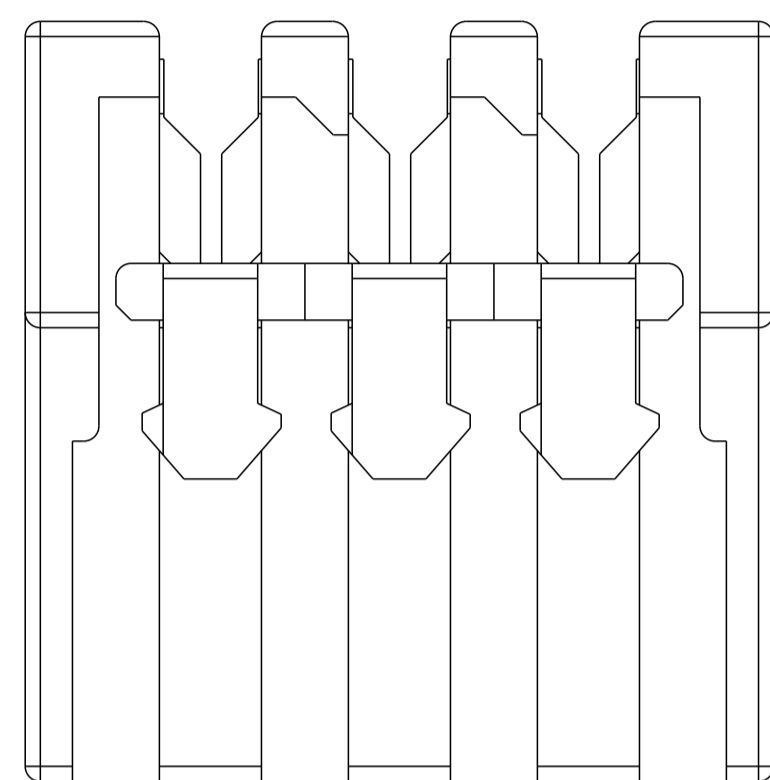
P/N 0-293132-3 AS SHOWN




ORANGE	3	5.0	9.9	0-293132-3	2311500-3
COLOUR CODE	HSG POS	DIM. A	DIM. B	TE P/N	TE P/N
THIS DRAWING IS A CONTROLLED DOCUMENT. DIMENSIONS: mm. TOLERANCES UNLESS OTHERWISE SPECIFIED: 0 PLC ±0.2, 1 PLC ±0.2, 2 PLC ±0.2, 3 PLC ±0.2, 4 PLC ±0.2, ANGLES ±1°. FINISH: SEE TABLE.					
SEE TABLE	PH. BRONZE, TIN PLATED	IDC RECEPTACLE CONTACT	2	DWN: C. CORDOLA 03 OCT 06 APVD: - NAME: <b>STE</b> TE Connectivity PRODUCT SPEC: 108-18056 APPLICATION SPEC: 114-18049-1 WEIGHT: - CUSTOMER DRAWING: A100779C=293132	
Q.TY	MATERIAL	DESCRIPTION	ITEM	REVISIONE DELL'ASSEMBLATO (REVISION OF EACH ASSY NO) ELENCO DEI COMPONENTI (PARTS LIST)	
0.14 PER ASSEMBLATO (0.14 REF. PER ASSY)					

THIS DRAWING IS UNPUBLISHED. RELEASED FOR PUBLICATION 20  
 © COPYRIGHT 20 BY - ALL RIGHTS RESERVED.

REVISIONS				
P.	LTN	DESCRIPTION	DATE	APVD
		SEE SHEET 1		



THIS DRAWING IS A CONTROLLED DOCUMENT.		DWN C. CORDOLA	03 OCT 06	 TE Connectivity	
DIMENSIONS:		CHK -	APVD -		
mm	TOLERANCES UNLESS OTHERWISE SPECIFIED:	PRODUCT SPEC 108-18056		RESTRICTED TO	
	0 PLC ±0.2	APPLICATION SPEC		SIZE CAGE CODE DRAWING NO	
	1 PLC ±0.2	114-18049-1		A 100779 C=293132	
	2 PLC ±0.2	WEIGHT		SCALE 10:1 SHEET 2 OF 2 REV C	
	3 PLC ±	CUSTOMER DRAWING			
	4 PLC ±				
	ANGLES ±1°				
MATERIAL SEE TABLE	FINISH SEE TABLE				

单击下面可查看定价，库存，交付和生命周期等信息

[>>TE Connectivity\(泰科\)](#)