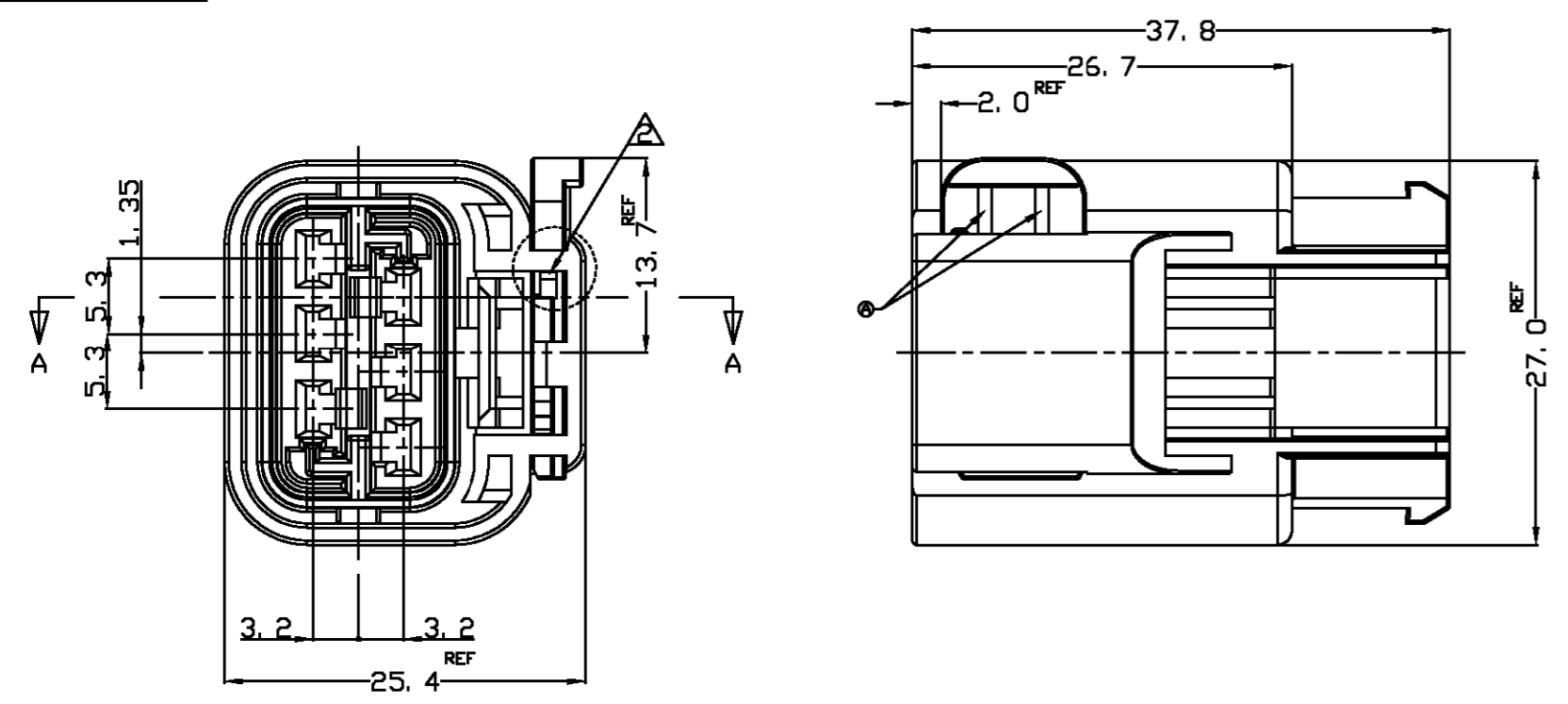


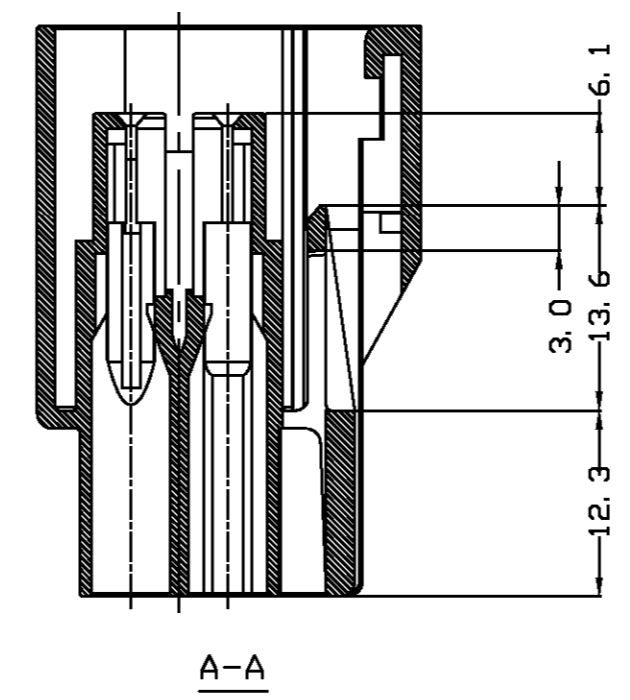
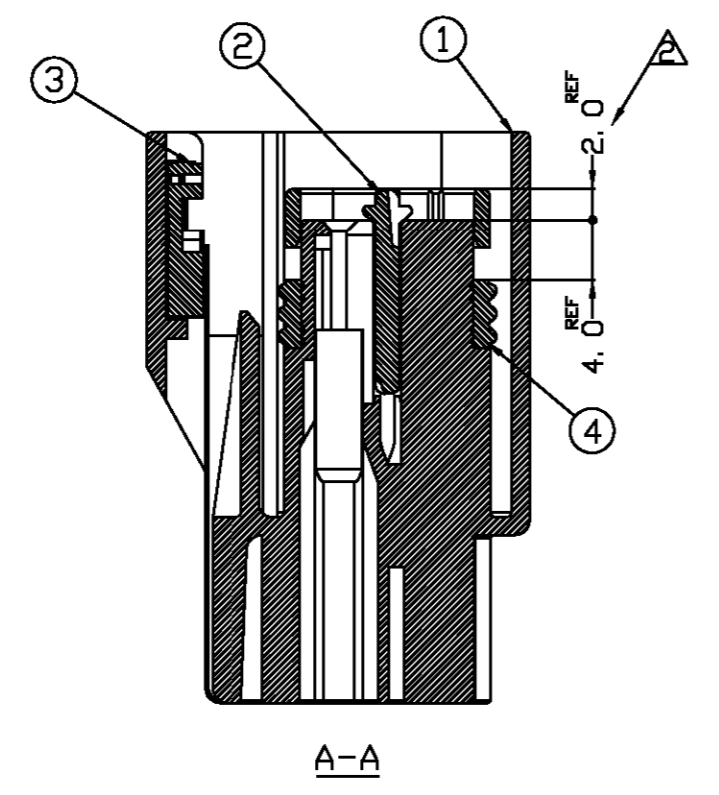
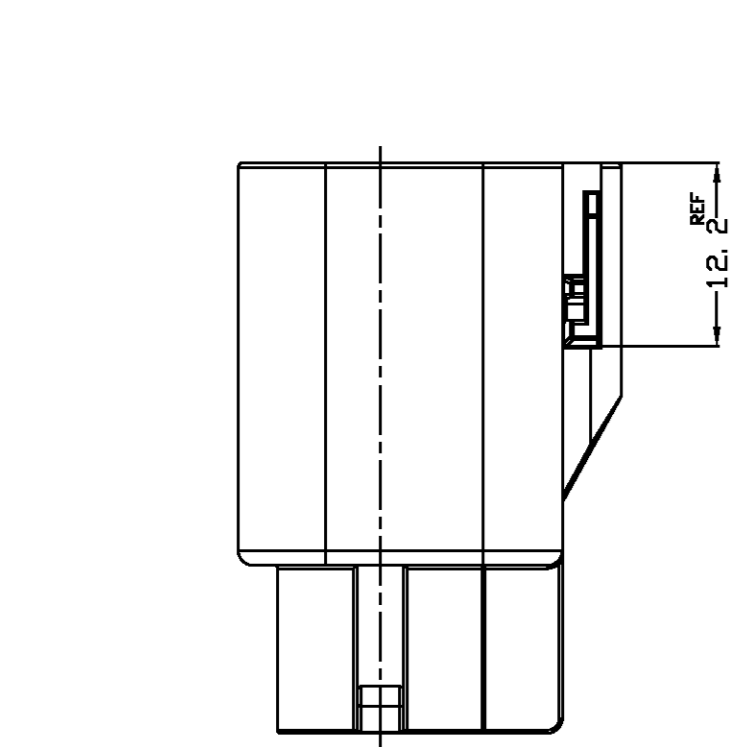
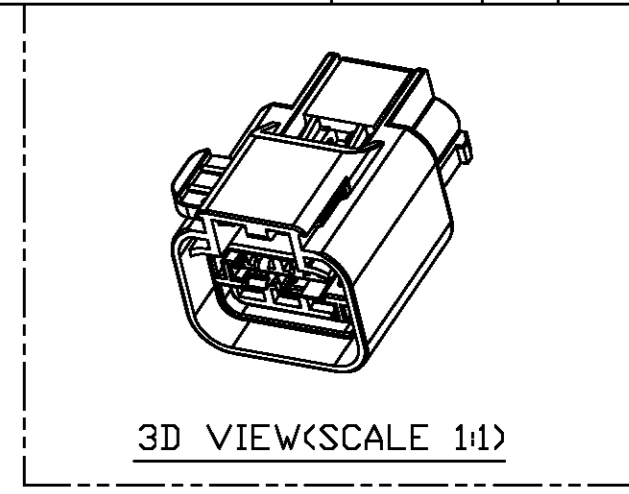
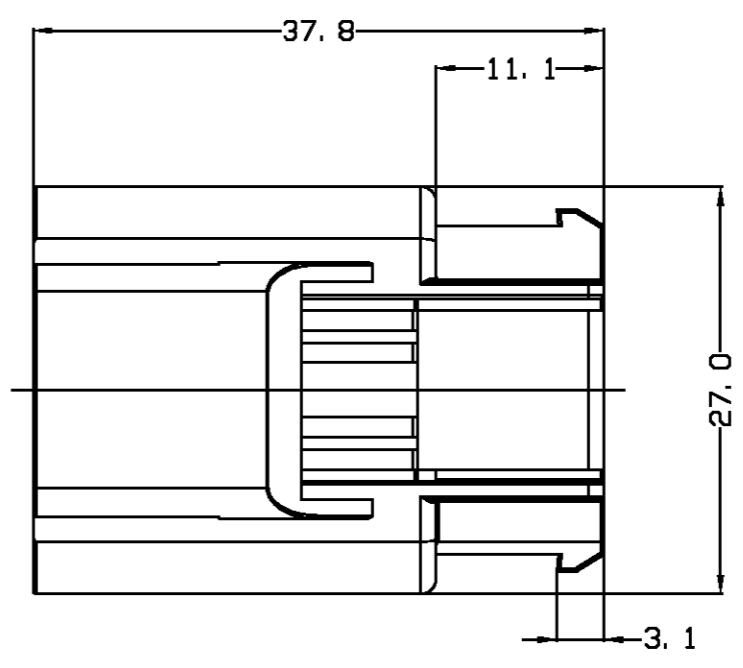
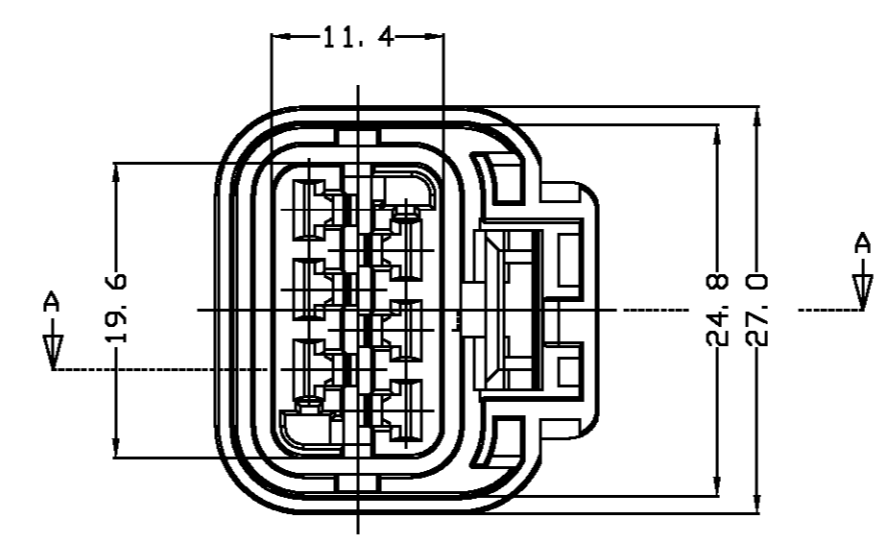
THIS DRAWING IS UNPUBLISHED.
 RELEASED FOR PUBLICATION
 .19
 © COPYRIGHT 19 BY AMP INCORPORATED. ALL RIGHTS RESERVED.

LOC		DIST		REVISIONS			
P	LTR	DESCRIPTION	DATE	BY	APVD		
	□	RELEASED<FC00-0035-02>	25/FEB/02	MS	CS		
	A	REVISED<FC00-0037-04>	05/MAR/04	MS	CS		

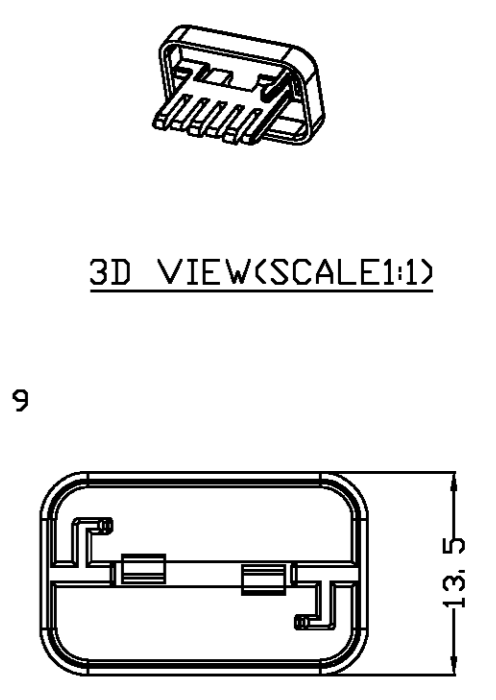
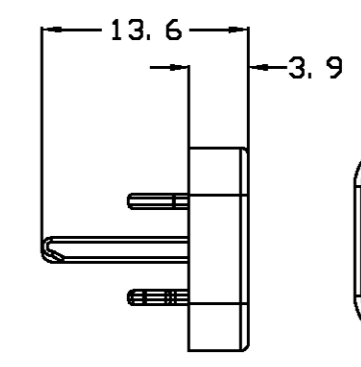
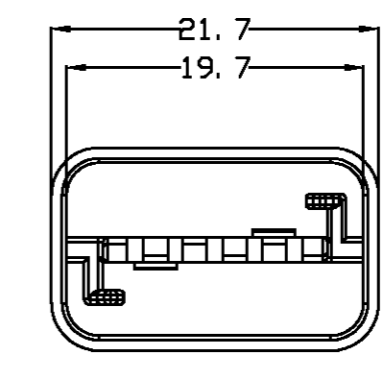
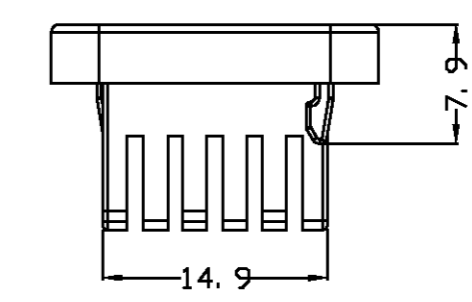
ASSEMBLY
SCALE 2:1



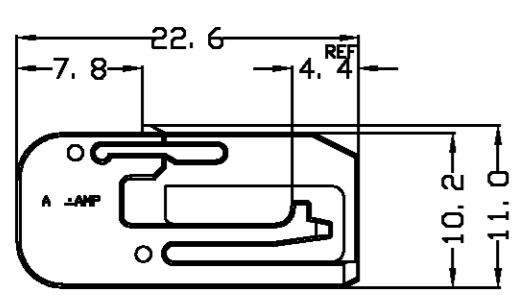
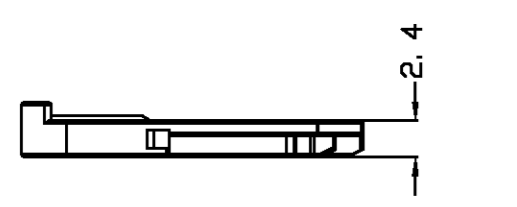
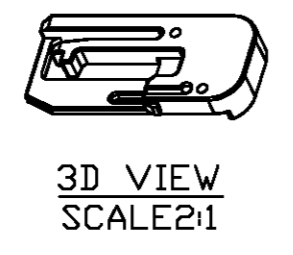
1. PLUG HSG<SCALE 2:1>



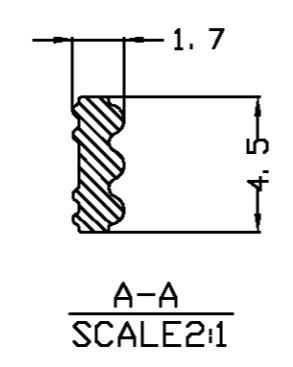
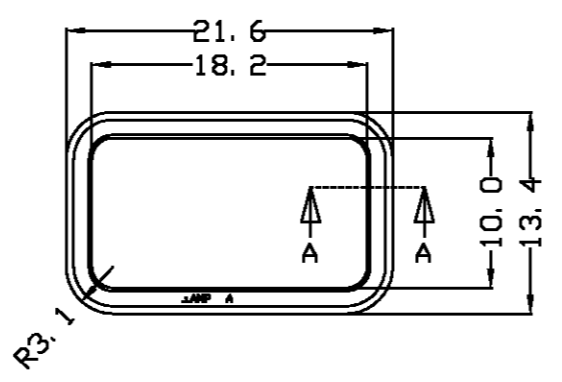
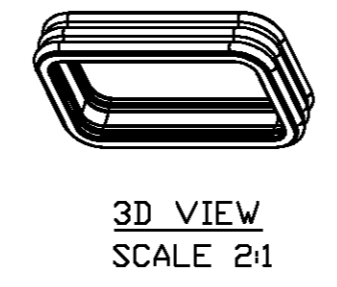
2. DBL HSG<SCALE 2:1>



3. CPA PLATE<SCALE 2:1>



4. INNER SEAL<SCALE 2:1>



- NOTE:
- GENERAL TOLERANCE IS ±0.3
 - CONDITION OF DELIVERY : DBL & CPA IN 1st. LOCKING POSITION.
 - APPLIED RECEPTACLE CONTACT P/N:

CONTACT	JPT TERMINAL		
Part NO.	927772-3	927770-3	927766-3
WIRE SIZE(mm ²)	0.3	0.5-1.0	1.5-2.5

4. APPLIED SEAL RETAINER P/N : 936162-1

NO.	DESCRIPTION	P/N	MATERIAL	COLOR
4	INNER SEAL	368967	SILICON	RED ORANGE
3	CPA PLATE	936042	PBT GF20	YELLOW ORANGE
2	DBL HSG	936161	PBT GF10	BLACK
1	PLUG HSG	936160	PBT GF20	CLAY BROWN

THIS DRAWING IS A CONTROLLED DOCUMENT FOR AMP INCORPORATED. IT IS SUBJECT TO CHANGE AND THE CONTROLLING ENGINEERING ORGANIZATION SHOULD BE CONTACTED FOR THE LATEST REVISION.		DIVN : MS HER
DIMENSIONS: MM		CHK : BM JANG
TOLERANCES UNLESS OTHERWISE SPECIFIED		APVD : CS LEE
0 <XX<10	± 0.2	PRODUCT SPEC
10 <XX<30	± 0.25	APPLICATION SPEC
30 <XX<	± 0.3	WEIGHT
ANGLES	± 3°	
3rd ANGLE PROJECTION		
MATERIAL	FINISH	
SEE TABLE		

AMP KOREA, kyungsan, korea	
NAME: FUEL PUMP 6P CONN'R ASS'Y<JPT>	
SIZE: A2	CAGE CODE: 00779
DRAWING NO: 936159	SCALE: 2:1
SHEET: 1 OF 1	REV: A

单击下面可查看定价，库存，交付和生命周期等信息

[>>TE Connectivity\(泰科\)](#)