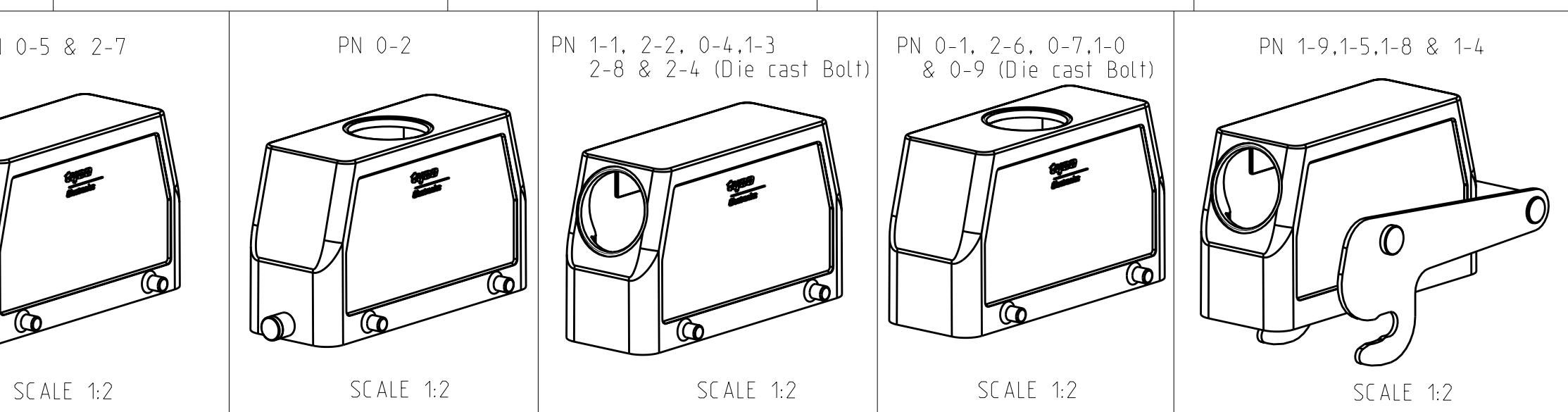
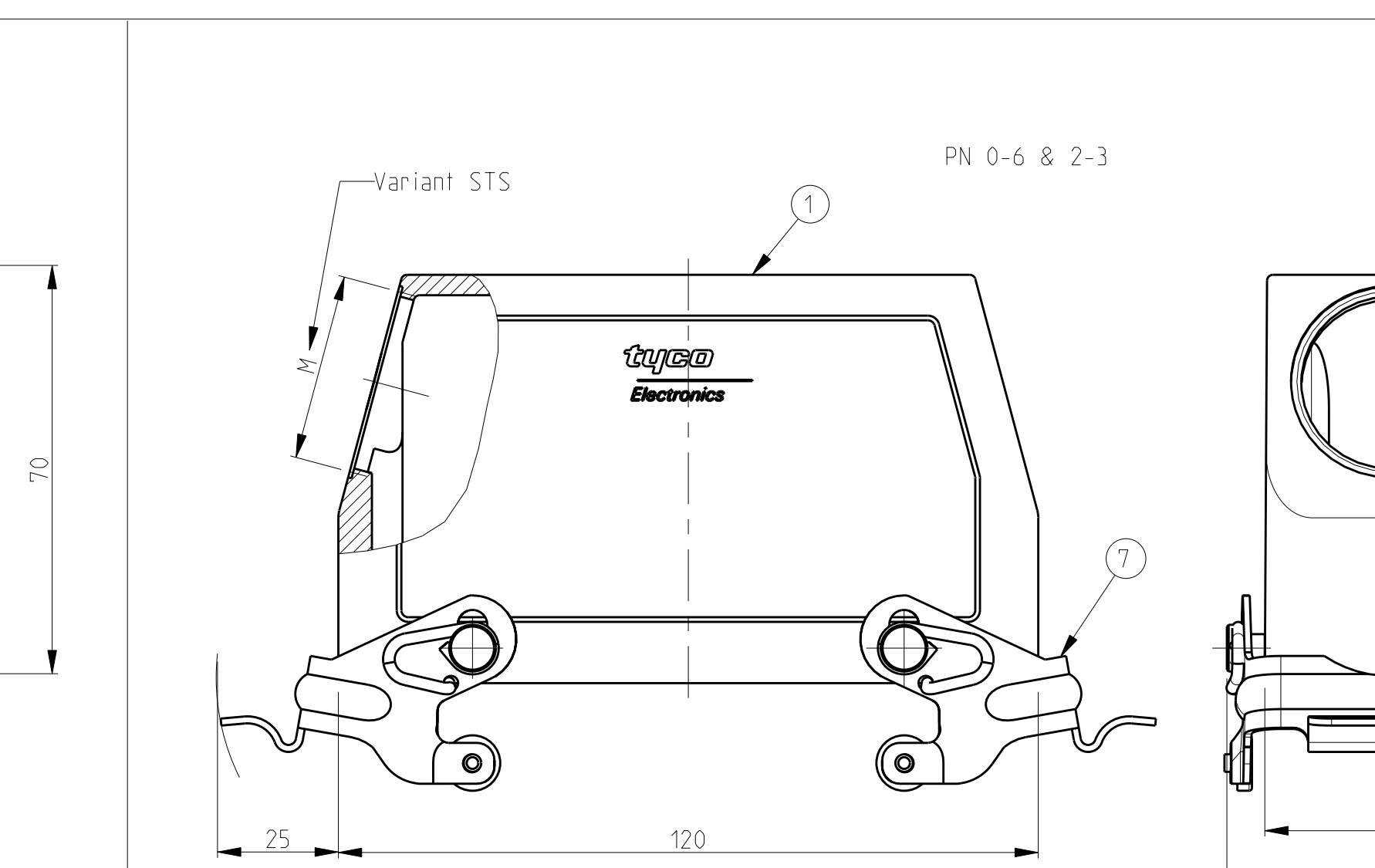
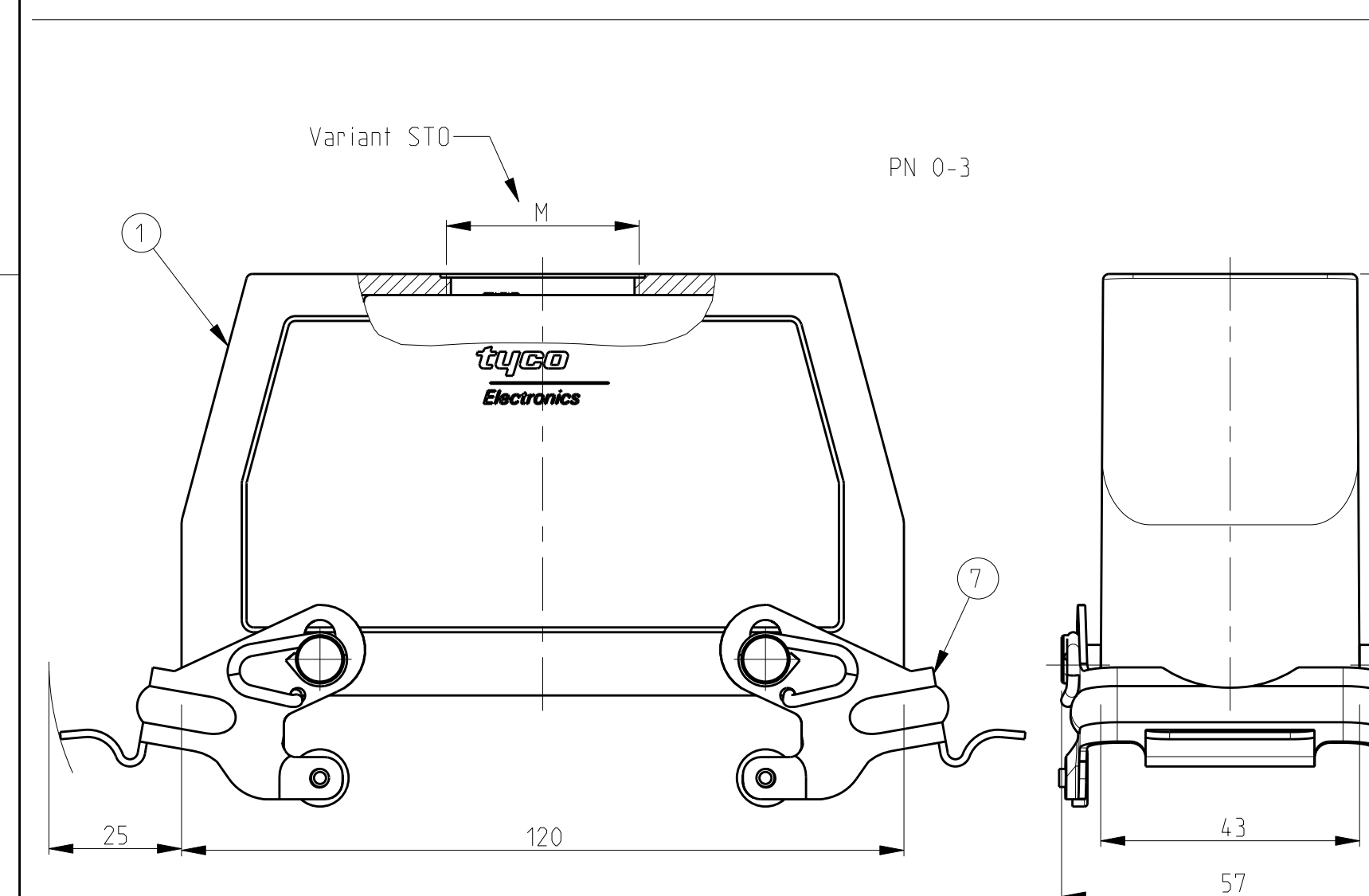
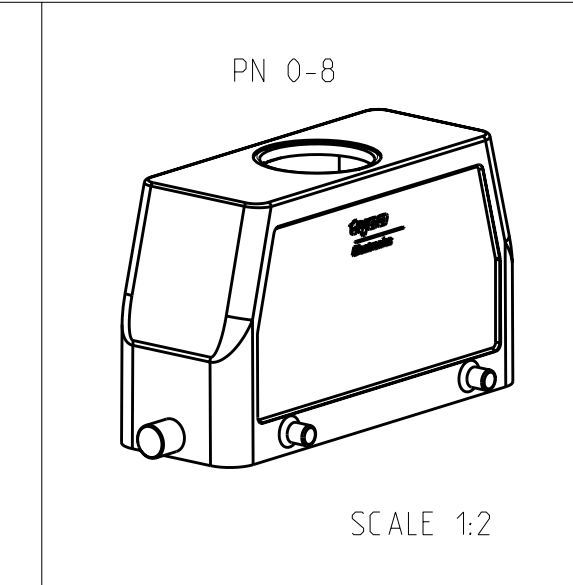
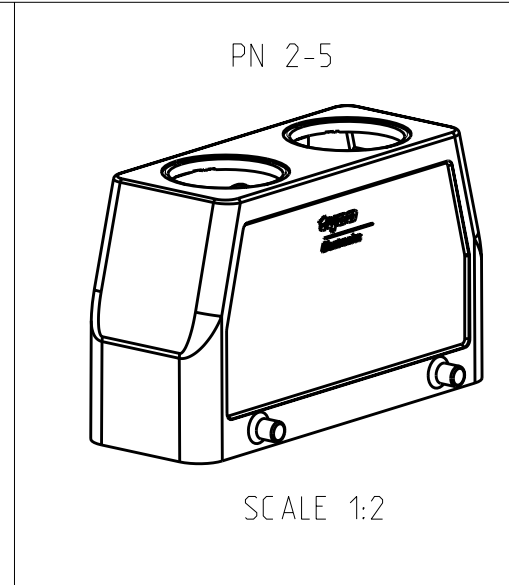
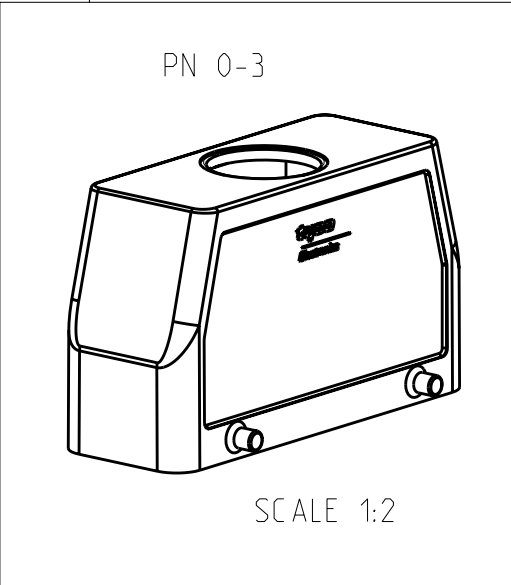
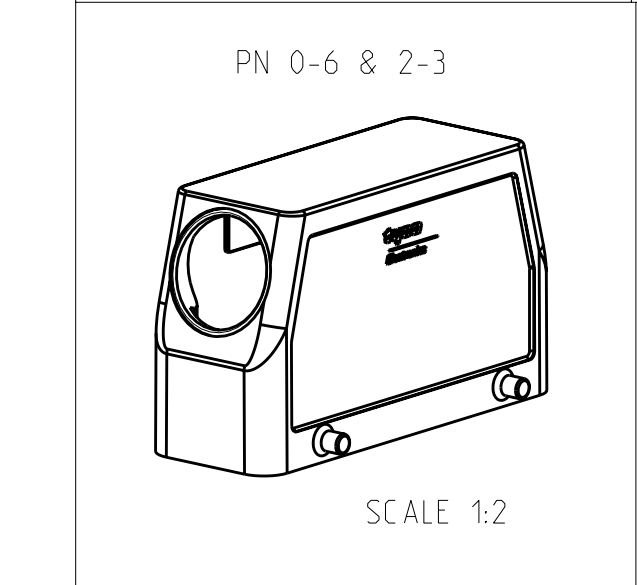
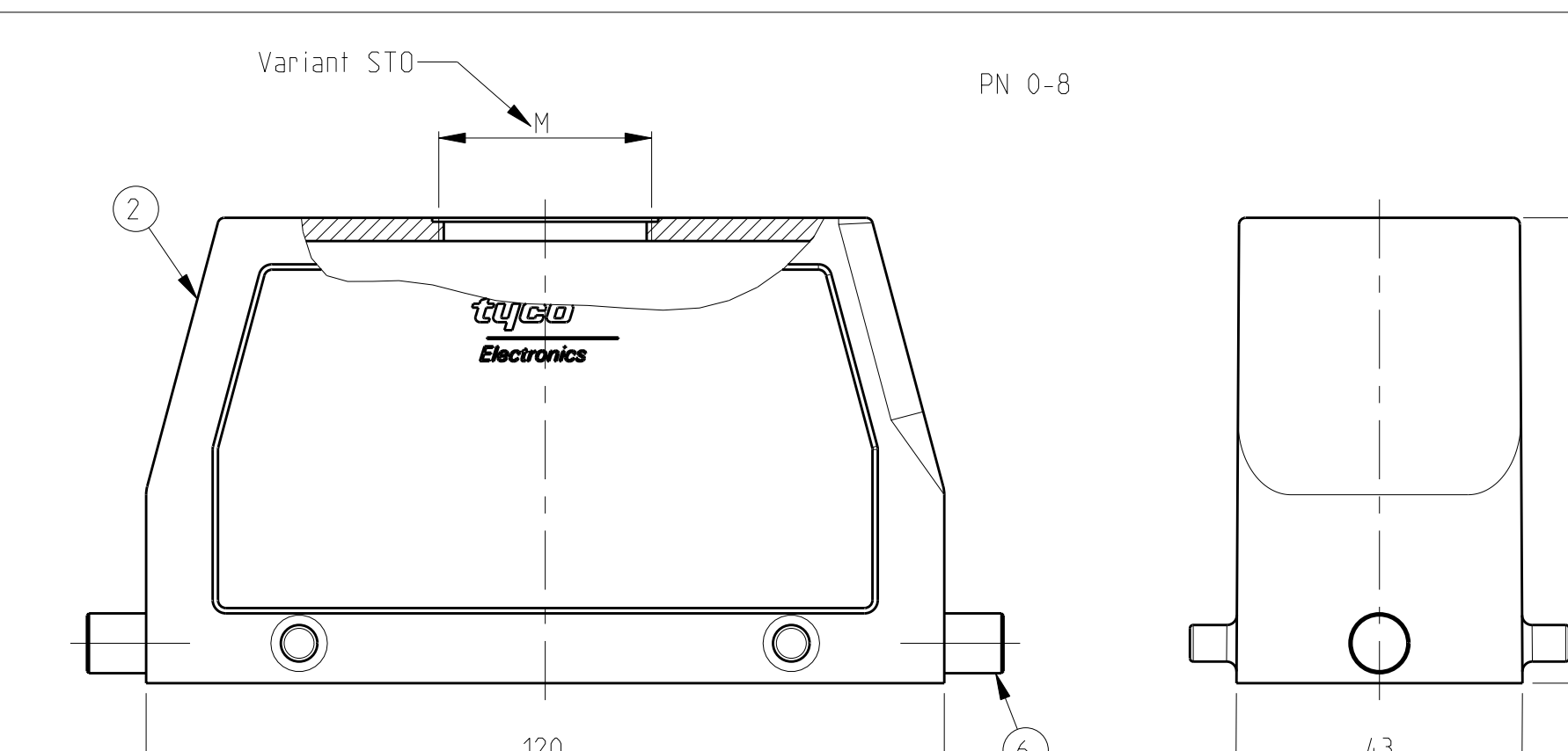
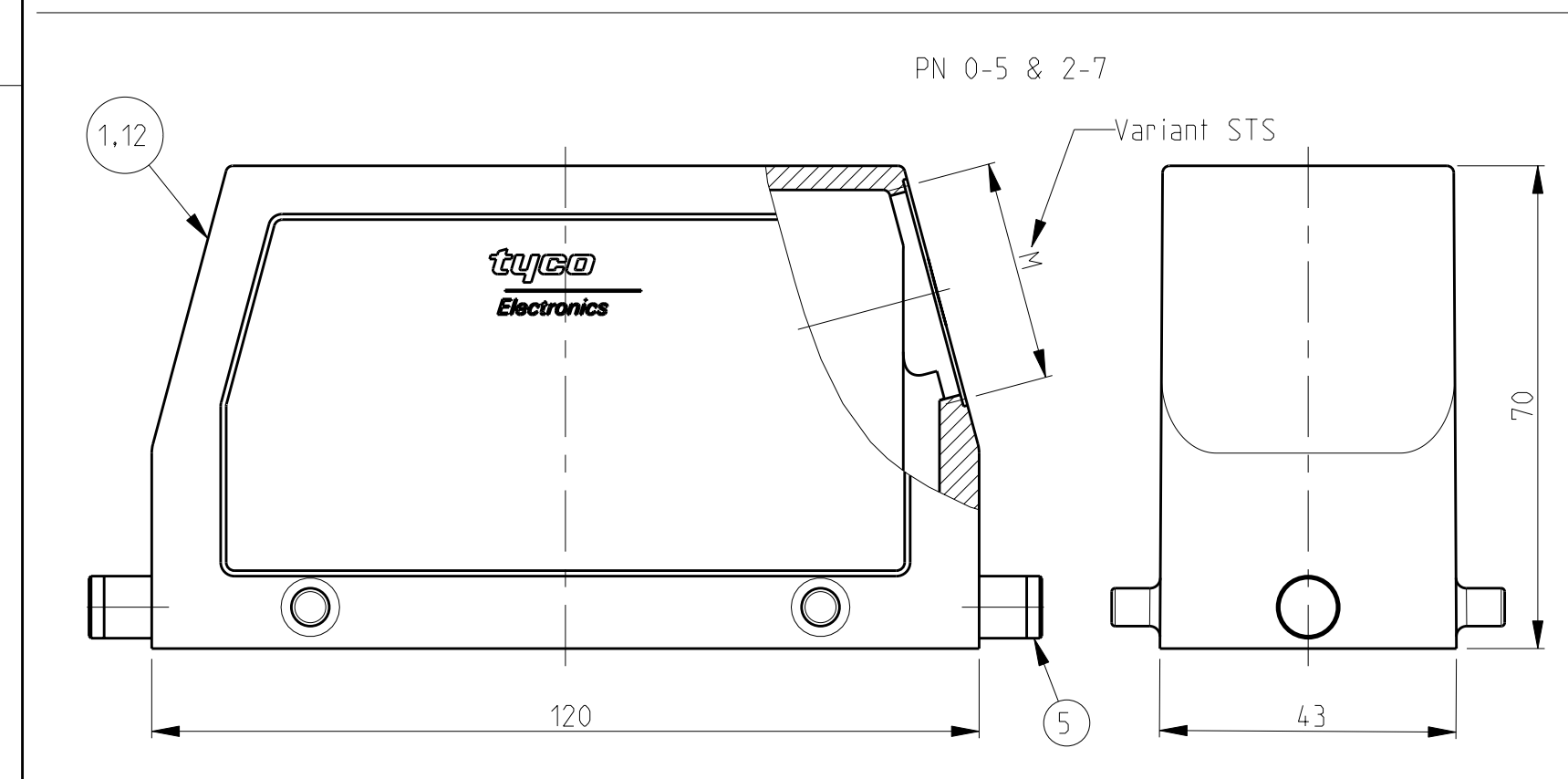
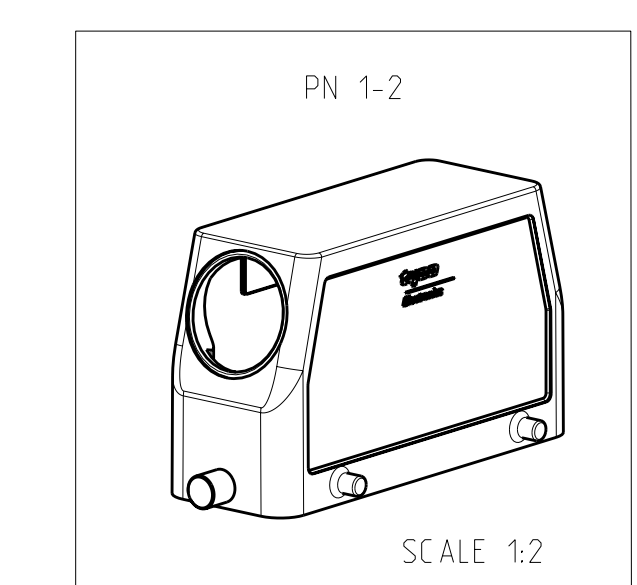
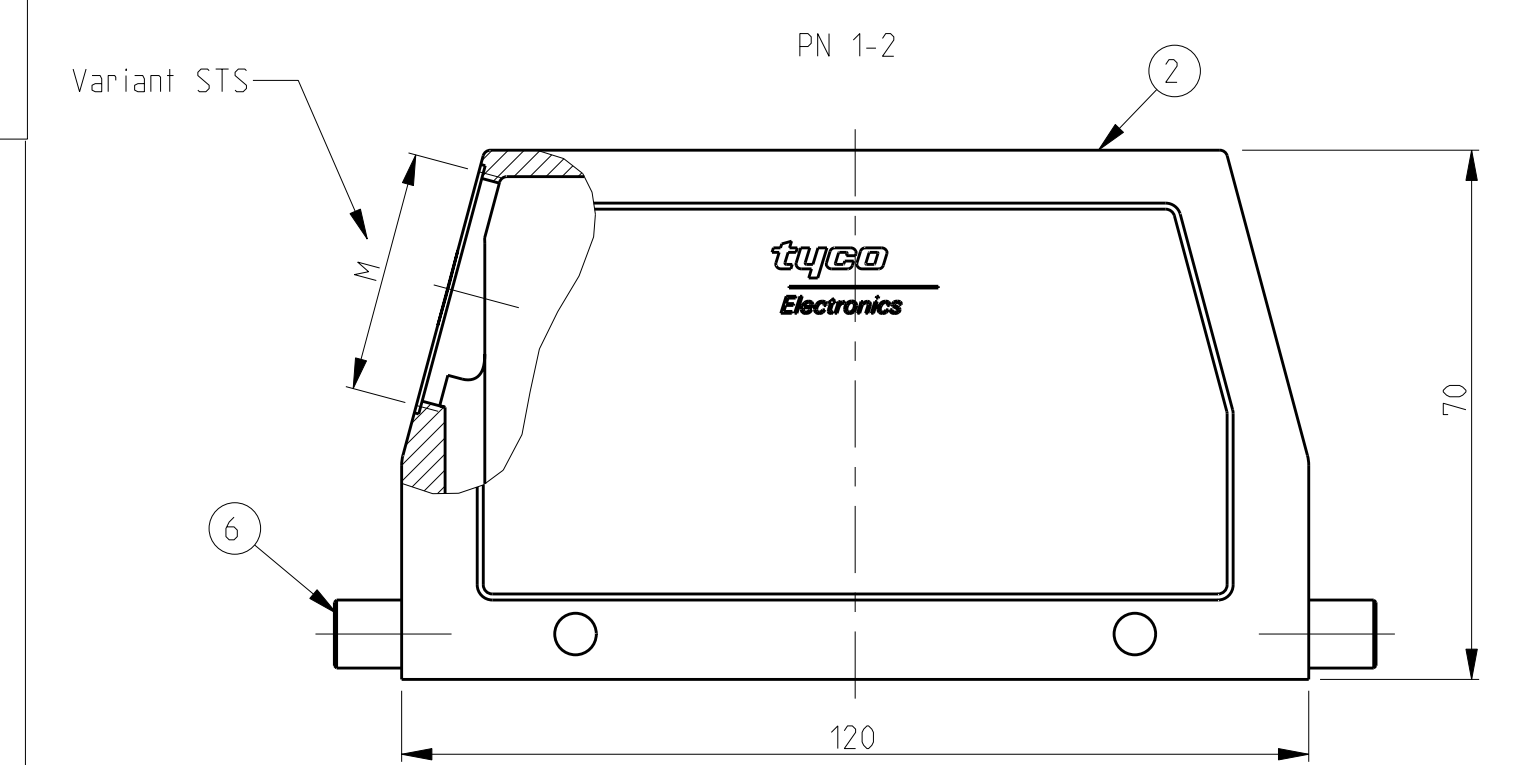
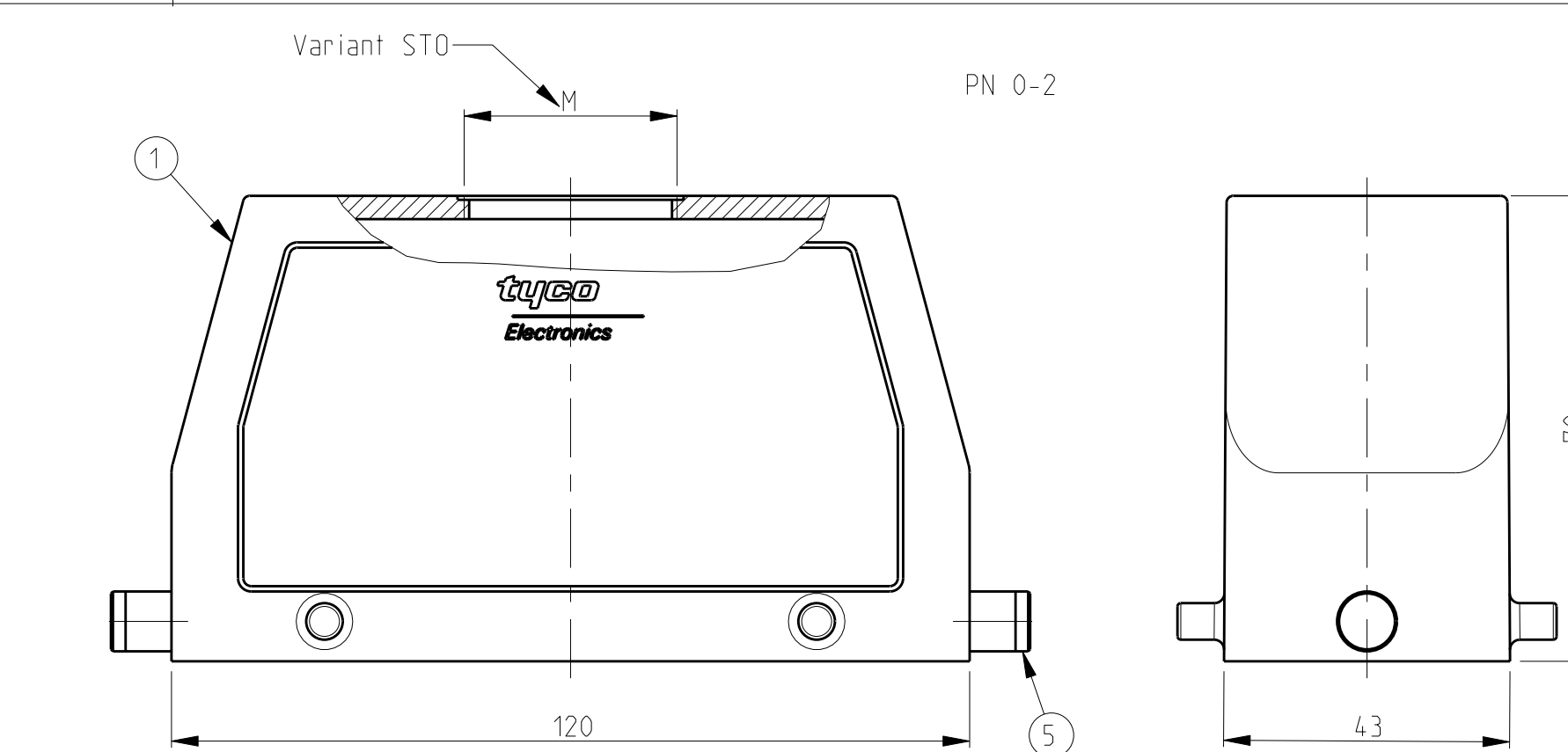
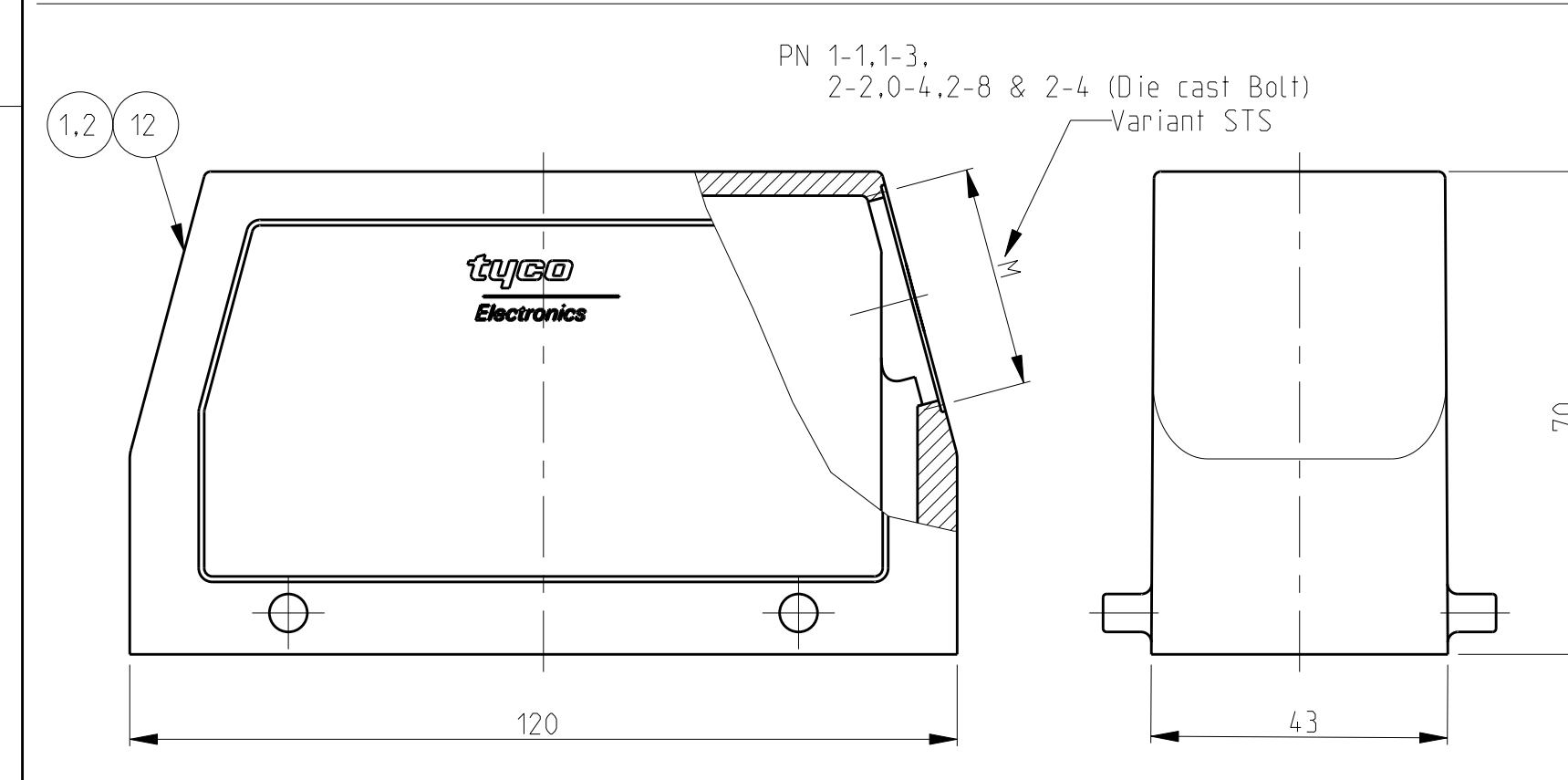


LOC		DIST		REVISIONS			
AI		P	LTB	DESCRIPTION	DATE	DWN	APVD
AI				REVISED PER ECR-17-014013	14FEB2018	SRG	MKO

NOTES:

- Material:Housing:Aluminium Diecasting Alloy
- Surface-Powder Vannish Grey  
-Aluminium Oxide +  
Vannish Black  
-Chromit Passivation +  
Vannish Black
- Vannish on the inside not necessary
- Special Packaging
- Packaging  
Quantity 5 Pieces in a box



QTY	DESCRIPTION	MATERIAL	SURFACE	COLOR	ITEM NO	NOTES
12	HB-EMV Hood	Aluminium	Aluminium Chromated	Black	12	
11	HB Hood	Aluminium		Grey	11	2xM32
10	ZB Central clip	Stainless Steel	Blank		10	
9	ZB Central clip	Steel	Zinc Plated	Blue	9	
8	YS Locking clip	Stainless Steel	Blank		8	
7	YS Locking clip	Steel	Zinc Plated	Blue	7	
6	LB Clip bolt	Stainless Steel	Blank		6	
5	LB Clip bolt	Steel	Zinc Plated	Blue	5	
4	VS Locking clip bolt	Stainless Steel	Blank		4	
3	HB-EMV Hood	Aluminium		Grey	3	
2	HB-VS Hood	Aluminium	Aluminium Oxide	Black	2	
1	HB Hood	Aluminium		Grey	1	

DATE: 01.08.2000  
DWN: Schneider  
CHK: Schwegler  
APVD: Schwegler

PRODUCT SPEC: 108-74001  
108-74003  
APPLICATION SPEC: 114-74001  
114-74004

SCALE: 1:1 SHEET: 1 OF 1 REV: A12

单击下面可查看定价，库存，交付和生命周期等信息

[>>TE Connectivity\(泰科\)](#)