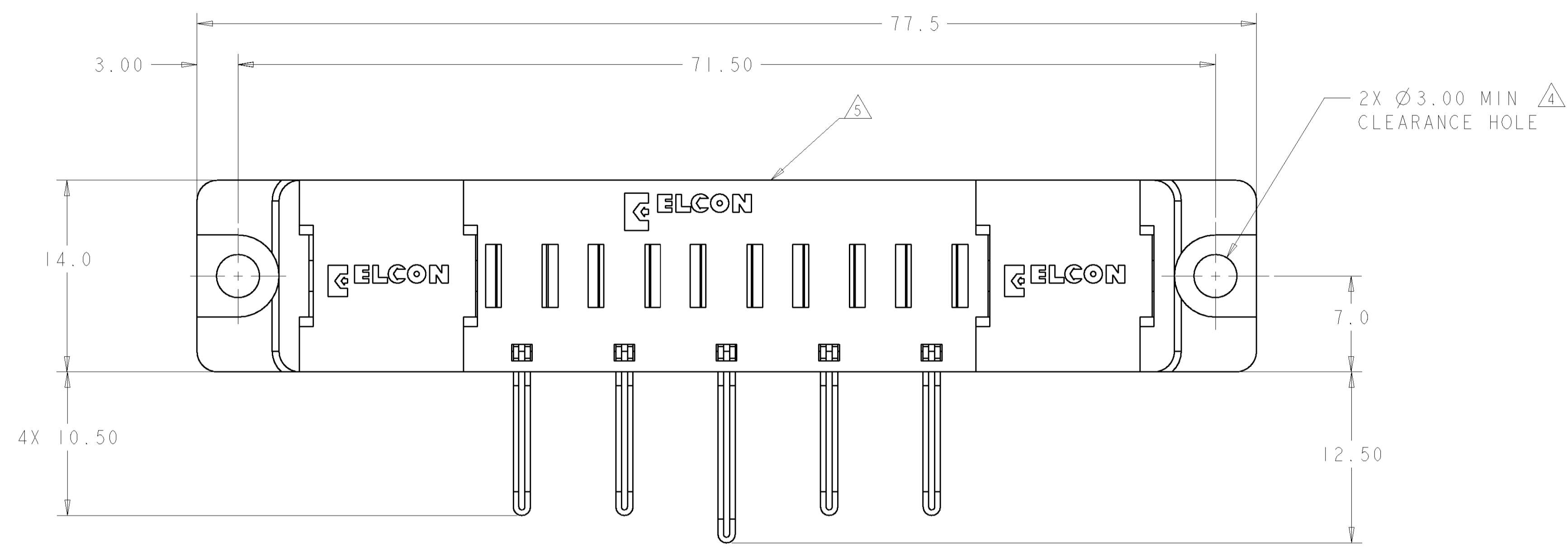


LOC	DIST	REVISIONS					
GP	00	P	LTR	DESCRIPTION	DATE	DWN	APVD
		A		NEW RELEASE	15AUG2007	RG	PD



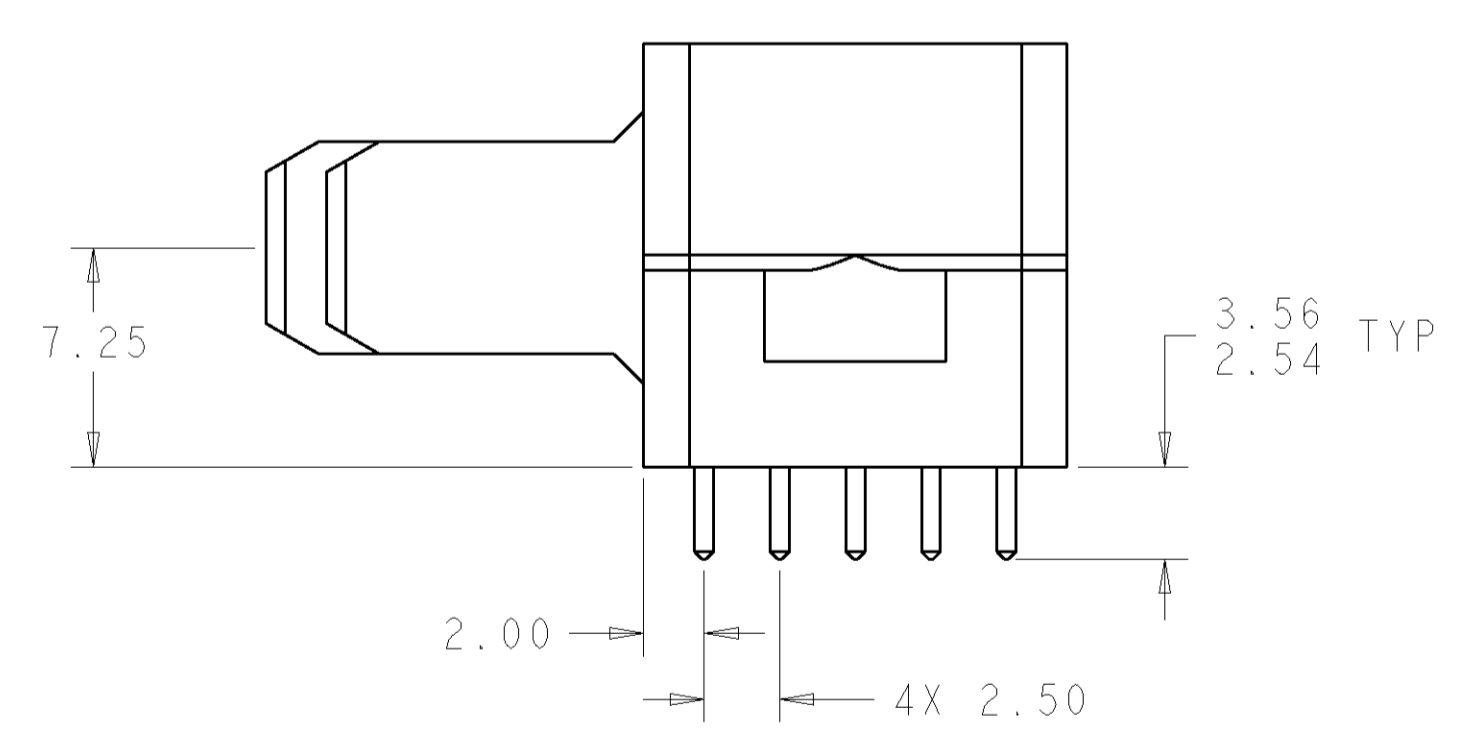
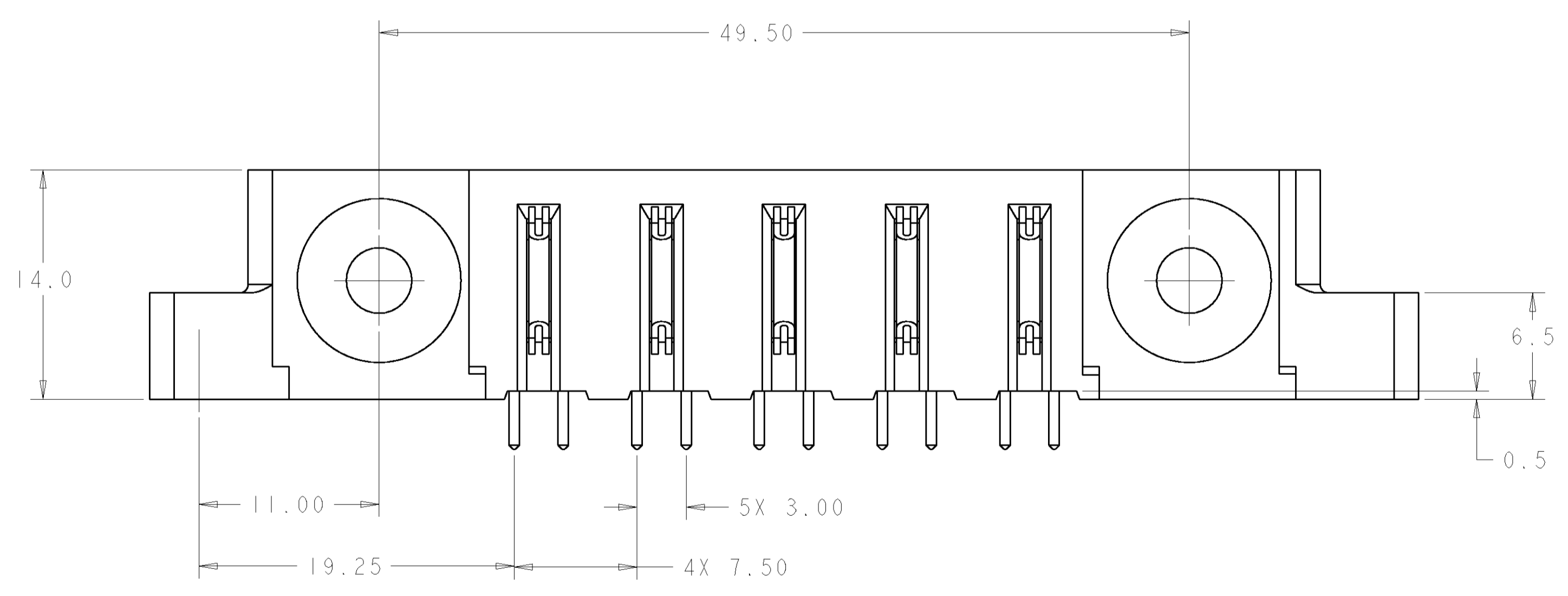
- PART NUMBER CHANGES AND OR DESIGN CHANGES AFFECTING ITEM INTERCHANGEABILITY REQUIRE PRIOR TYCO ELECTRONICS APPROVAL AND AUTHORIZATION BY REVISION TO THIS DRAWING.
- MATERIAL:
 INSULATORS - THERMOPLASTIC, GLASS REINFORCED,
 COLOR: BLACK, UL94V-0 FLAMMABILITY RATED.
 POWER CONTACTS - PHOSPHOR BRONZE ALLOY,
 COPPER ALLOY
 CROWN BAND-BERYLLIUM COPPER ALLOY
- FINISH:
 CONTACTS - GOLD PLATE .76µM MIN. THK., OVER NICKEL
 1.27µM MIN. THK
 SOLDER TAILS, TIN 3.05µM MIN. THK.
 OVER NICKEL 1.27µM MIN THK.

- △ MOUNTING FLANGES ACCEPT M3 OR #4-40 SCREWS, (USER SUPPLIED)
- △ ITEMS PROVIDED TO THIS SPECIFICATION TO BE PERMANENTLY IDENTIFIED PER THE FOLLOWING IDENTIFIER LABEL

YEAR WEEK

TYCO ELECTRONICS P/N DATE CODE (e.g. 0T06)

XXXXXXX-X XXXX

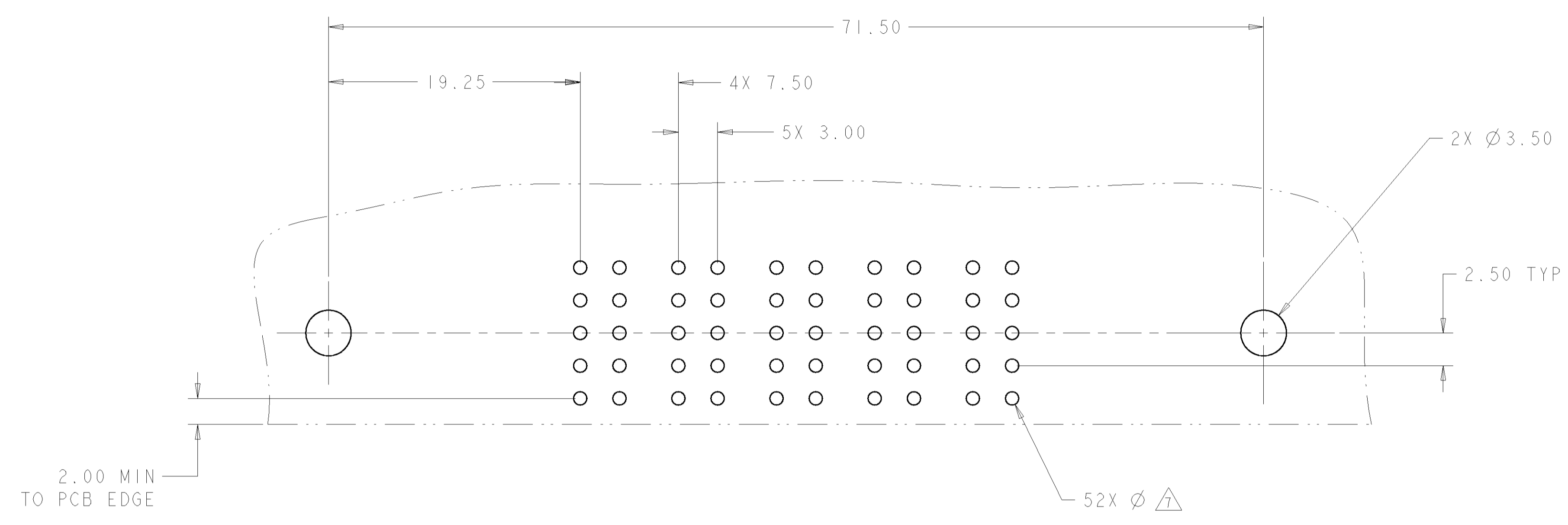


ELCON FLATPAQ

AS SHOWN	6646953-1
DESCRIPTION	PART NUMBER

DIMENSIONS: mm 0 PLC ±.5 1 PLC ±.5 2 PLC ±.5 3 PLC ±.25 4 PLC ±. ANGLES ±. FINISH ±.		TOLERANCES UNLESS OTHERWISE SPECIFIED: 0 PLC ±. 1 PLC ±.5 2 PLC ±.5 3 PLC ±.25 4 PLC ±. ANGLES ±. FINISH ±.		DWN R. GRZYBOWSKI 15AUG2007 ENR P. DAMATO 15AUG2007 APVD S. FLICKINGER 15AUG2007		Tyco Electronics Harrisburg, PA 17105-3608	
MATERIAL: - FINISH: -				NAME: PIN CONNECTOR, RIGHT ANGLE SOLDER TAILS FLATPAQ		SIZE: A 00779 C=6646953	
CUSTOMER DRAWING				WEIGHT: - SCALE: 4:1		SHEET 1 OF 3 REV A	

LOC		DIST		REVISIONS			
P	LTR	DESCRIPTION	DATE	DNW	APVD		
-	-	SEE SHEET 1	-	-	-		



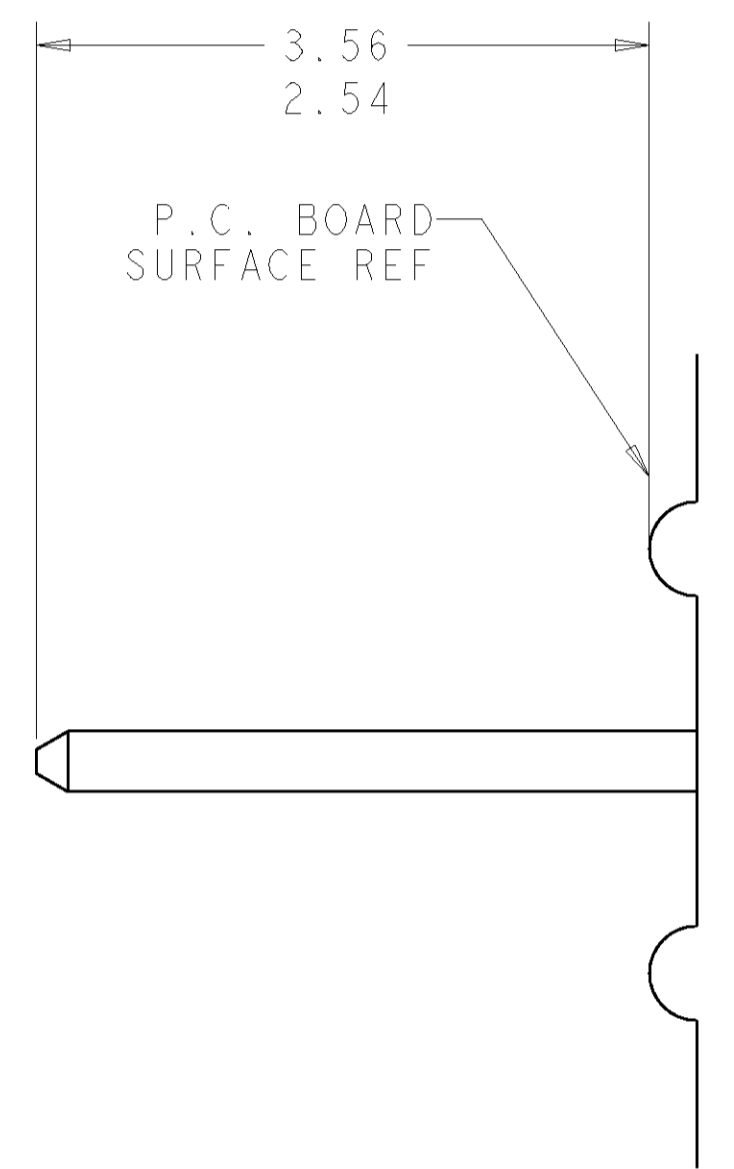
PRINTED CIRCUIT LAYOUT
 COMPONENT SIDE

CONNECTOR	EQUIVALENT CATALOG MODULE #	MODULE QTY	CONTACT QTY	SIZE NO.	MATING PIN	MAX. CURRENT (PER CONTACT)	CONTACT SPACING	VOLTAGE RATING
PIN	FP105	4	4	8	1.25 X 7.00 [.049 X .276]	35 amps	7.50 [.2953]	250 VOLTS
	FP106	1	1	8	1.25 X 7.00 [.049 X .276]	35 amps	7.50 [.2953]	250 VOLTS
	FP506	1	-	-	RIGHT ANGLE GUIDE SOCKET			
	FP500	1	-	-	LEFT MOUNTING FLANGE			
	FP501	1	-	-	RIGHT MOUNTING FLANGE			

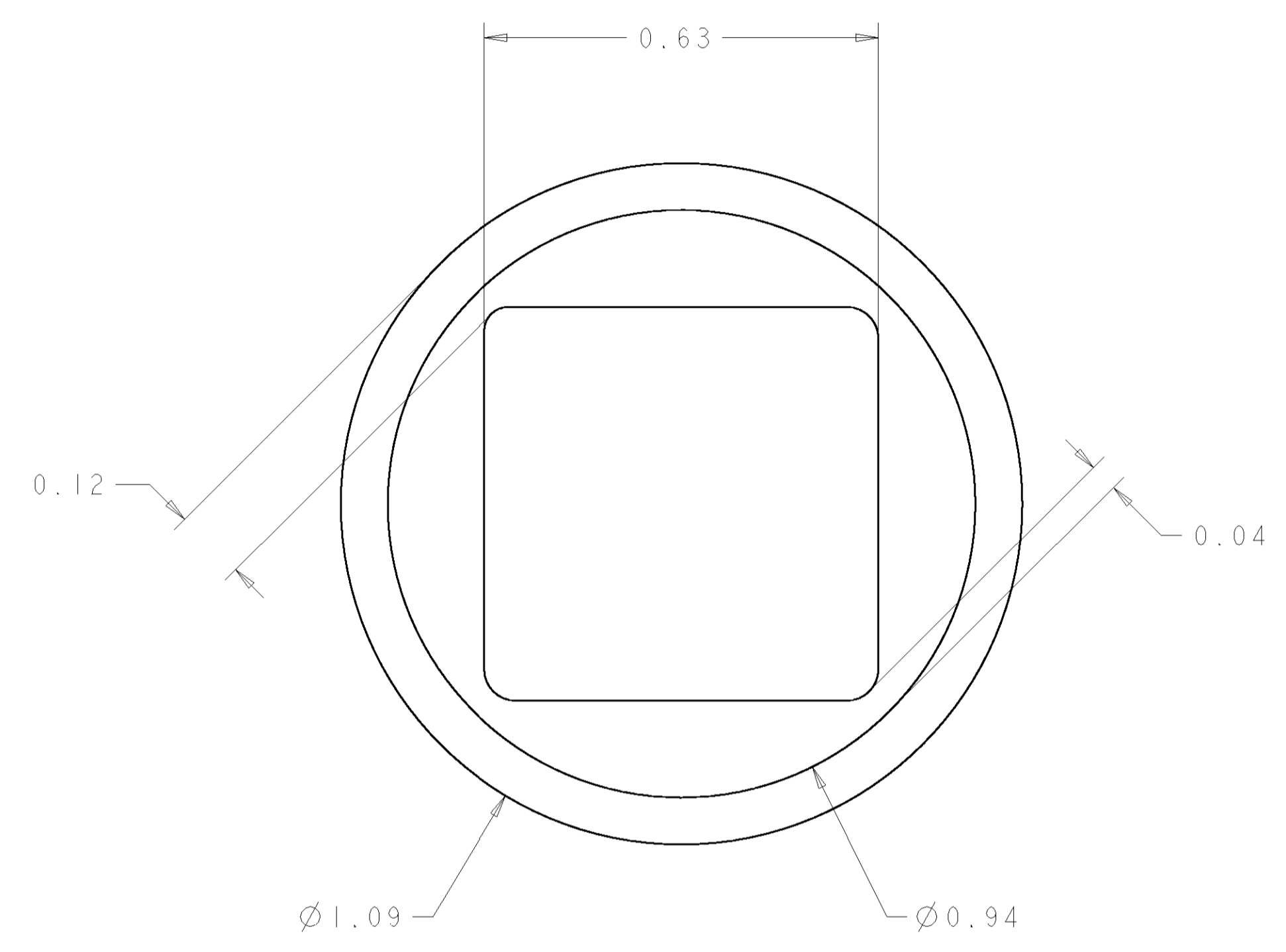
ELCON FLATPAQ

<small>THIS DRAWING IS UNPUBLISHED. RELEASED FOR PUBLICATION BY TYCO ELECTRONICS CORPORATION. ALL RIGHTS RESERVED.</small>		DWN: B. GRZYBOWSKI 15AUG2007 ENR: P. DAMATO 15AUG2007 APVD: S. FLICKINGER 15AUG2007	Tyco Electronics Harrisburg, PA 17105-3608
DIMENSIONS: mm 	TOLERANCES UNLESS OTHERWISE SPECIFIED: 0 PLC ±.5 1 PLC ±.5 2 PLC ±.25 3 PLC ±.25 4 PLC ±.25 ANGLES ±.1	NAME: PIN CONNECTOR, RIGHT ANGLE SOLDER TAILS FLATPAQ PRODUCT SPEC: - APPLICATION SPEC: - WEIGHT: - FINISH: -	SIZE: A 00779 C=6646953 SCALE: 4:1 SHEET 2 OF 3 REV A
MATERIAL: -		CUSTOMER DRAWING	

LOC	DIST	REVISIONS					
GP	00	P.	LTR	DESCRIPTION	DATE	DWN	APVD
-	-	-	-	SEE SHEET 1	-	-	-



6. SOLDER PIN DETAIL
SCALE 10:1



△ SOLDER TERMINATION AREA
 SCALE 40:1
 RECOMMENDED PRINTED CIRCUIT SOLDER HOLE
 FINISHED HOLE: Ø1.02 [.040] ±.08 [.003]
 DRILLED HOLE: Ø1.15 [.0453] ±.013 [.0005]
 COPPER PLATE: .025 [.0010] MIN.
 TIN PLATE: .008 [.0003] MIN. (PER SURFACE)

ELCON FLATPAQ

<small>THIS DRAWING IS UNPUBLISHED. RELEASED FOR PUBLICATION. ALL RIGHTS RESERVED. THIS DRAWING IS THE PROPERTY OF TYCO ELECTRONICS CORPORATION. IT IS TO BE USED ONLY FOR THE SPECIFIC PROJECT AND ORGANIZATION FOR WHICH IT WAS PREPARED. IT IS NOT TO BE REPRODUCED OR COPIED IN ANY MANNER WITHOUT THE WRITTEN PERMISSION OF TYCO ELECTRONICS CORPORATION.</small>		DWN R. GRZYBOWSKI 15AUG2007 CHK P. DAMATO 15AUG2007 APVD S. FLICKINGER 15AUG2007	Tyco Electronics Harrisburg, PA 17105-3608
DIMENSIONS: mm 	TOLERANCES UNLESS OTHERWISE SPECIFIED: 0 PLC ±.5 1 PLC ±.5 2 PLC ±.25 3 PLC ±.25 4 PLC ±.25 ANGLES ±.1 FINISH	NAME PIN CONNECTOR, RIGHT ANGLE SOLDER TAILS FLATPAQ	SIZE A 00779 C=6646953
MATERIAL	FINISH	WEIGHT	RESTRICTED TO
-	-	-	-
CUSTOMER DRAWING		SCALE 4:1	SHEET 3 OF 3 REV A

单击下面可查看定价，库存，交付和生命周期等信息

[>>TE Connectivity\(泰科\)](#)