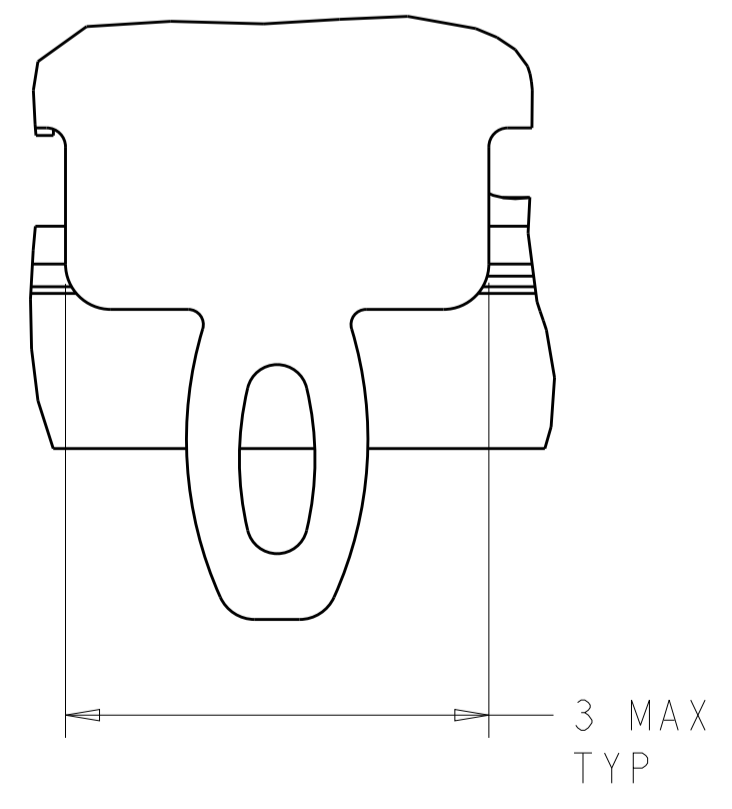
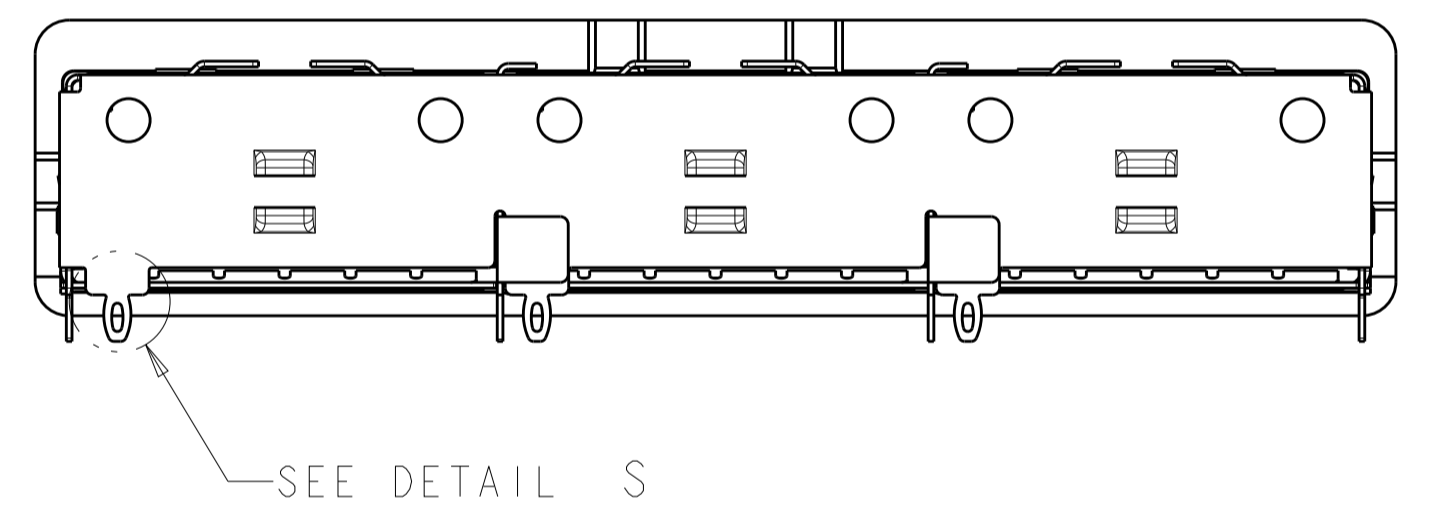
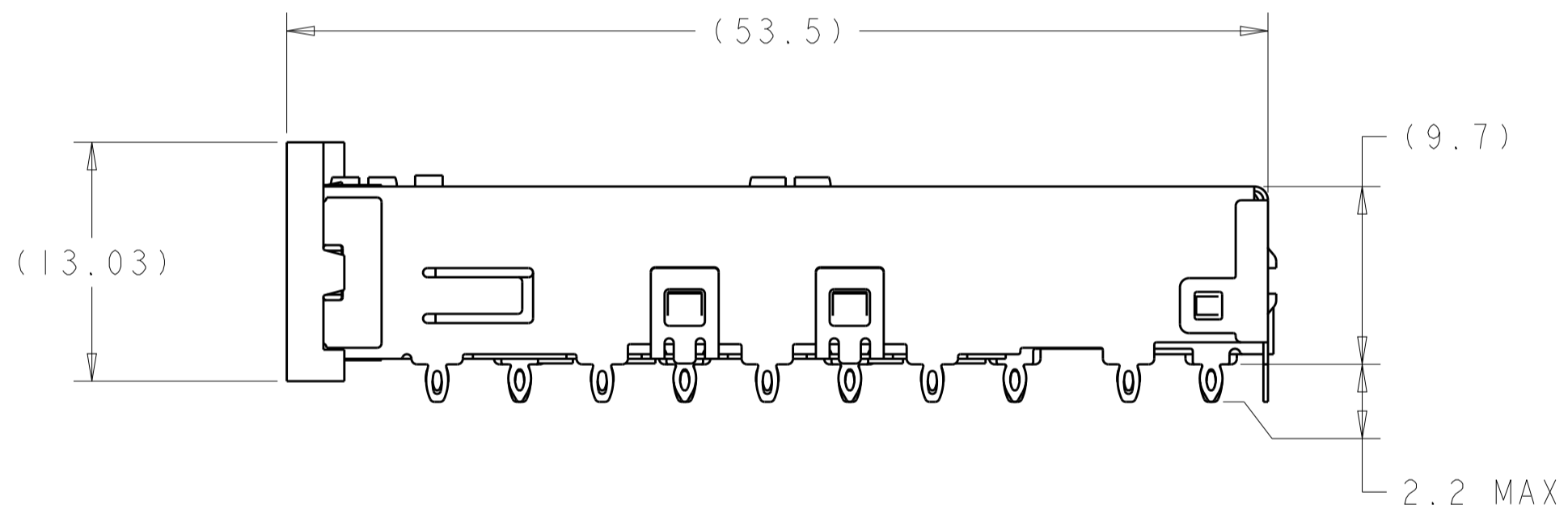
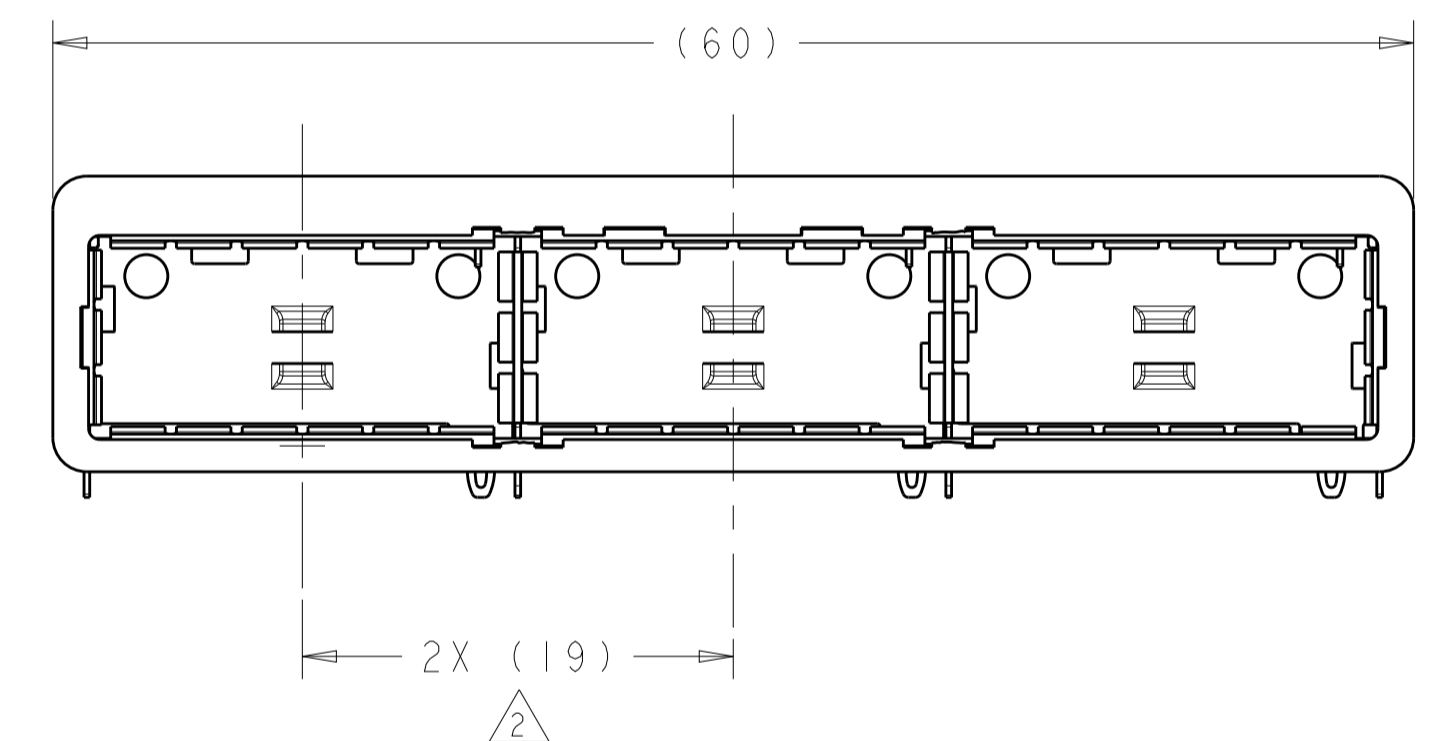
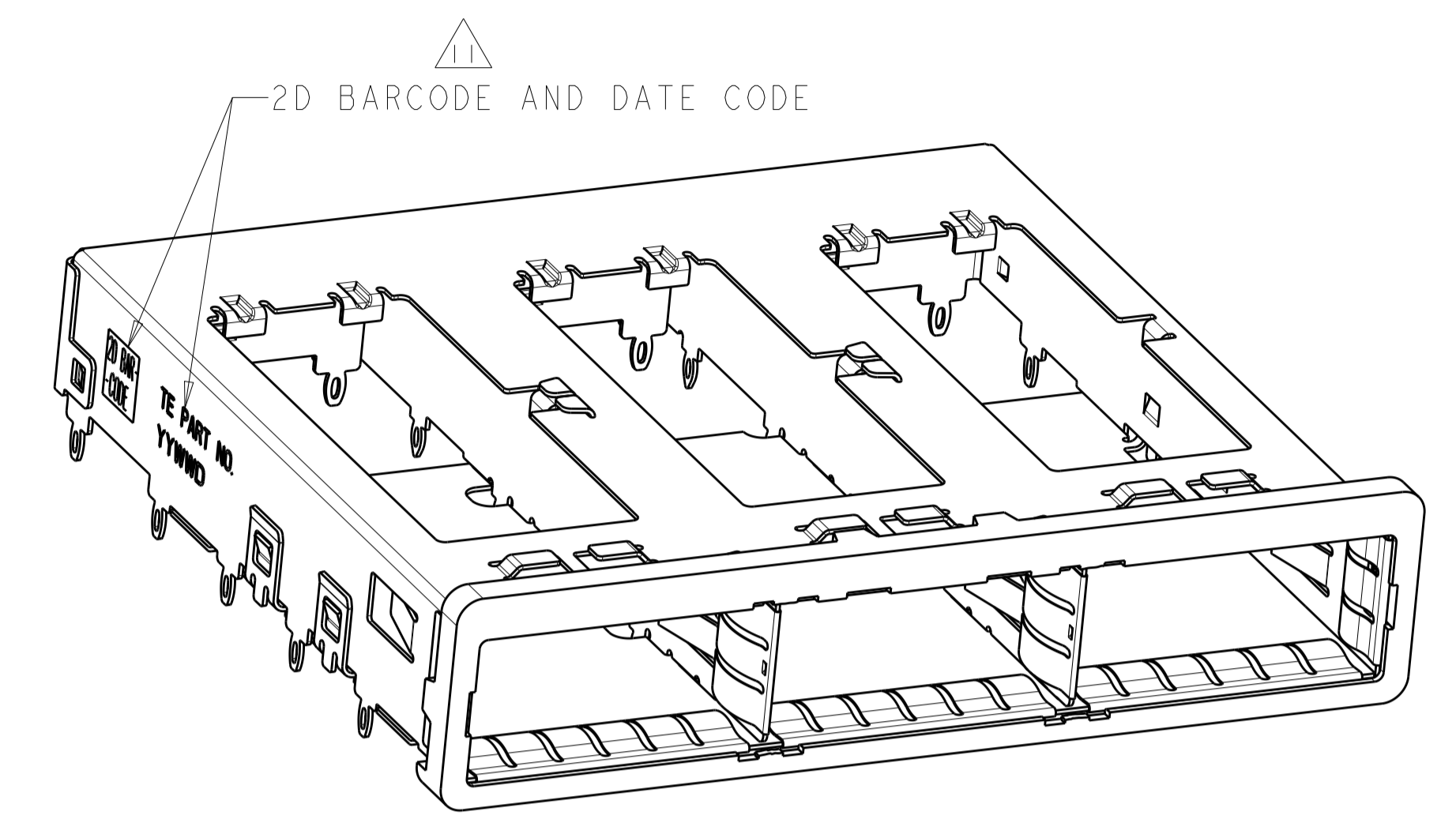
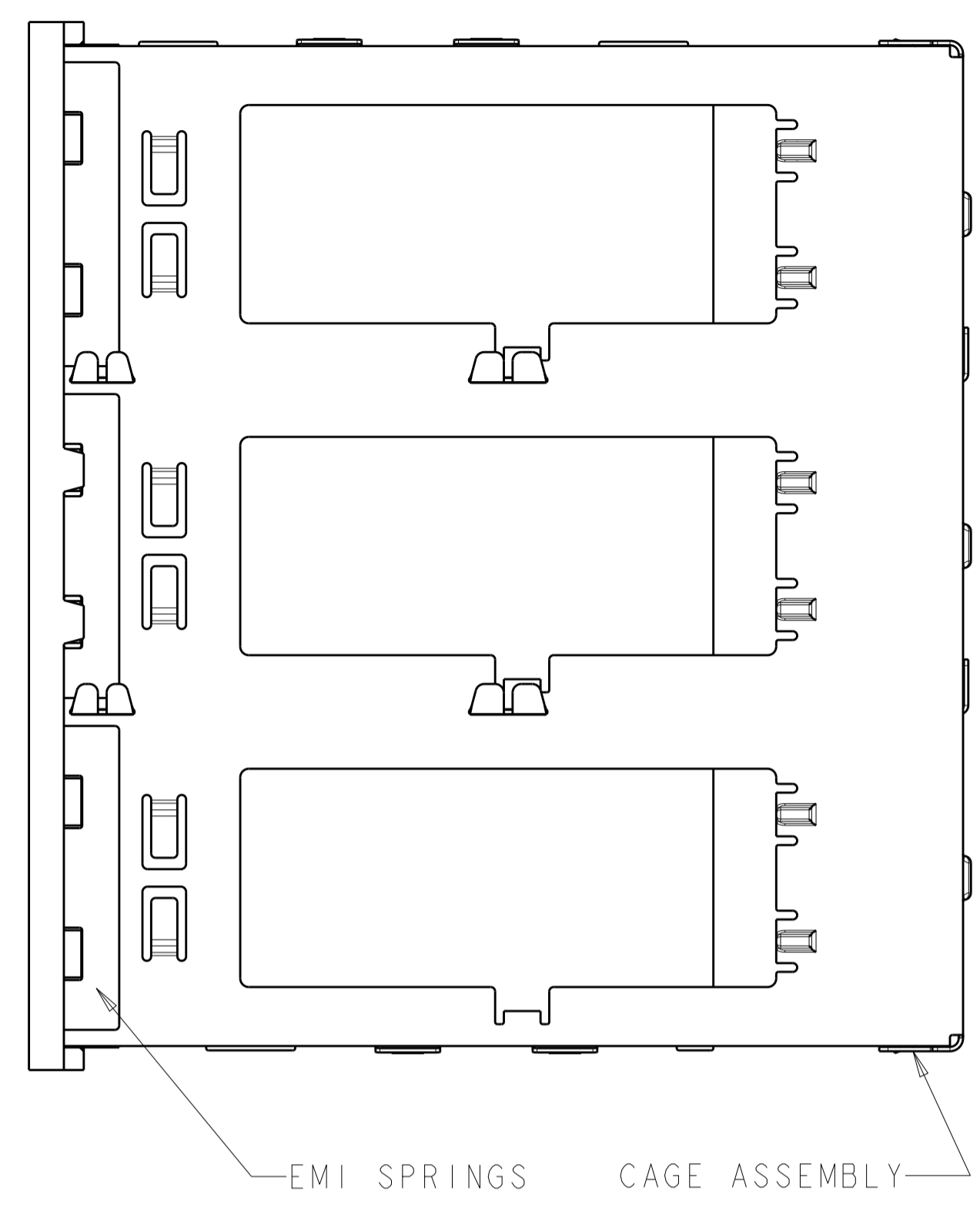
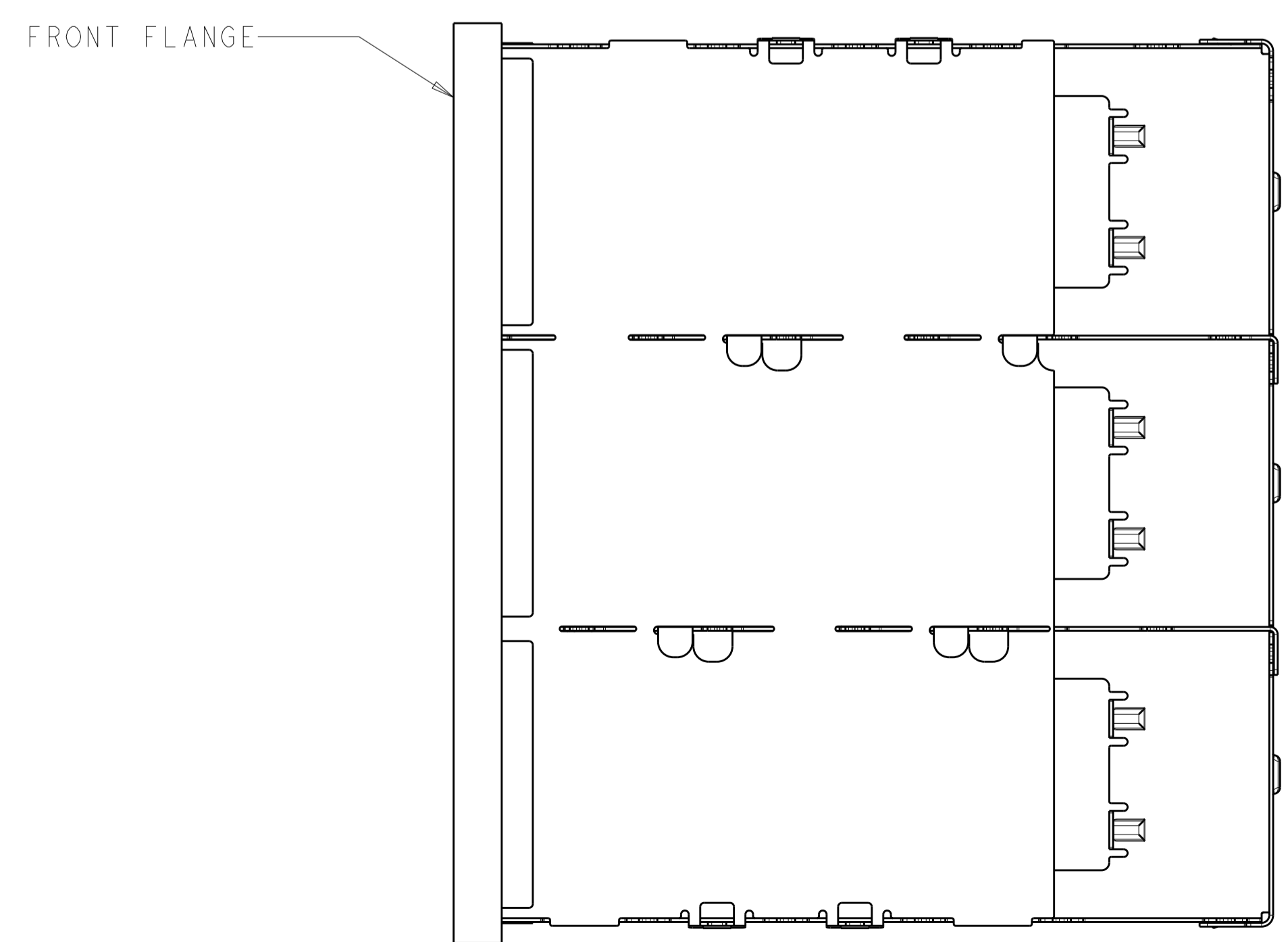


REVISIONS				
P. LTH	DESCRIPTION	DATE	DWN	APVD
D	REVISED PER ECO-15-000148	9APR2015	RG	MC

- 1 SURFACE TRACES PERMITTED WITHIN THIS AREA EXCEPT WHERE CAGE STANDOFFS, SHOWN IN DETAIL S, CONTACT PC BOARD.
- 2 PITCH BETWEEN PORTS OF ONE 1X3 CAGE ASSEMBLY.
- 3 SPACING BETWEEN CAGES ON THE SAME PC BOARD, TO BE SPECIFIED BY CUSTOMER, MUST COMPLY WITH MINIMUM DIMENSIONS SHOWN.
- 4 REFERENCE APPLICATION SPEC 114-13218 FOR RECOMMENDED DRILL HOLE DIAMETER AND PLATING THICKNESS.
- 5 UNPLATED THRU HOLE.
- 6 DATUMS AND BASIC DIMENSIONS ESTABLISHED BY CUSTOMER.
- 7 DATUM -A- IS TOP SURFACE OF PC BOARD.
- 8 DIMENSION C IS THE NOMINAL THICKNESS OF CUSTOMER SUPPLIED PC BOARD.  
 MINIMUM PC BOARD THICKNESS:  
 SINGLE SIDED = 1.45mm  
 DOUBLE SIDED = 2.2mm PER QSFP
- 9. MATES WITH QSFP MSA COMPATIBLE TRANSCEIVER.
- 10 BASELINE FOR THESE DIMENSIONS IS THE CENTER OF COMPLIANT PIN HOLE.
- 11 2D BARCODE AND DATE CODE (YYWW) MARKED APPROXIMATELY AS SHOWN.
- 12 REFERENCE APP SPEC 114-13218 FOR GASKET THICKNESS CALCULATION.
- 13 MATERIAL:  
 CAGE ASSEMBLY: NICKEL SILVER, 0.25 THICK  
 EMI SPRINGS: COPPER ALLOY  
 FRONT FLANGE: ZINC ALLOY
- 14 FINISH:  
 EMI SPRINGS: 2µm MINIMUM TIN  
 FRONT FLANGE: 3µm MINIMUM TIN OVER 1.27µm MINIMUM NICKEL OVER 5.08µm MINIMUM COPPER.



DETAIL S  
SCALE 20:1

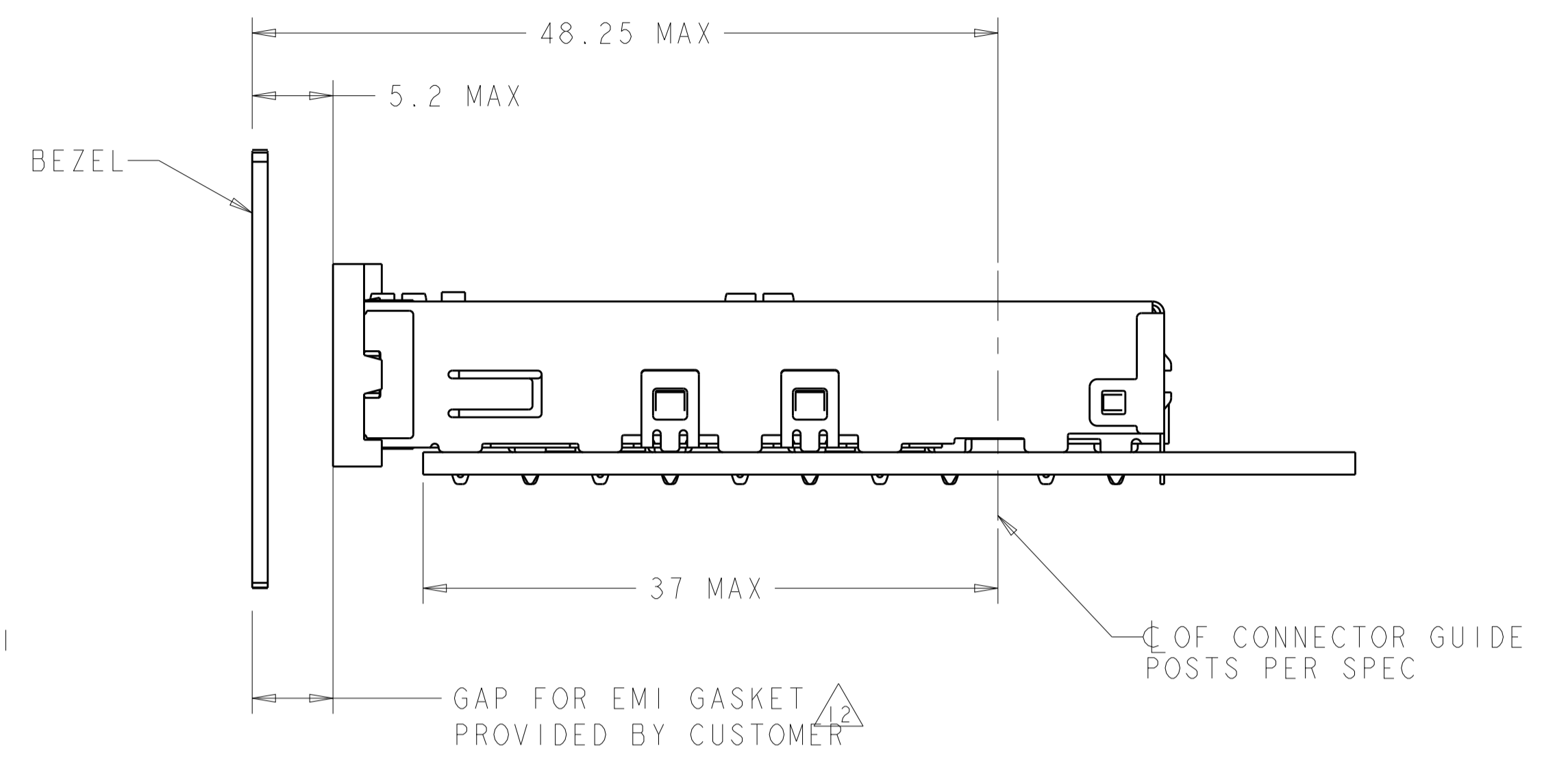
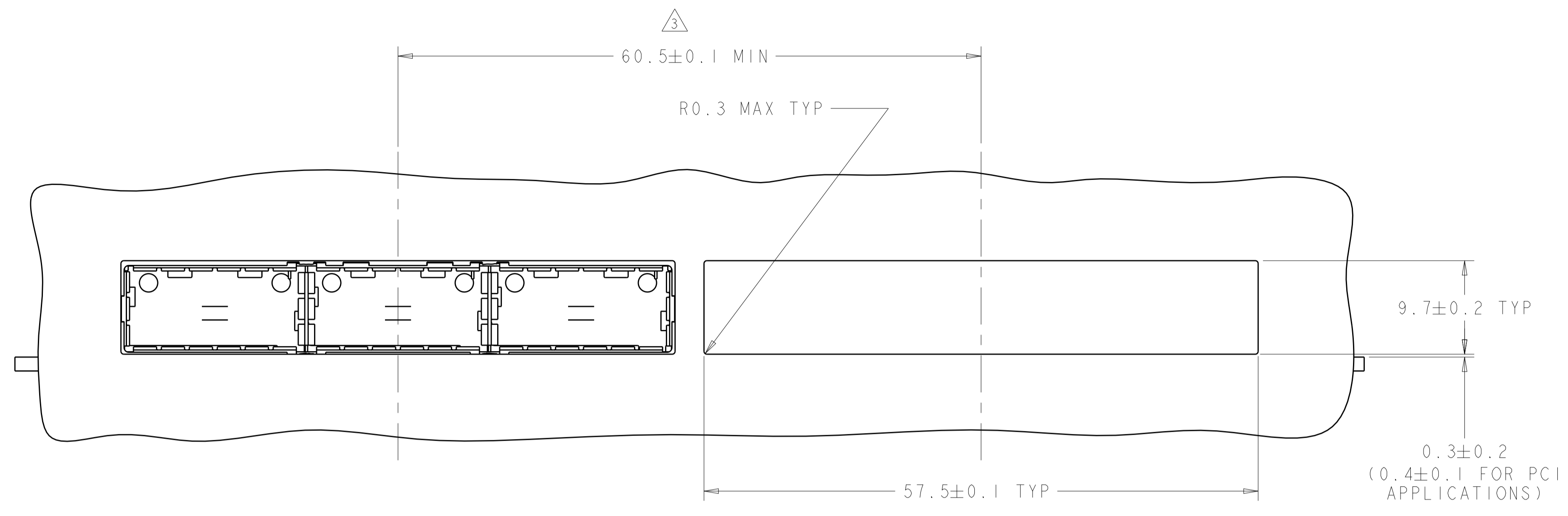


THIS PRODUCT HAS NOT COMPLETED VALIDATION/QUALIFICATION TESTING

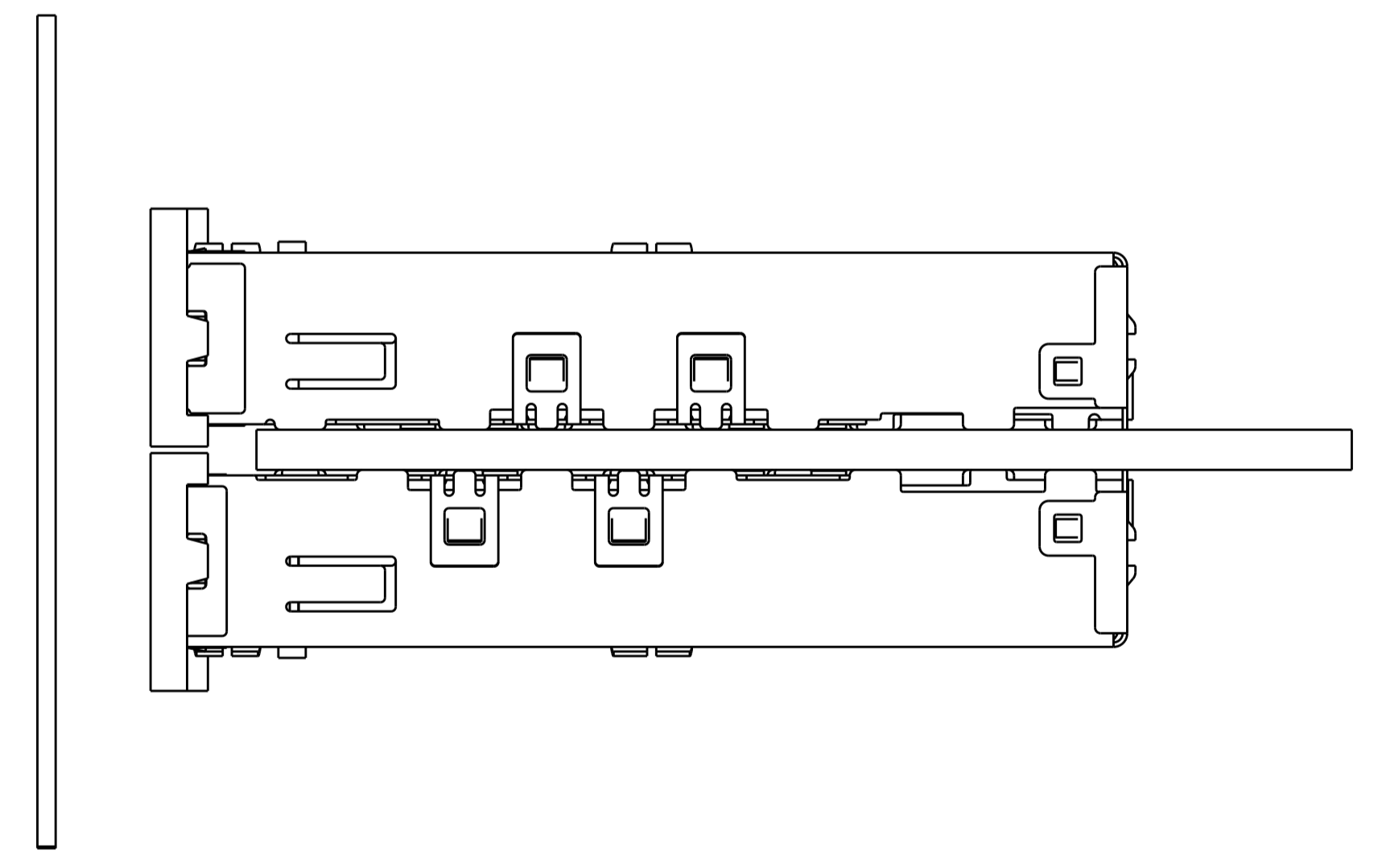
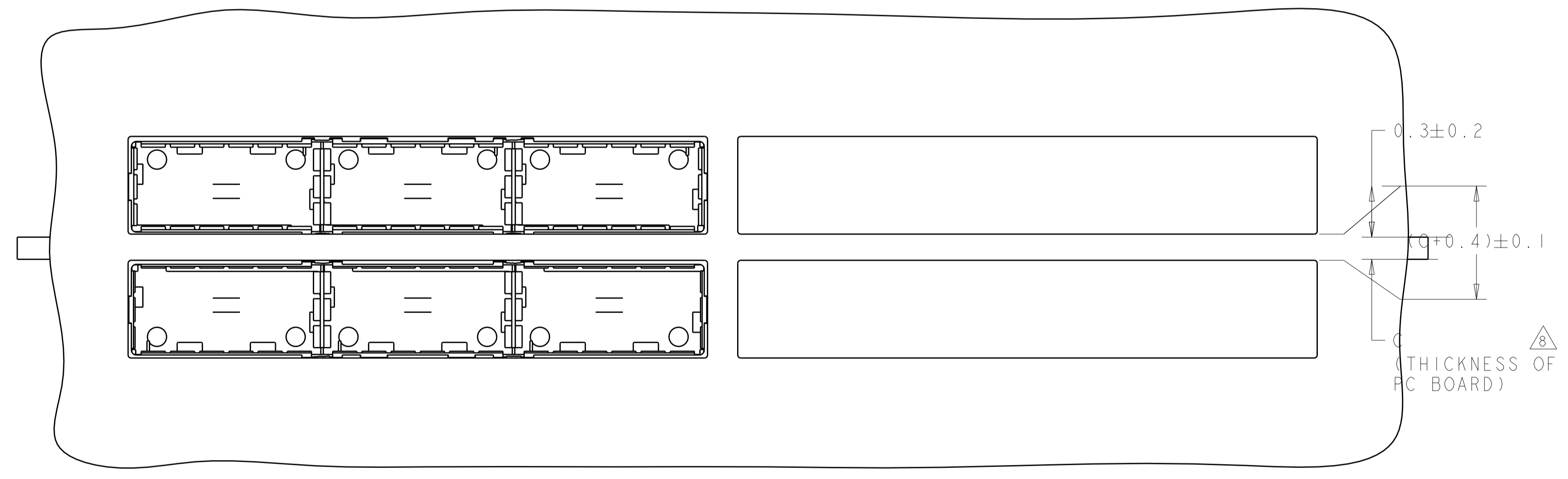
2007474-1  
PART NUMBER

THIS DRAWING IS A CONTROLLED DOCUMENT.		DWN C. VALENTINE 07NOV2007	TE Connectivity
DIMENSIONS:		CHK E. BRIGHT 07NOV2007	
mm	TOLERANCES UNLESS OTHERWISE SPECIFIED:	APVD E. BRIGHT 07NOV2007	NAME 1X3 CAGE ASSEMBLY, BEHIND BEZEL, QSFP
0 PLC ±0.1	1 PLC ±0.1	PRODUCT SPEC	108-2286
2 PLC ±0.13	3 PLC ±0.013	APPLICATION SPEC	114-13218
4 PLC ±0.0001	ANGLES ±	SIZE CAGE CODE DRAWING NO	A100779C=2007474
MATERIAL T83	FINISH 14	WEIGHT	RESTRICTED TO
CUSTOMER DRAWING		SCALE 3:1	SHEET 1 OF 4 REV D

REVISIONS					
P.	LTN	DESCRIPTION	DATE	DMN	APVD
-	-	SEE SHEET 1	-	-	-



ONE SIDED CONFIGURATION  
 SCALE 3:1

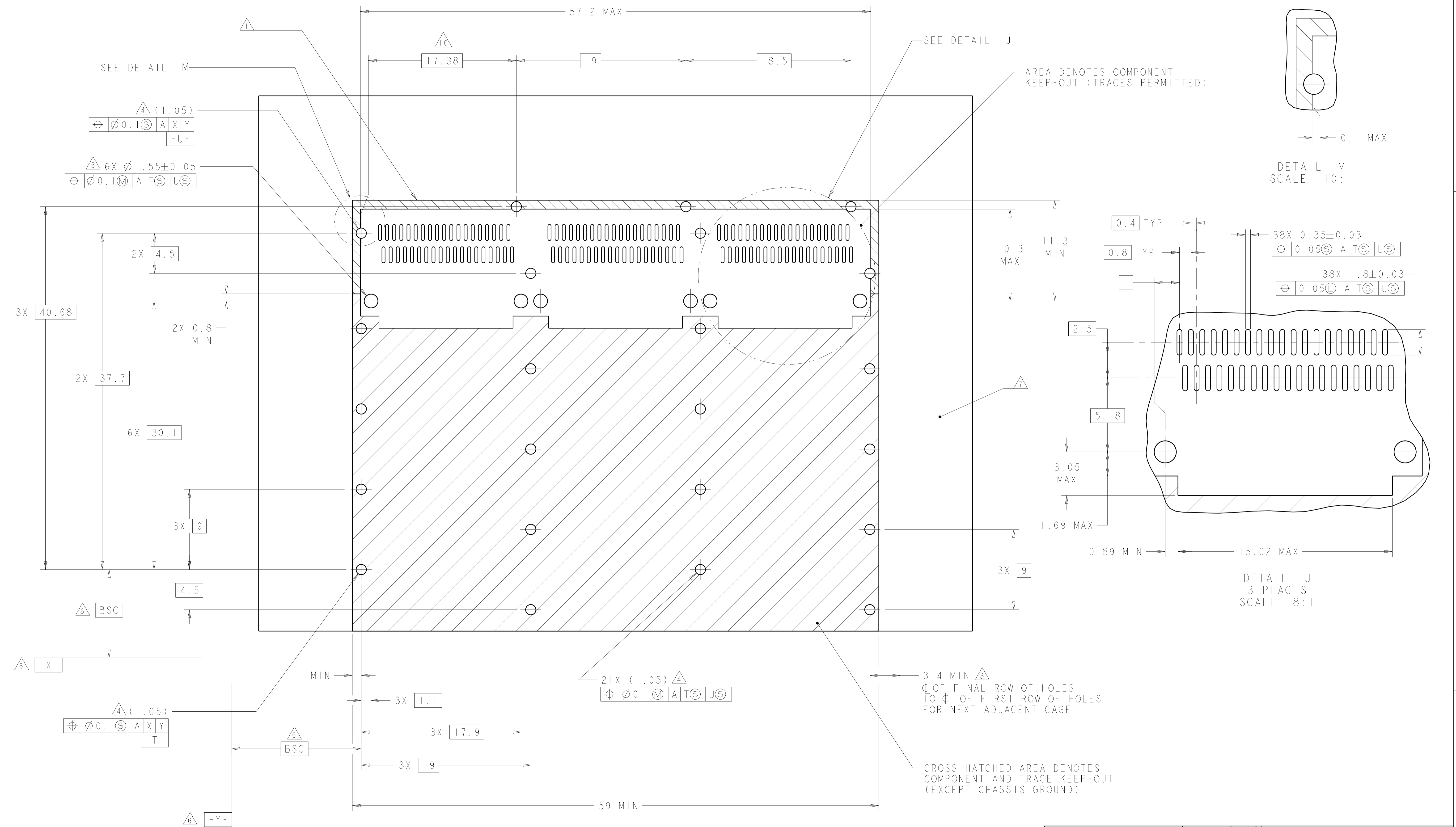


BELLY TO BELLY CONFIGURATION SIMILAR  
 TO ONE SIDED EXCEPT WHERE NOTED  
 SCALE 3:1

THIS PRODUCT HAS NOT COMPLETED VALIDATION/QUALIFICATION TESTING

THIS DRAWING IS A CONTROLLED DOCUMENT.		DMN C. VALENTINE 07NOV2007	TE Connectivity
DIMENSIONS:		CHK E. BRIGHT 07NOV2007	
mm	TOLERANCES UNLESS OTHERWISE SPECIFIED:	APVD E. BRIGHT 07NOV2007	NAME 1X3 CAGE ASSEMBLY, BEHIND BEZEL, QSFP
	0 PLC ±. 1 PLC ±0.1 2 PLC ±0.1 3 PLC ±0.013 4 PLC ±0.0001 ANGLES ±.	PRODUCT SPEC 108-2286	APPLICATION SPEC
MATERIAL TBD	FINISH	SIZE 114-13218	RESTRICTED TO
CUSTOMER DRAWING		WEIGHT	A100779C=2007474
SCALE 3:1		SHEET 2 OF 4	REV D

REVISIONS				
P.	LTN.	DESCRIPTION	DATE	APVD.
-	-	SEE SHEET 1	-	-

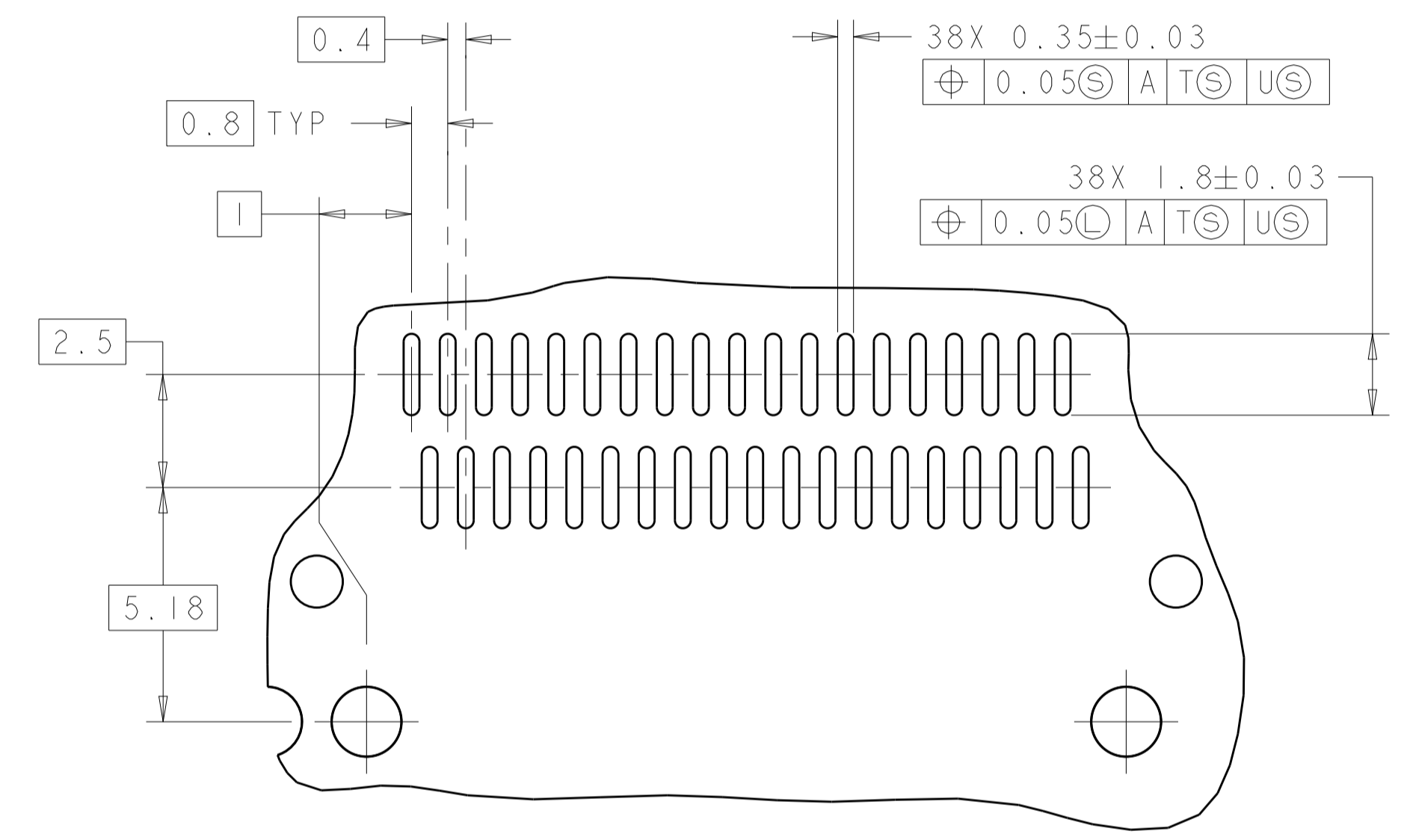
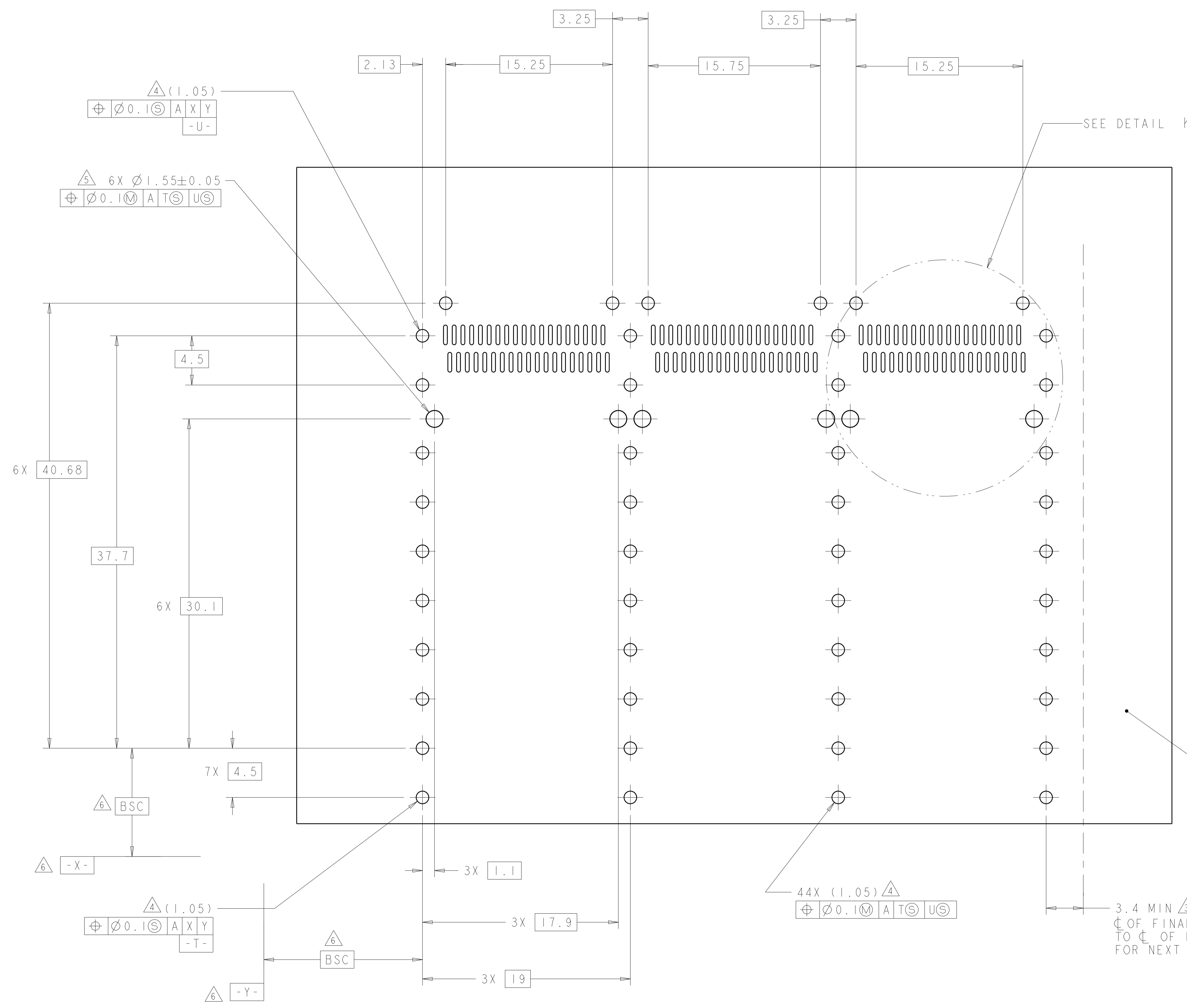


RECOMMENDED PC BOARD LAYOUT  
 SINGLE SIDE MOUNT CONFIGURATION  
 SCALE 5:1

THIS PRODUCT HAS NOT COMPLETED VALIDATION/QUALIFICATION TESTING

THIS DRAWING IS A CONTROLLED DOCUMENT.		OWN: C. VALENTINE 07NOV2007	TE Connectivity NAME: 1X3 CAGE ASSEMBLY, BEHIND BEZEL, QSFP PRODUCT SPEC: 108-2286 APPLICATION SPEC: 114-13218 SIZE: CAGE CODE DRAWING NO: A100779 ©=2007474 RESTRICTED TO: -
DIMENSIONS: mm		CHK: E. BRIGHT 07NOV2007	
TOLERANCES UNLESS OTHERWISE SPECIFIED:		APVD: E. BRIGHT 07NOV2007	
0 PLC ± 1 PLC ±0.1 2 PLC ±0.1 3 PLC ±0.013 4 PLC ±0.0001 ANGLES ±		WEIGHT: - CUSTOMER DRAWING	
MATERIAL: TBD	FINISH: -	SCALE: 3:1	SHEET 3 OF 4 REV D

REVISIONS				
P.	LTN.	DESCRIPTION	DATE	APVD.
-	-	SEE SHEET 1	-	-



RECOMMENDED PC BOARD LAYOUT  
 BELLY TO BELLY CONFIGURATION  
 SCALE 5:1

THIS PRODUCT HAS NOT COMPLETED VALIDATION/QUALIFICATION TESTING

THIS DRAWING IS A CONTROLLED DOCUMENT.		OWN C. VALENTINE CHK E. BRIGHT APVD E. BRIGHT	07NOV2007 07NOV2007 07NOV2007	<b>STE</b> TE Connectivity
DIMENSIONS: mm	TOLERANCES UNLESS OTHERWISE SPECIFIED: 0 PLC ± 1 PLC ±0.1 2 PLC ±0.1 3 PLC ±0.013 4 PLC ±0.0001 ANGLES ±	PRODUCT SPEC 108-2286	APPLICATION SPEC 114-13218	
MATERIAL TBD	FINISH -	WEIGHT -	CUSTOMER DRAWING	SIZE A100779
SCALE 3:1		SHEET 4 OF 4		REV D

单击下面可查看定价，库存，交付和生命周期等信息

[>>TE Connectivity\(泰科\)](#)