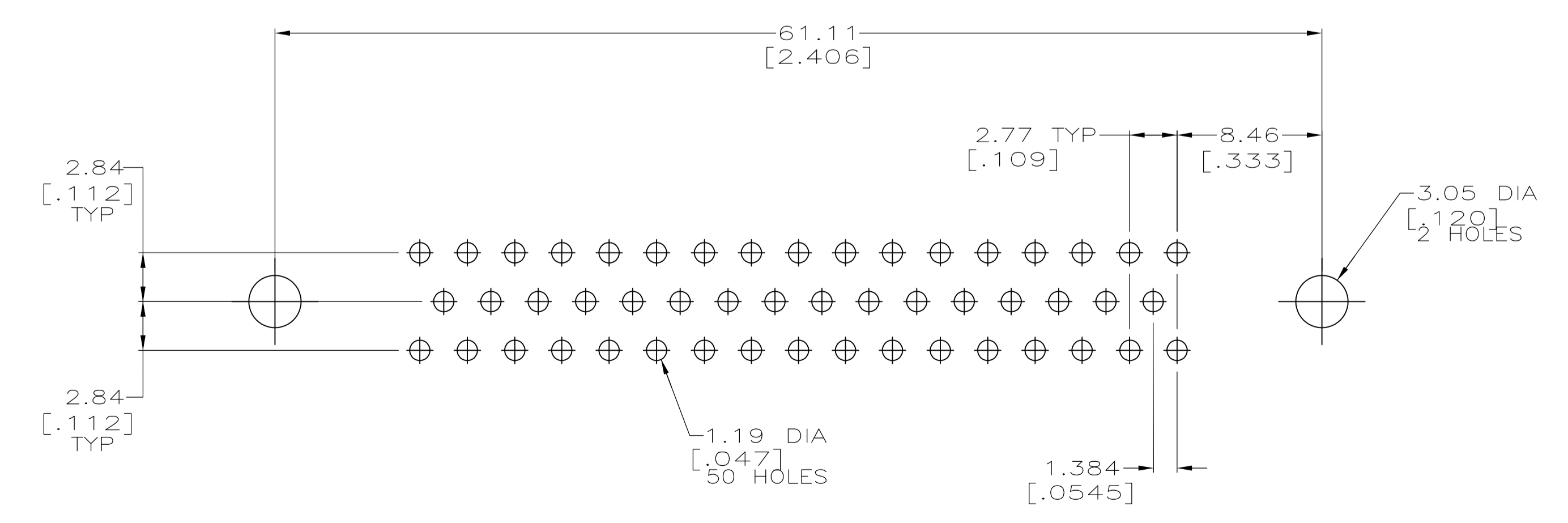
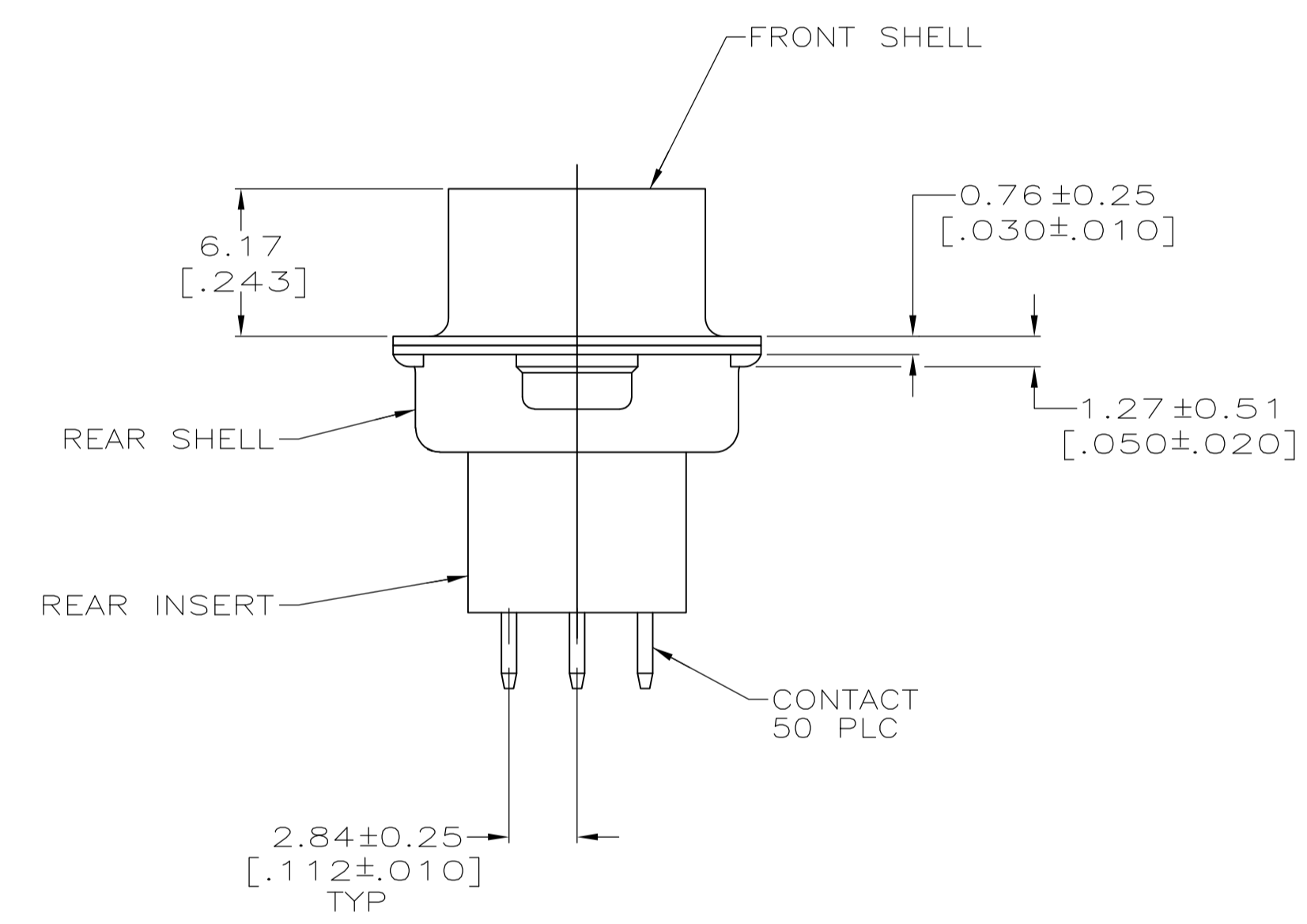
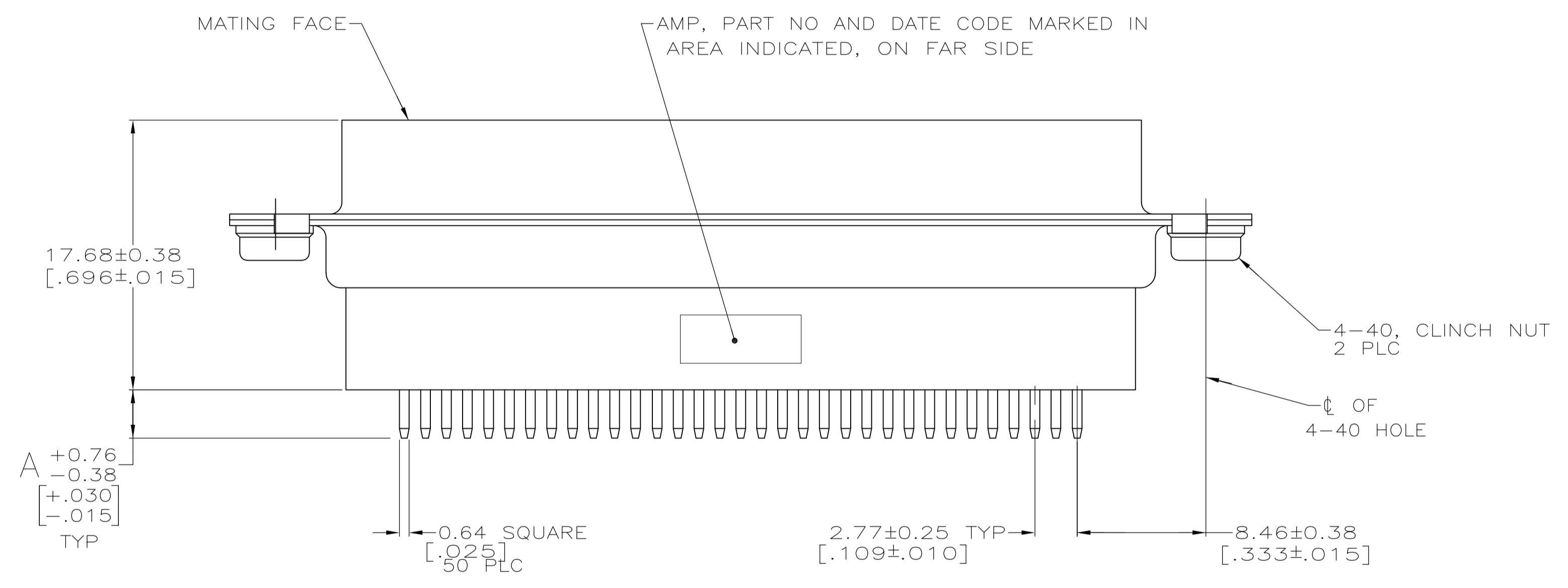


- 1 INSERTS: GLASS-FILLED PBT OR GLASS-FILLED NYLON, UL94V-0 RATED. COLOR: BLACK.
CONTACTS: BRONZE
SHELLS: CARBON STEEL
CLINCH NUT: CARBON STEEL
- 2 GOLD FLASH FOR LENGTH OF 2.54 [.100] MIN FROM MATING END, 2.54μm [.000100] MIN TIN OR TIN-LEAD FOR A LENGTH OF DIMENSION A FROM OPPOSITE END, BOTH OVER 1.27μm [.000050] MIN NICKEL.
- 3 0.76μm [.000030] MIN GOLD FOR LENGTH OF 2.54 [.100] MIN FROM MATING END, 2.54μm [.000100] MIN TIN OR TIN-LEAD FOR A LENGTH OF DIMENSION A FROM OPPOSITE END, BOTH OVER 1.27μm [.000050] MIN NICKEL.
-OR-
GOLD FLASH OVER PALLADIUM-NICKEL, 0.76μm [.000030] MIN TOTAL FOR A LENGTH OF 2.54 [.100] MIN FROM MATING END, 2.54μm [.000100] MIN TIN OR TIN-LEAD FOR A LENGTH OF DIMENSION A FROM OPPOSITE END, BOTH OVER 1.27μm [.000050] MIN NICKEL.
- 4 SHELLS: 5.08μm [.000200] MIN TIN OVER 2.54μm [.000100] MIN COPPER
CLINCH NUT: 5.08μm [.000200] MIN ZINC WITH CLEAR CHROMATE COATING
CONTACTS: SEE TABLE



RECOMMENDED PC BOARD MOUNTING DIMENSIONS

	DIMENSION A	CONTACT FINISH	PART NUMBER
OBSOLETE	4.78 [.188]	2	747302-8
SUPSPD BY 747302-1	4.78 [.188]	3	747302-7
OBSOLETE	16.54 [.651]	2	747302-6
OBSOLETE	16.54 [.651]	3	747302-5
OBSOLETE	10.85 [.427]	2	747302-4
OBSOLETE	10.85 [.427]	3	747302-3
SUPSPD BY 747302-1	3.18 [.125]	2	747302-2
	3.18 [.125]	3	747302-1

THIS DRAWING IS A CONTROLLED DOCUMENT.

DIMENSIONS: mm [INCHES]	TOLERANCES UNLESS OTHERWISE SPECIFIED:	DIN J McCLINTON 12-6-89	TE Connectivity
0 PLC ± -	1 PLC ± -	CIK R. STONE 2-1-90	RECEPTACLE ASSEMBLY, SIZE 5, 50 POSN, VERTICAL, FRONT METAL SHELL, AMPLIMITE® HD-20
2 PLC ± 0.13 [.005]	3 PLC ± -	APVD G. ROHDE 2-02-90	NAME
4 PLC ± -	ANGLES ± °	PRODUCT SPEC	108-40025
		APPLICATION SPEC	114-40013
MATERIAL	FINISH	WEIGHT	SIZE CAGE CODE DRAWING NO RESTRICTED TO
			A1 00779 C=747302
		CUSTOMER DRAWING	SCALE 4:1 SHEET 1 OF 1 REV J

单击下面可查看定价，库存，交付和生命周期等信息

[>>TE Connectivity\(泰科\)](#)