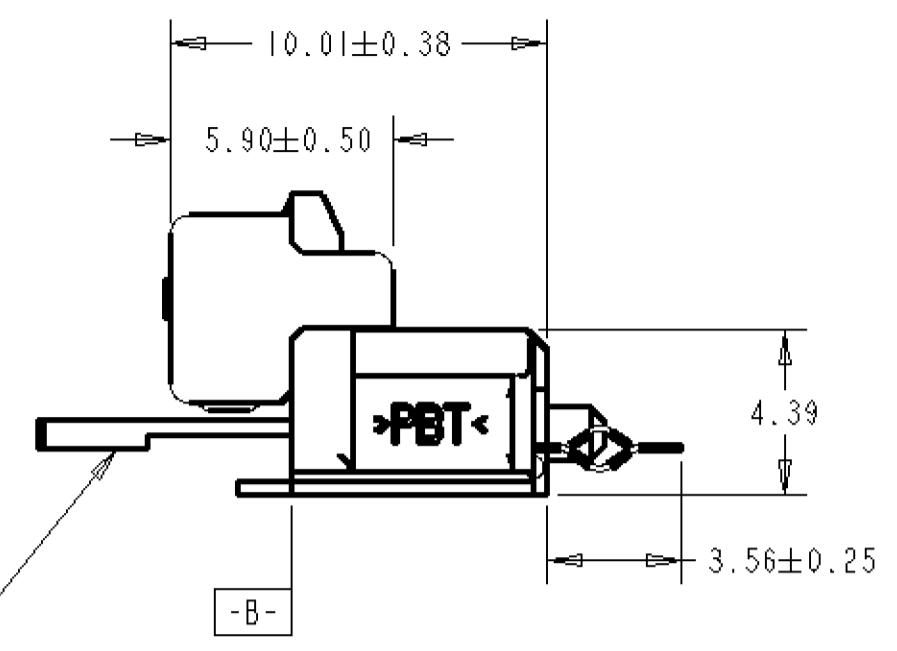
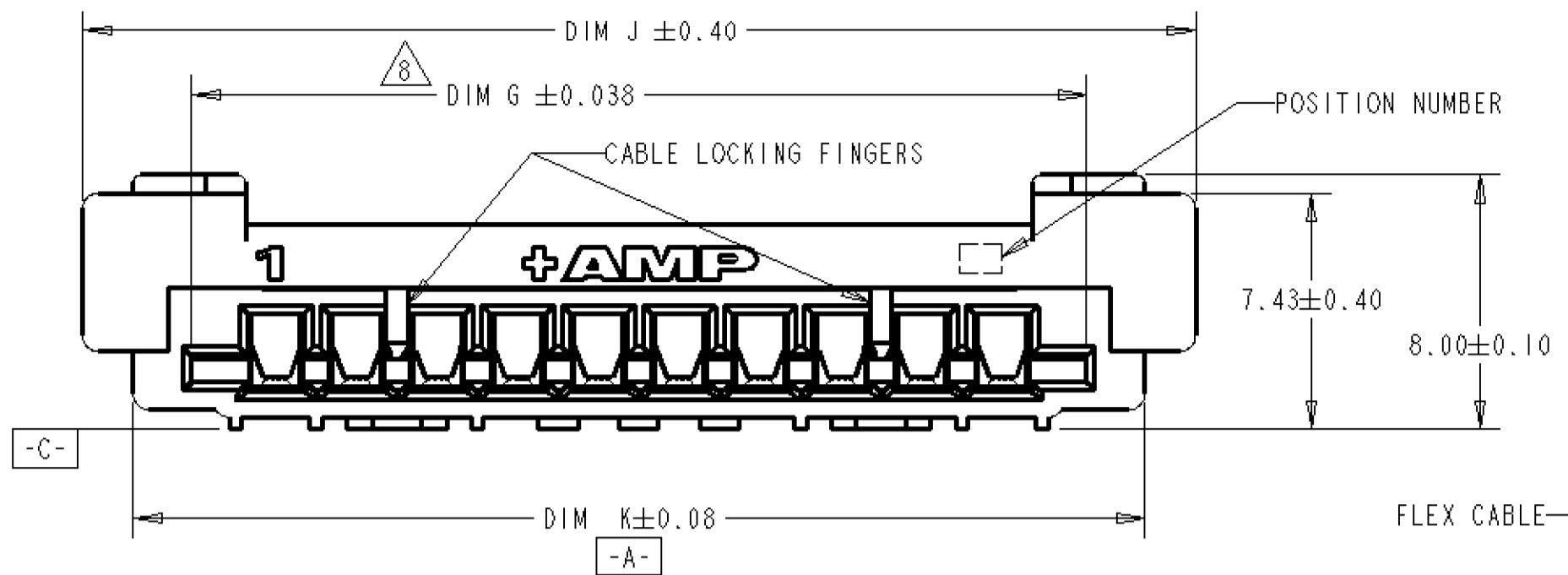
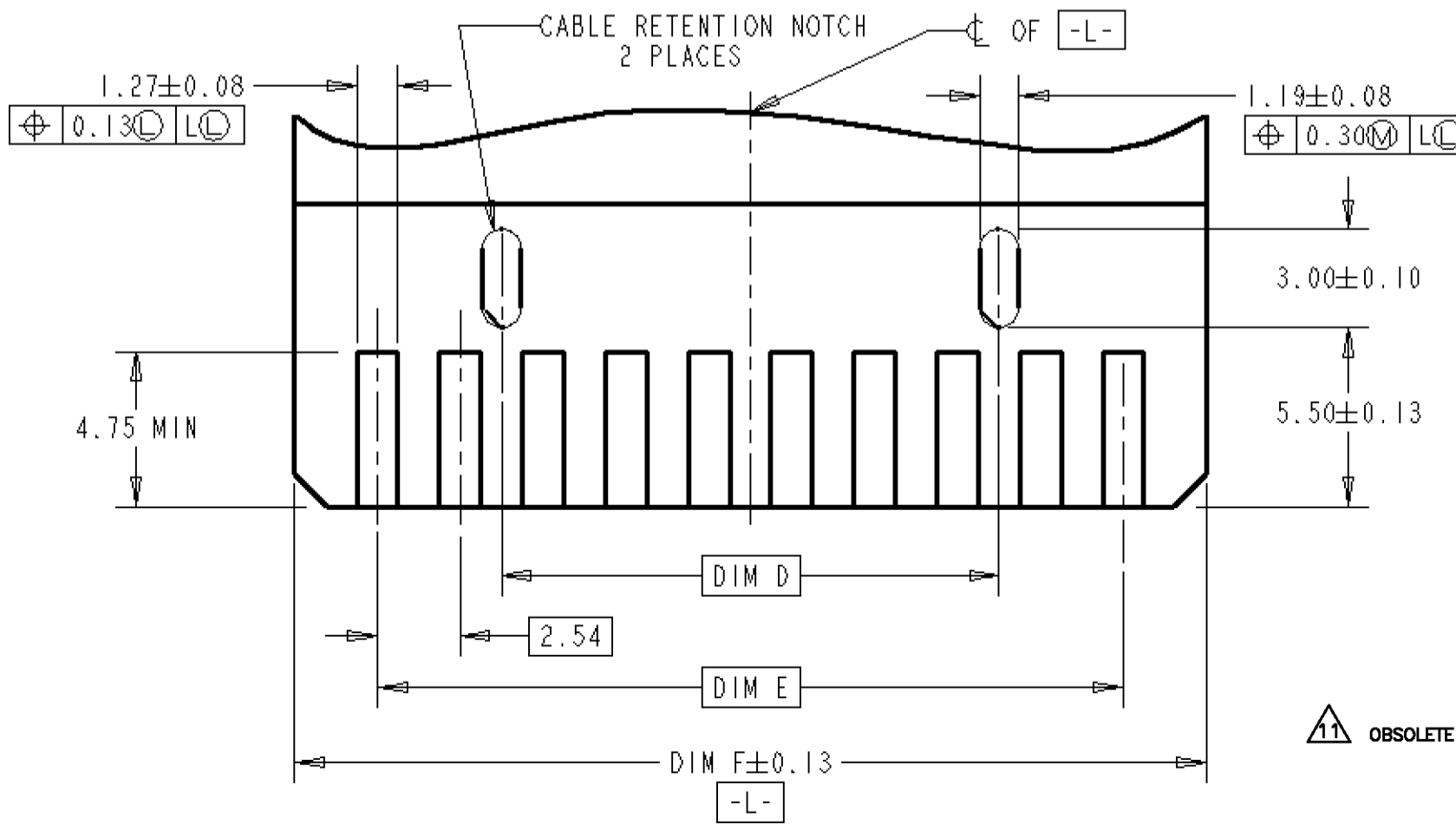
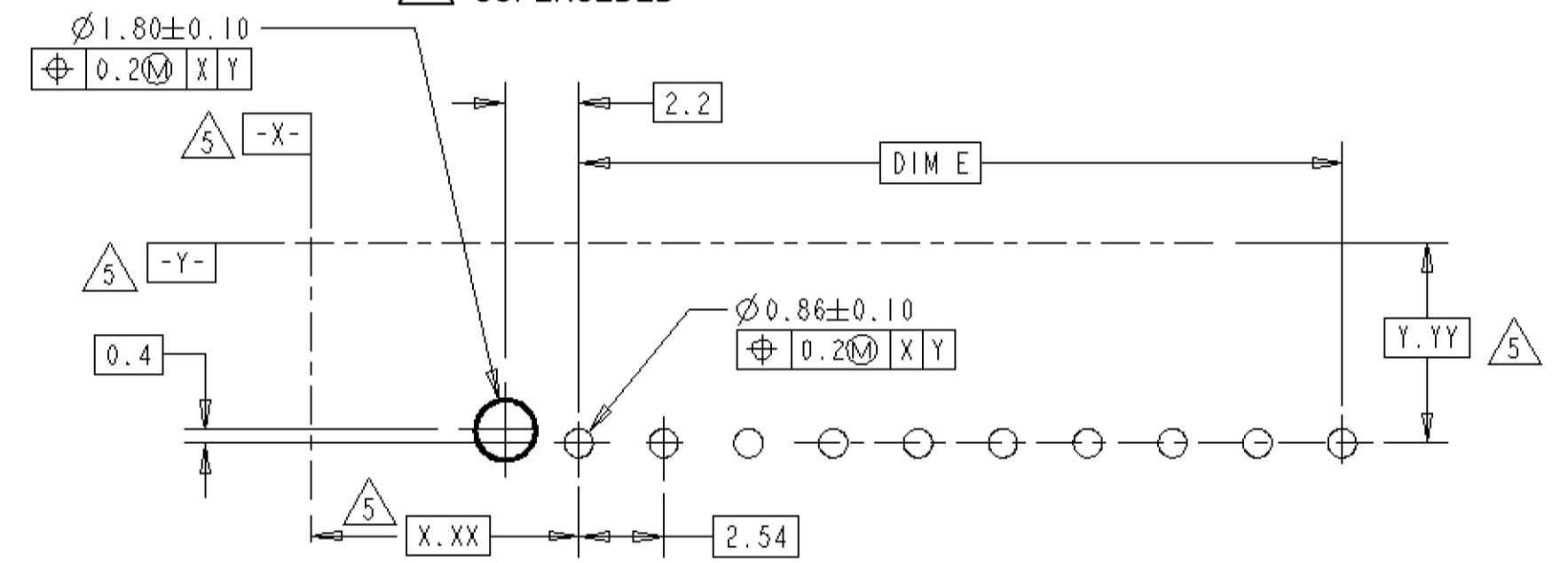
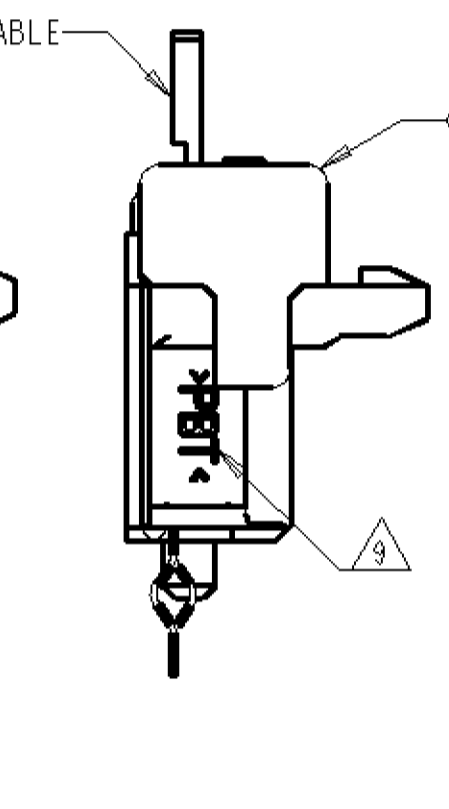
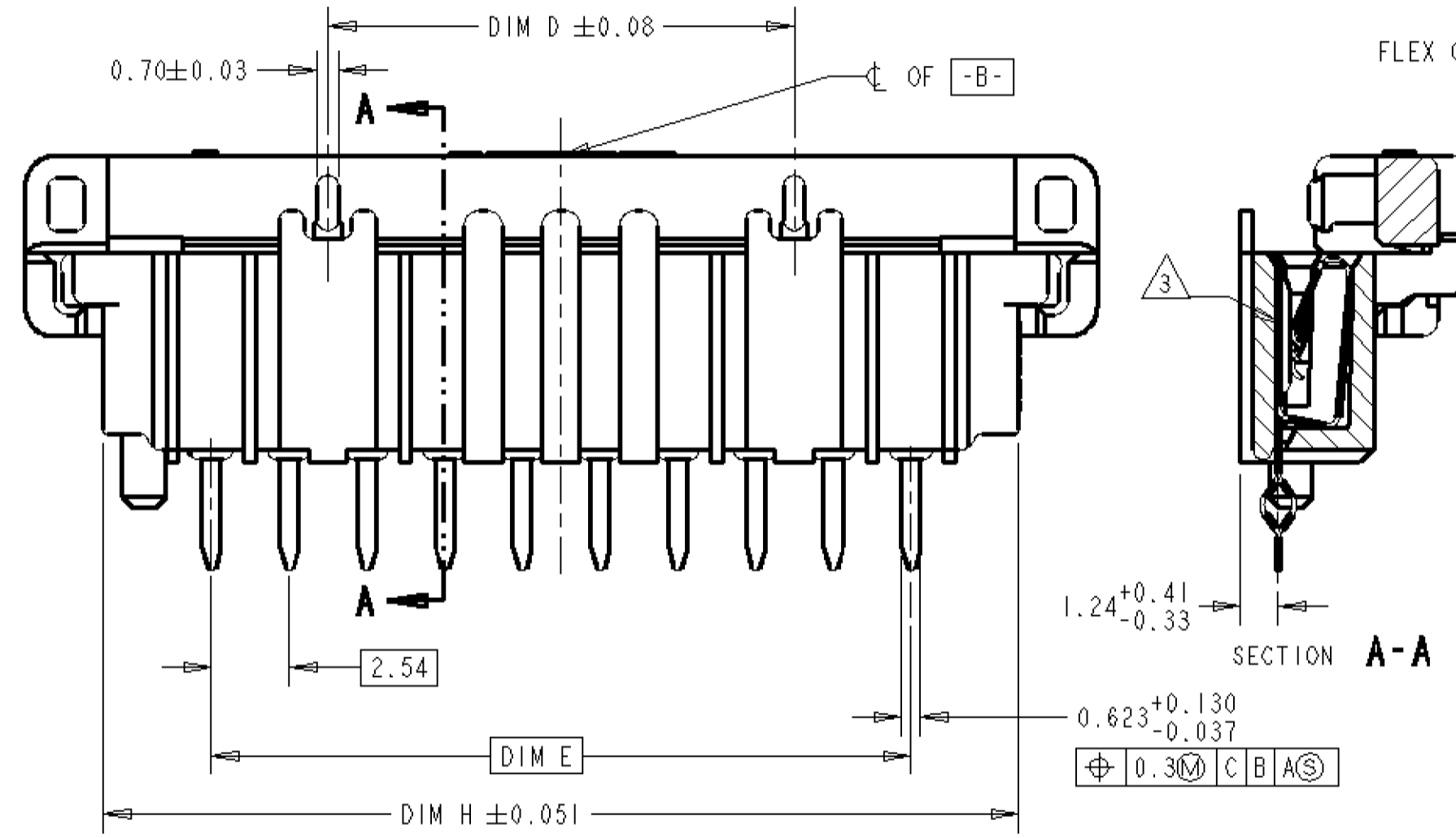


THIS DRAWING IS UNPUBLISHED. RELEASED FOR PUBLICATION  
 COPYRIGHT ALL RIGHTS RESERVED.

REVISONS			DATE	DWN	APVD
P	LTR	DESCRIPTION			
E3		REVISED PER ECO-11-005140	19APR11	RK	HMR



- 1 MATERIALS: HOUSING & LOCKING BAR: GLASS-REINFORCED THERMOPLASTIC, UL 94-V0 RATED, COLOR: BLACK. CONTACT: PHOSPHOR BRONZE.
- 2 CONNECTOR WILL ACCEPT FLEXIBLE PRINTED CIRCUIT OR FLAT FLEXIBLE CABLE ON 2.54 CENTERS IN A THICKNESS RANGE OF 0.127 TO 0.381 IN THE CONTACT AREA.
- 3 SEQUENTIAL CONTACTS REDUCE CABLE INSERTION FORCE.
- 4 FINISH: 0.0038-0.0064 THICK, MATTE TIN OVER COPPER OR NICKEL FLASH PRE-PLATED ON STRIP.
- 5 DATUMS AND DIMENSIONS ESTABLISHED BY THE CUSTOMER.
- 6 CONNECTOR FOR USE ON 1.57 THICK PCB.
- 7. REFER TO AMP APPLICATION SPECIFICATION 114-2062 FOR MORE INFORMATION ABOUT USING THIS PRODUCT.
- 8 DIMENSION APPLIES AT THE BOTTOM OF THE CAVITY.
- 9 DFE SYMBOL ON EITHER SIDE
- 10 SUPERSEDED



PART NUMBER	DIM K	DIM J	DIM H	DIM G	DIM F	DIM E	DIM D	POSN NO.	PART NUMBER
<del>7-120628-2</del>	62.32	65.52	60.40	58.66	58.42	53.34	45.72	22	<del>2-120628-2</del>
7-120628-0	57.24	60.44	55.32	53.58	53.34	48.26	40.64	20	2-120628-0
<del>6-120628-9</del>	54.70	57.90	52.78	51.04	50.80	45.72	38.10	19	<del>1-120628-9</del>
<del>6-120628-8</del>	52.16	55.36	50.24	48.50	48.26	43.18	35.56	18	<del>1-120628-8</del>
<del>6-120628-7</del>	49.62	52.82	47.70	45.96	45.72	40.64	33.02	17	<del>1-120628-7</del>
<del>6-120628-6</del>	47.08	50.28	45.16	43.42	43.18	38.10	30.48	16	<del>1-120628-6</del>
<del>6-120628-4</del>	42.00	45.20	40.08	38.34	38.10	33.02	25.40	14	<del>1-120628-4</del>
<del>6-120628-3</del>	39.46	42.66	37.54	35.80	35.56	30.48	22.86	13	<del>1-120628-3</del>
<del>6-120628-2</del>	36.92	40.12	35.00	33.26	33.02	27.94	20.32	12	<del>1-120628-2</del>
6-120628-0	31.84	35.04	29.92	28.18	27.94	22.86	15.24	10	1-120628-0
<del>5-120628-9</del>	29.30	32.50	27.38	25.64	25.40	20.32	12.70	9	<del>120628-9</del>
5-120628-8	26.76	29.96	24.84	23.10	22.86	17.78	10.16	8	120628-8
<del>5-120628-7</del>	24.22	27.42	22.30	20.56	20.32	15.24	7.62	7	<del>120628-7</del>
<del>5-120628-5</del>	19.14	22.34	17.22	15.48	15.24	10.16	2.54	5	<del>120628-5</del>

1 OBSOLETE PARTS: OBSOLETE CIS STREAMLINING PER D.RENAUD/D.SINISI

DIMENSIONS: mm		TOLERANCES UNLESS OTHERWISE SPECIFIED:		DWN WYLEE 8SEP98		CHK AP TAY		APVD SE LEONG		PRODUCT SPEC		NAME				
0 PLC	±	1 PLC	±	2 PLC	±0.13	3 PLC	±	4 PLC	±	ANGLES	±0°30'	FINISH	108-2038	114-2062	108-2038	LOCKING TRIOMATE ASSY, VERTICAL, POLARIZATION ON PIN #1 SIDE, W/RETENTION LEGS
MATERIAL		FINISH		WEIGHT		SCALE		SHEET		OF		REV				
CUSTOMER DRAWING		SCALE 5:1		SHEET 1		OF 1		REV E3		RESTRICTED TO		-				

单击下面可查看定价，库存，交付和生命周期等信息

[>>TE Connectivity\(泰科\)](#)