

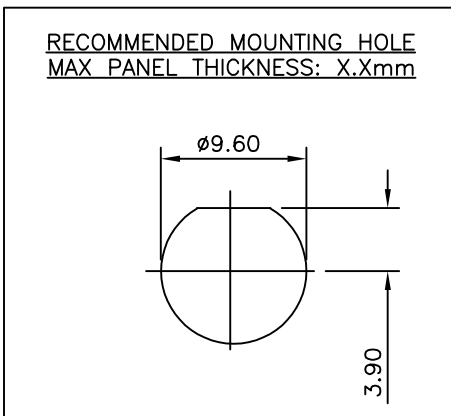
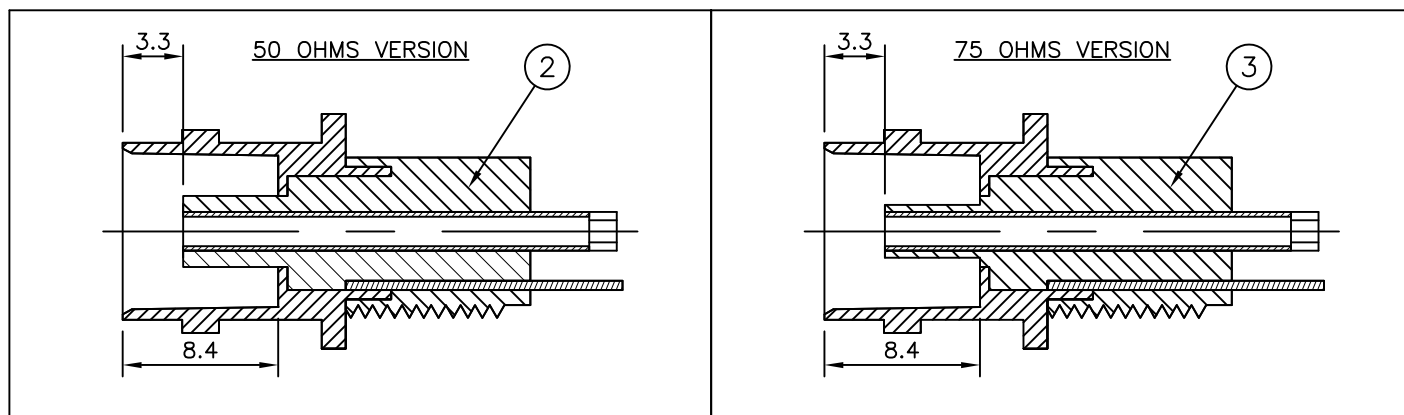
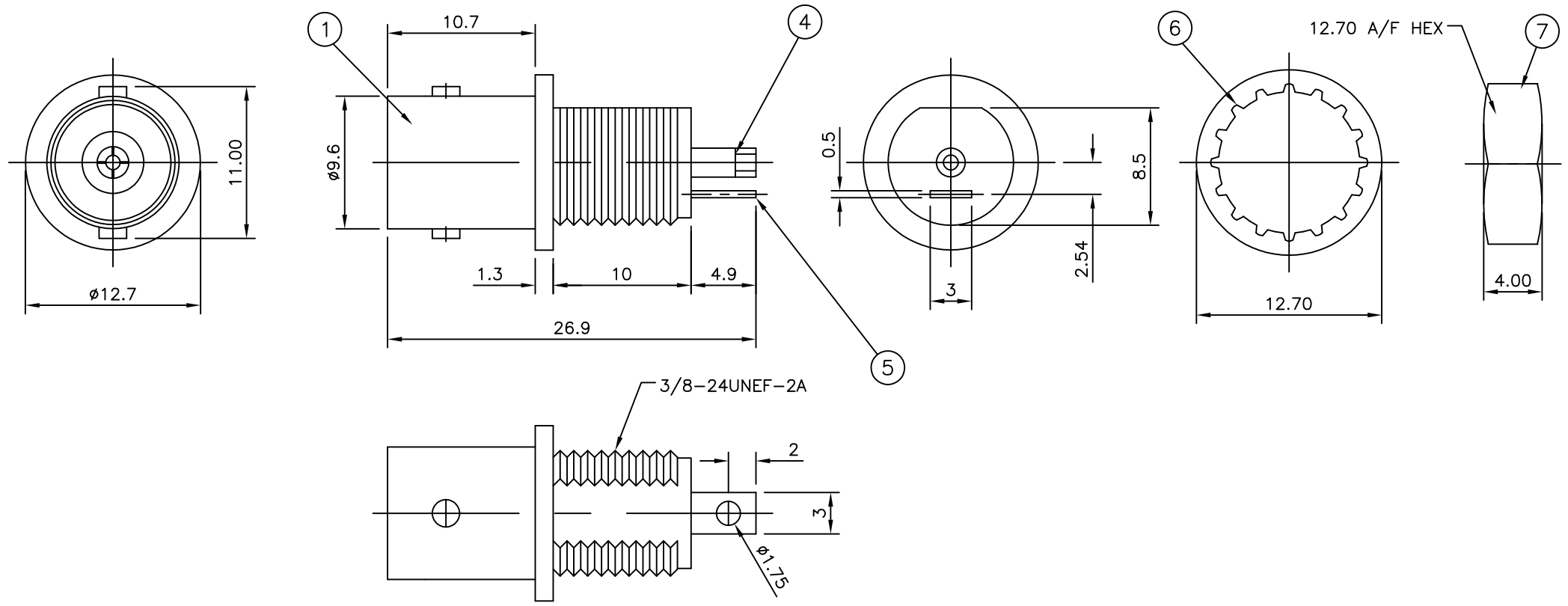
THIS DRAWING IS UNPUBLISHED. RELEASED FOR PUBLICATION AUGUST, 2005.

© COPYRIGHT 2005 By - ALL RIGHTS RESERVED.

LOC	DIST	REVISIONS			
P	LTR	DESCRIPTION	DATE	DWN	APVD
E	B	B1	REVISED PER ECO-11-005033	31MAR11	RK HMR
		C	REVISED PER ECO-12-002190	03FEB12	TITAN MARTIN

NOTES

- 1 100 TRAY PACK IN ACCORDANCE WITH AMP SPEC 107-3275
- 2 SINGLE PACK IN ACCORDANCE WITH AMP SPEC 107-3275
- 3 Au PLATING OVER Ni PLATING OVER Cu PLATING
- 4 Ni PLATING OVER Cu PLATING
- 5. FOR TECHNICAL DATA REFER TO YOUR LOCAL TE CONNECTIVITY SALES OFFICE
- 6. ALL DIMENSIONS ARE NOMINAL FOR REFERENCE ONLY UNLESS OTHERWISE STATED



OBSOLETE				OBSOLETE				PARTS LIST	
QTY	QTY	QTY	QTY	MATERIAL	DESCRIPTION	ITEM			
1	1	1	1	BRASS	HEX NUT	7			
1	1	1	1	STEEL	LOCK WASHER	6			
1	1	1	1	BRASS	GROUND TAG	5			
1	1	1	1	PHOS BRONZE	CONTACT	4			
	1	-	-	PBT POLYESTER	INSULATOR	3			
	-	1	1	PBT POLYESTER	INSULATOR	2			
1	1	1	1	ZINC ALLOY	BODY	1			
5--3	5--2	5--1	5--0	MATERIAL	DESCRIPTION	ITEM			
QUANTITY PER ASSY									

THIS DRAWING IS A CONTROLLED DOCUMENT.

DWN	RITA ZUO	24 Feb 09	 TE Connectivity	BNC INSULATED BULKHEAD SOCKET FRONT MOUNT			
CHK	ANSON MA	24 Feb 09					
APVD	BOB ZHAO	24 Feb 09					
PRODUCT SPEC	108-112000						
APPLICATION SPEC			SIZE	CAGE CODE	DRAWING NO	RESTRICTED TO	
				A300779	C-1634504		
MATERIAL	SEE TABLE	FINISH	SEE TABLE	CUSTOMER DRAWING	SCALE	SHEET	REV
					NTS	1 OF 1	C

单击下面可查看定价，库存，交付和生命周期等信息

[>>TE Connectivity\(泰科\)](#)