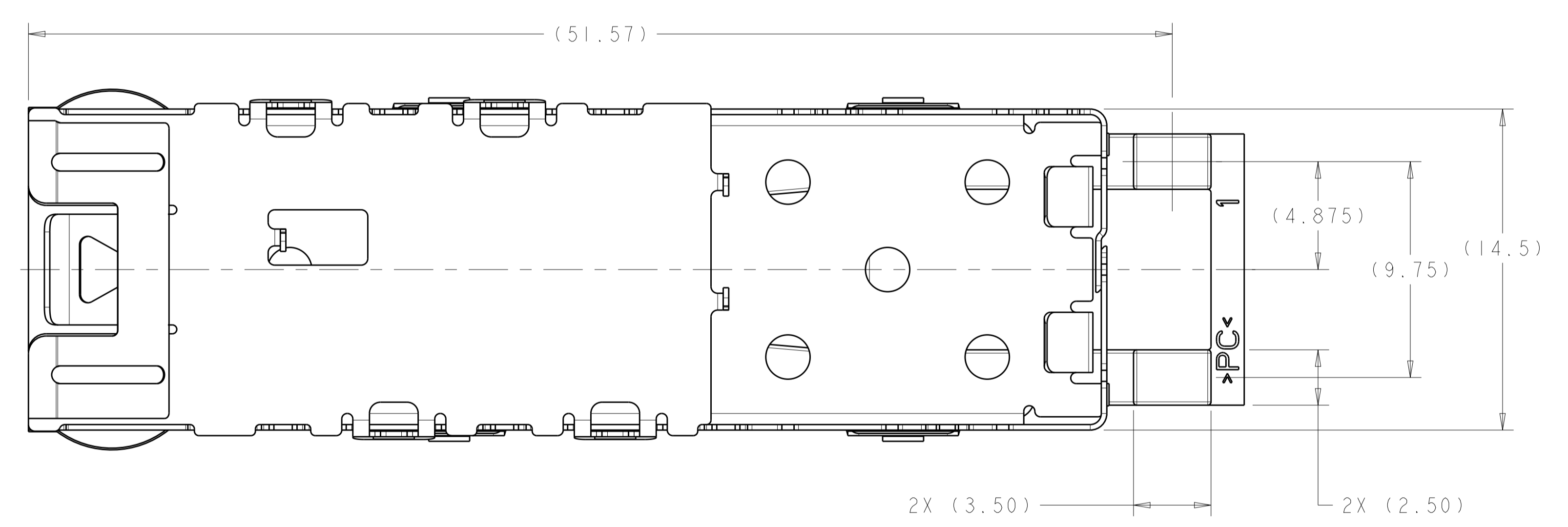
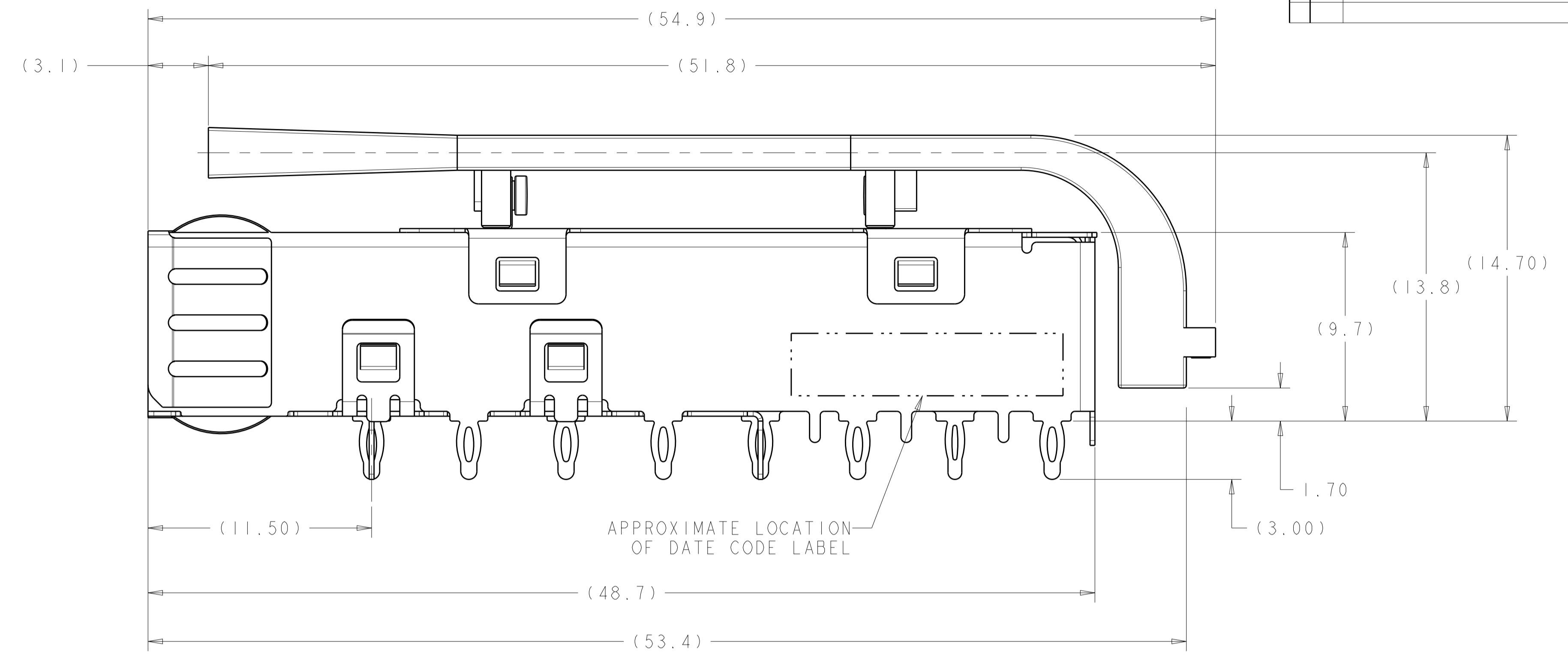
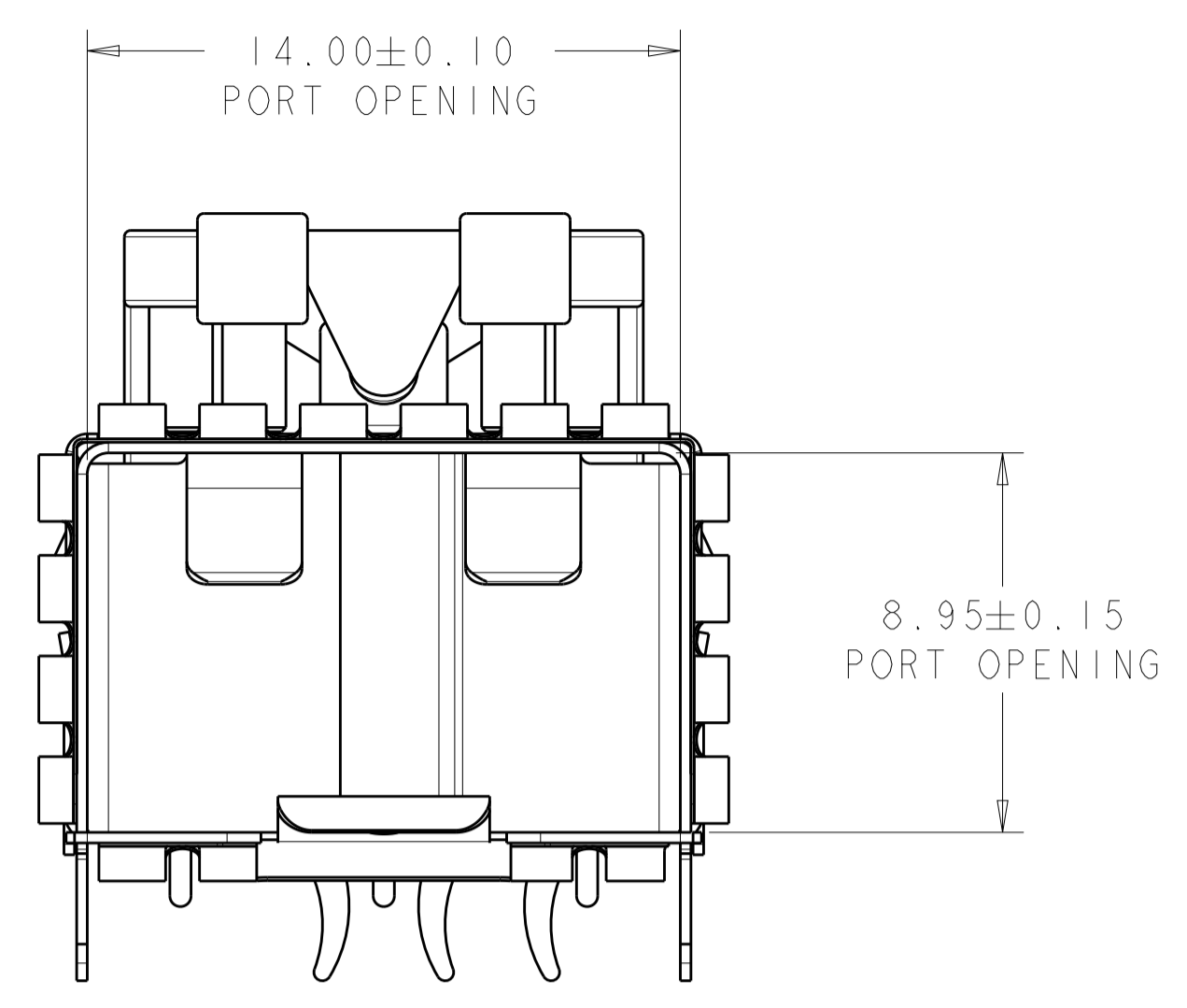
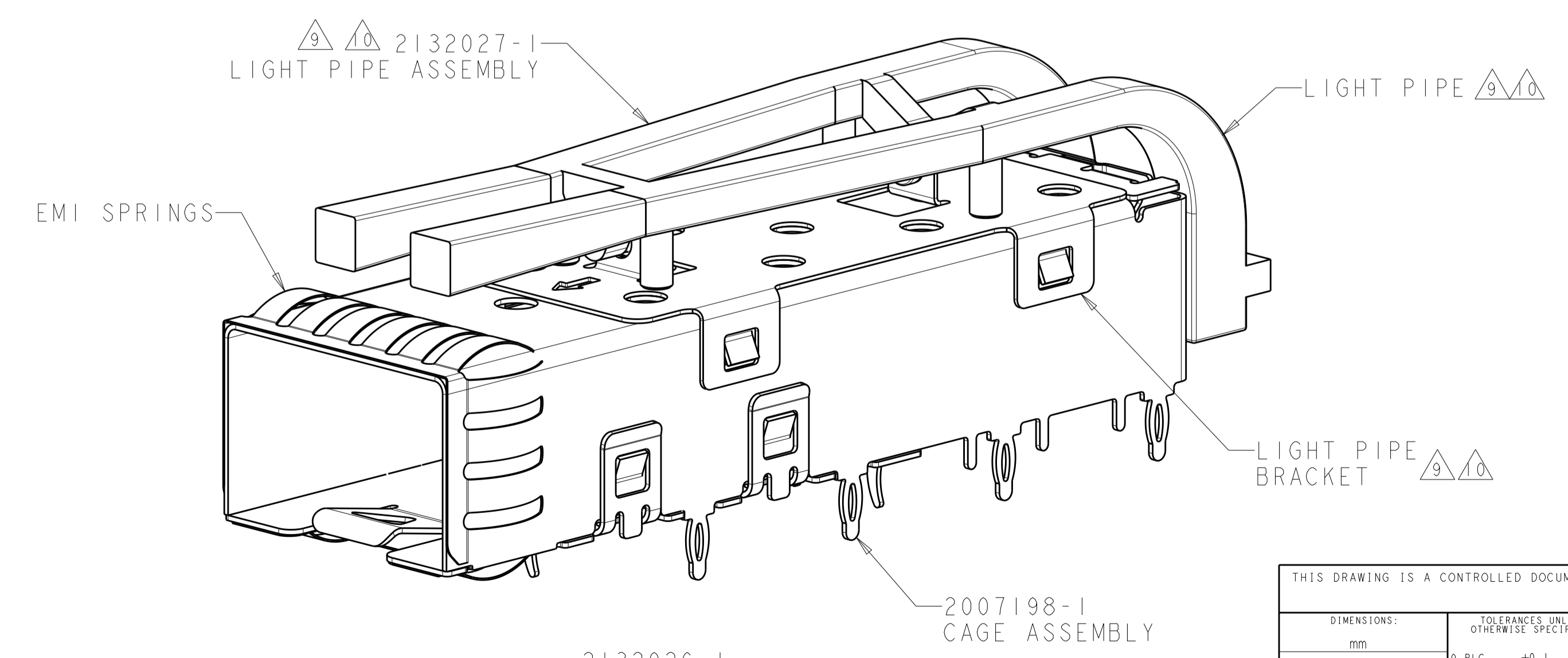


REVISIONS				
REV	DATE	BY	CHKD	APPROV
A	26FEB2016	JW	SH	



- ⚠ MATERIAL:
 CAGE ASSEMBLY - 0.25 THICK NICKEL-SILVER ALLOY.
 EMI SPRINGS - COPPER ALLOY.
 LIGHT PIPE - POLYCARBONATE, CLEAR.
 LIGHT PIPE BRACKET - STAINLESS STEEL.
- ⚠ FINISH:
 EMI SPRINGS - 0.8um MIN MATTE TIN OVER 0.8um MIN NICKEL
 NON-PLATED EDGES PERMISSIBLE.
- 3. MATES WITH SFP MSA COMPLIANT TRANSCEIVERS.
- ⚠ PADS AND VIAS CHASSIS GROUND.
- ⚠ DATUM AND BASIC DIMENSION ESTABLISHED BY CUSTOMER.
- 6. MINIMUM PC BOARD THICKNESS:
 SINGLE SIDED: 1.50mm
 DOUBLE SIDED: 3.00mm
- ⚠ REFERENCE APPLICATION SPEC. 114-13120, HOLE A, FOR
 RECOMMENDED DRILL HOLE DIAMETER AND PLATING THICKNESS.
- ⚠ REFERENCE APPLICATION SPEC. 114-13120, HOLE C, FOR
 RECOMMENDED DRILL HOLE DIAMETER AND PLATING THICKNESS.
 INTO PCB PRIOR TO ATTACHING THE LIGHTPIPE ASSEMBLY
 TO THE CAGE.
- ⚠ LIGHT PIPE ASSEMBLY SHIPPED UNASSEMBLED TO CAGE ASSEMBLY.
 CAGE ASSEMBLY TO BE PRESSED INTO PCB PRIOR TO ATTACHING
 THE LIGHT PIPE ASSEMBLY TO THE CAGE.
- ⚠ LIGHT PIPE AND LIGHT PIPE BRACKET SHIPPED ASSEMBLED.



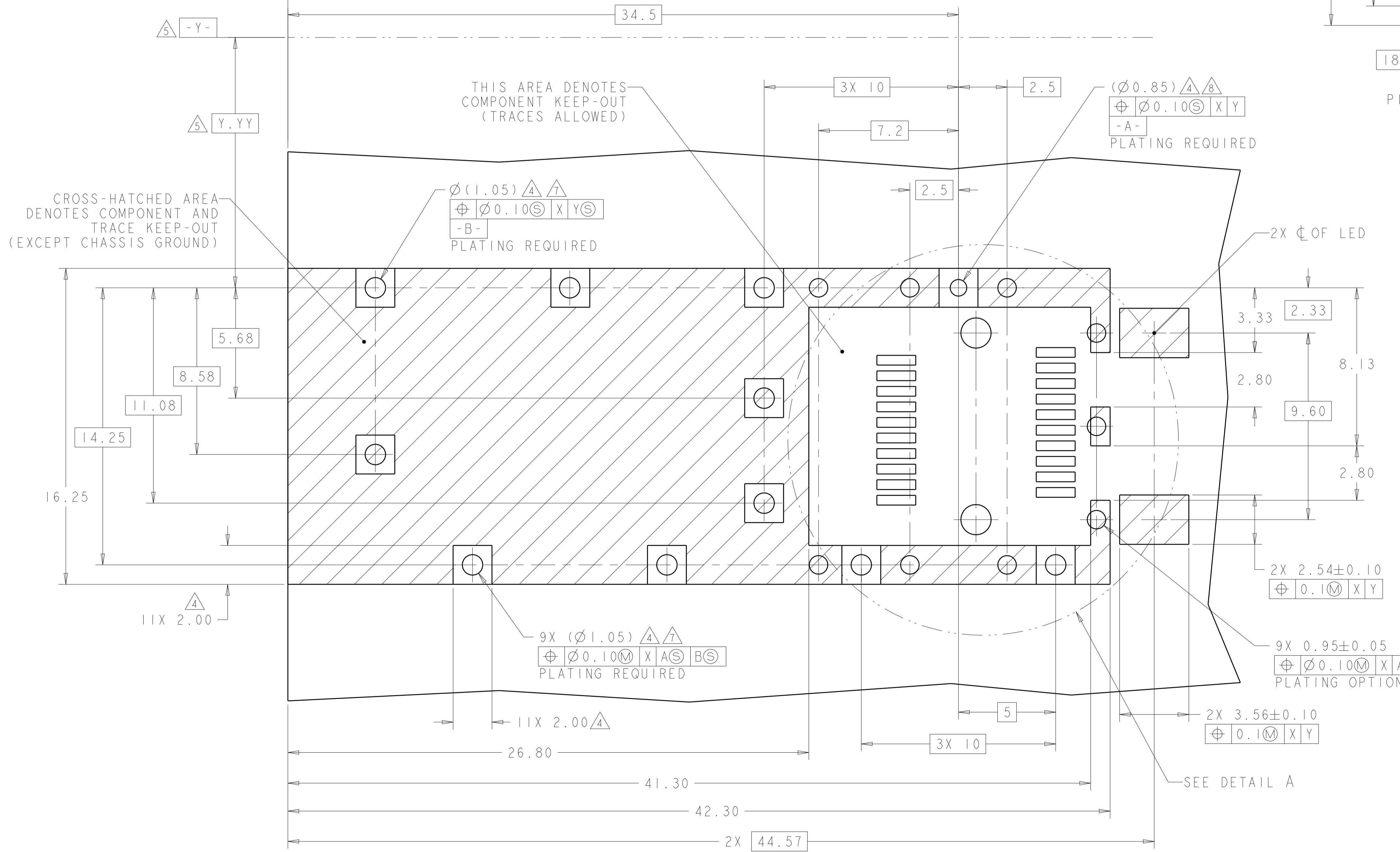
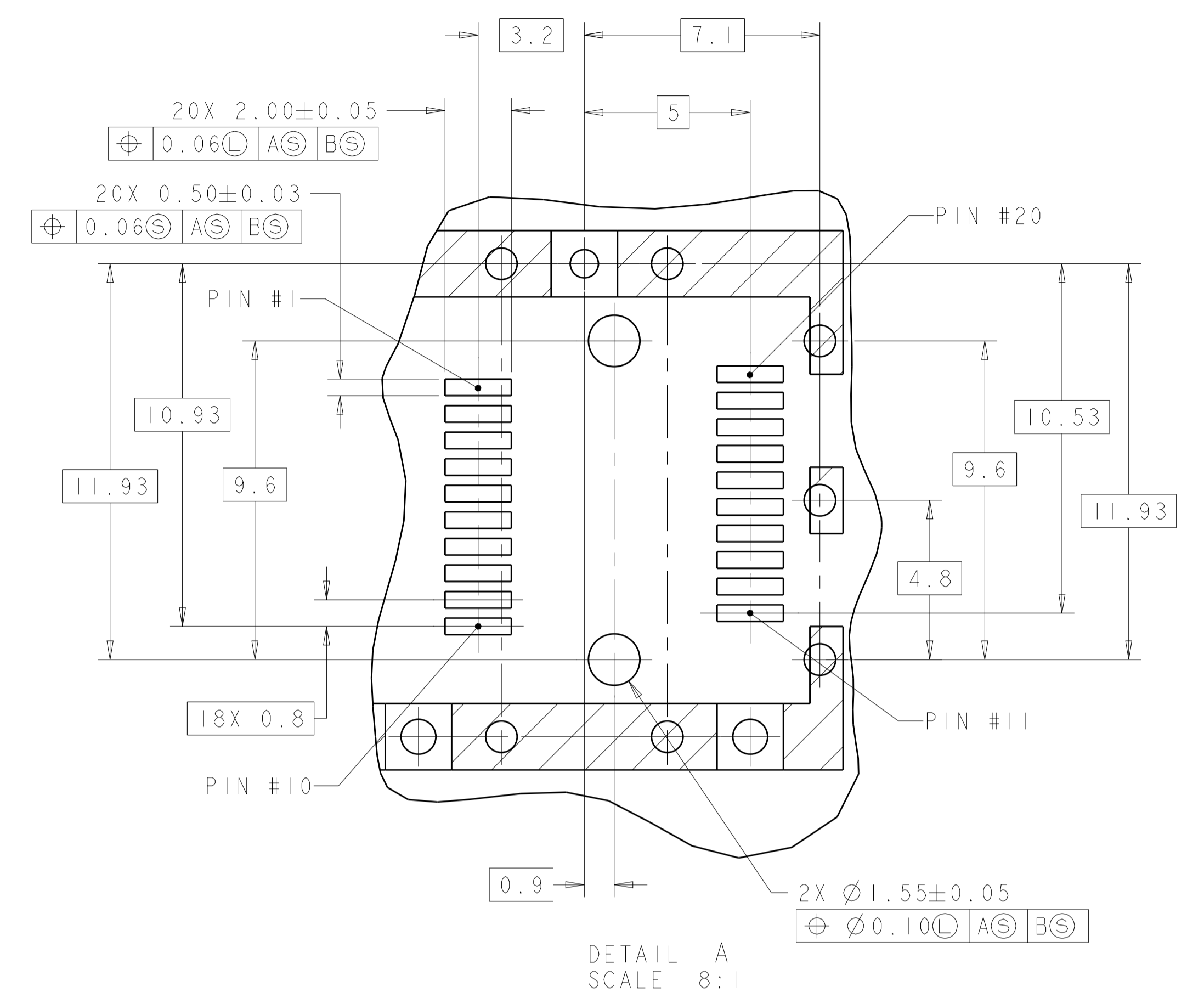
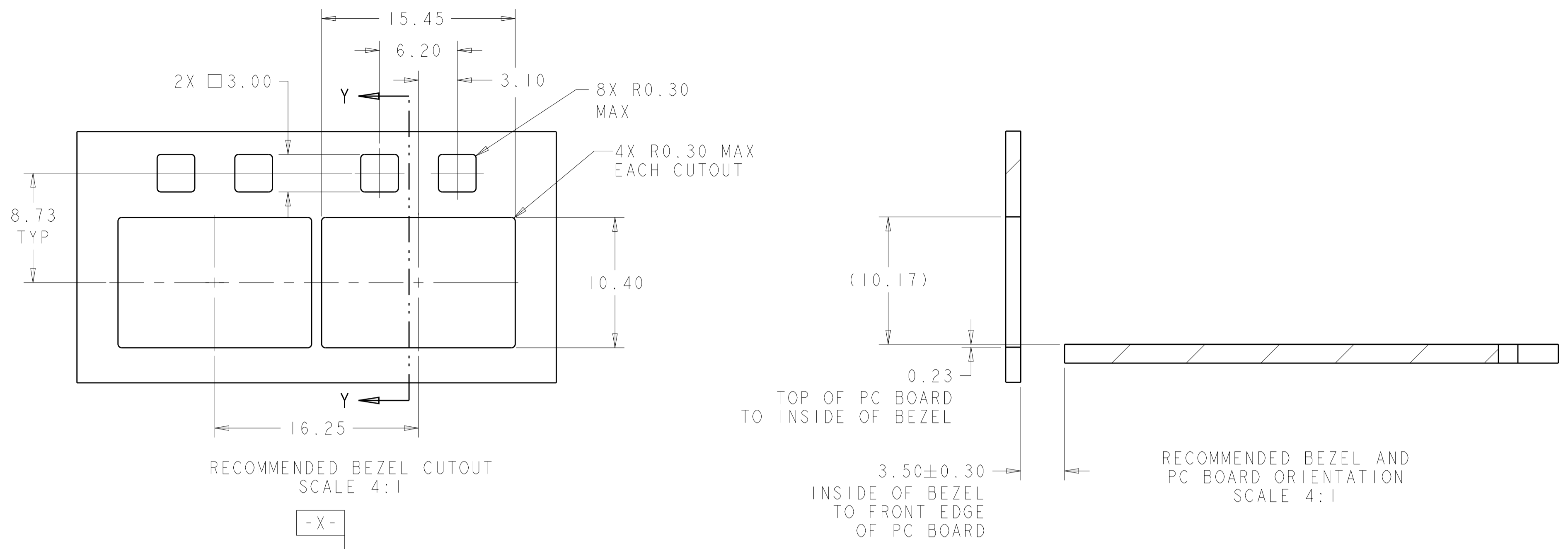
2132026-1
 SHOWN ASSEMBLED
 SCALE 5:1

2132026-1
 PART
 NUMBER

THIS DRAWING IS A CONTROLLED DOCUMENT.		DWN C. ROHLER 08OCT2009	TE Connectivity	
DIMENSIONS:		CHK M. SCHMITT 08OCT2009		
mm	TOLERANCES UNLESS OTHERWISE SPECIFIED:	APV B. WERTZ 08OCT2009	NAME SFP+ IXI CAGE ASSEMBLY PRESS-FIT, W/ LIGHT PIPES	
0 PLC	±0.1	PRODUCT SPEC	SIZE CAGE CODE DRAWING NO	
2 PLC	±0.1	108-2364	RESTRICTED TO	
3 PLC	±0.1	APPLICATION SPEC	A100779C=2132026	
4 PLC	±0.05	114-13120	SCALE 6:1 SHEET 1 OF 2 REV A	
ANGLES	±0.05	WEIGHT		
MATERIAL	FINISH	CUSTOMER DRAWING		

GP 00

REVISIONS				
REV	DATE	BY	APP'D	DESCRIPTION
-	-	-	-	SEE SHEET 1



THIS DRAWING IS A CONTROLLED DOCUMENT.		OWN C. ROHLER 08OCT2009	STE TE Connectivity
DIMENSIONS: mm		CHK M. SCHMITT 08OCT2009	
TOLERANCES UNLESS OTHERWISE SPECIFIED:		APP'D B. WERTZ 08OCT2009	NAME SFP+ IXI CAGE ASSEMBLY PRESS-FIT, W/ LIGHT PIPES
0 PLC ±0.1		PRODUCT SPEC 108-2364	SIZE CAGE CODE DRAWING NO. RESTRICTED TO
1 PLC ±0.1		APPLICATION SPEC 114-13120	A100779C=2132026
2 PLC ±0.1		WEIGHT	SCALE 6:1 SHEET 2 OF 2 REV A
3 PLC ±0.05		CUSTOMER DRAWING	
4 PLC ±0.05			
ANGLES ±0.05			

单击下面可查看定价，库存，交付和生命周期等信息

[>>TE Connectivity\(泰科\)](#)