

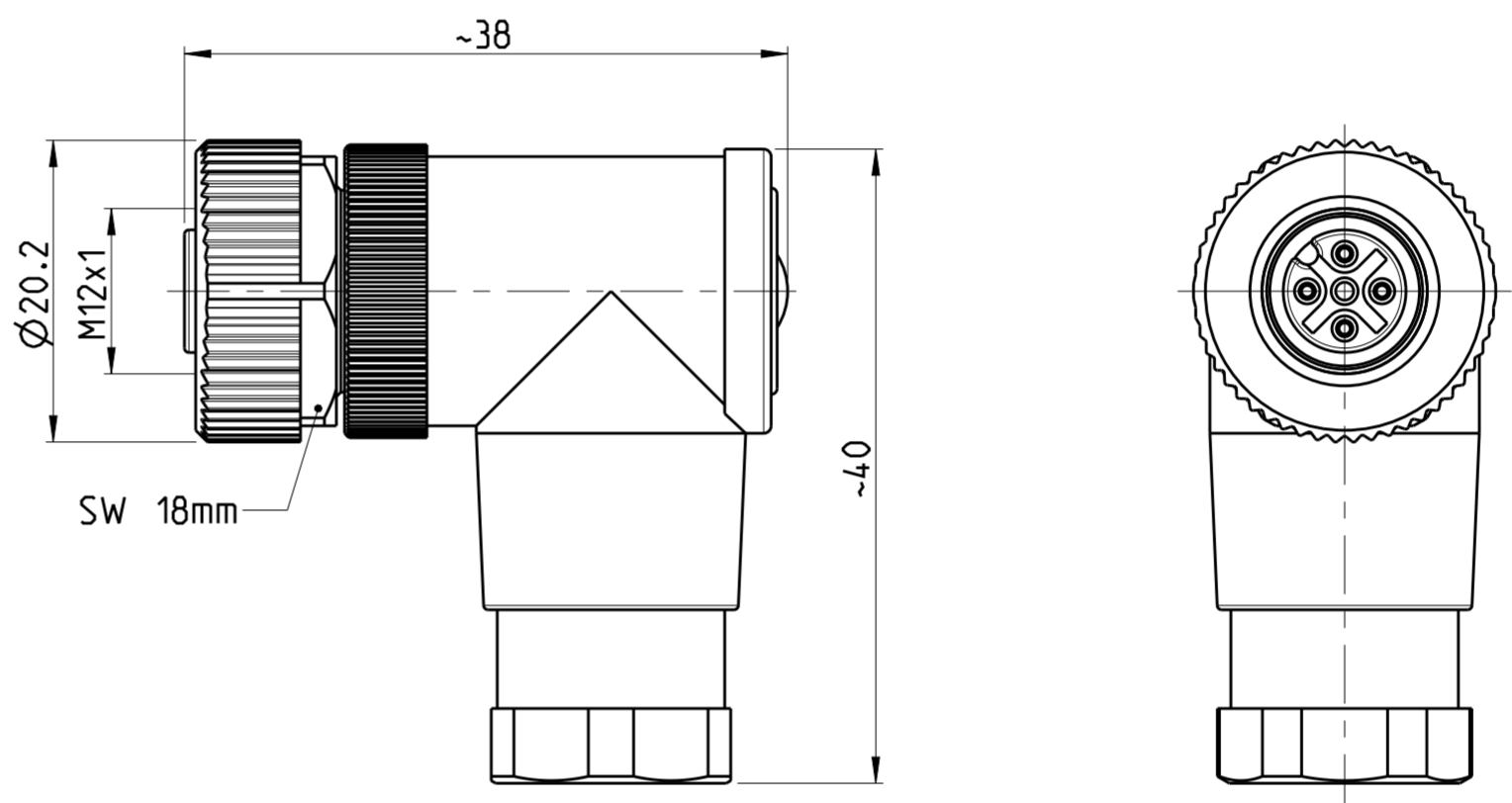
THIS DRAWING IS UNPUBLISHED. VERTRÄULICHE UNVERÖFFENTLICHTE ZEICHNUNG. RELEASED FOR PUBLICATION FREI FÜR VERÖFFENTLICHUNG. 2014. MATED WITH: PASSEND ZU: (C) COPYRIGHT 2014 Tyco Electronics AMP GmbH. ALL RIGHTS RESERVED. ALLE RECHTE VORBEHALTEN.

PROJEKT NR.: PRJ-14-00000805

REVISIONS		DATE	DWN	APVD
ÄNDERUNGEN				
P	LTR	DESCRIPTION		
		BESCHREIBUNG		
	A2	DESCRIPTION CORRECTED FROM SOLDER TO SCREW TERMINAL IN TITLE BLOCK	13NOV2014	CR JK

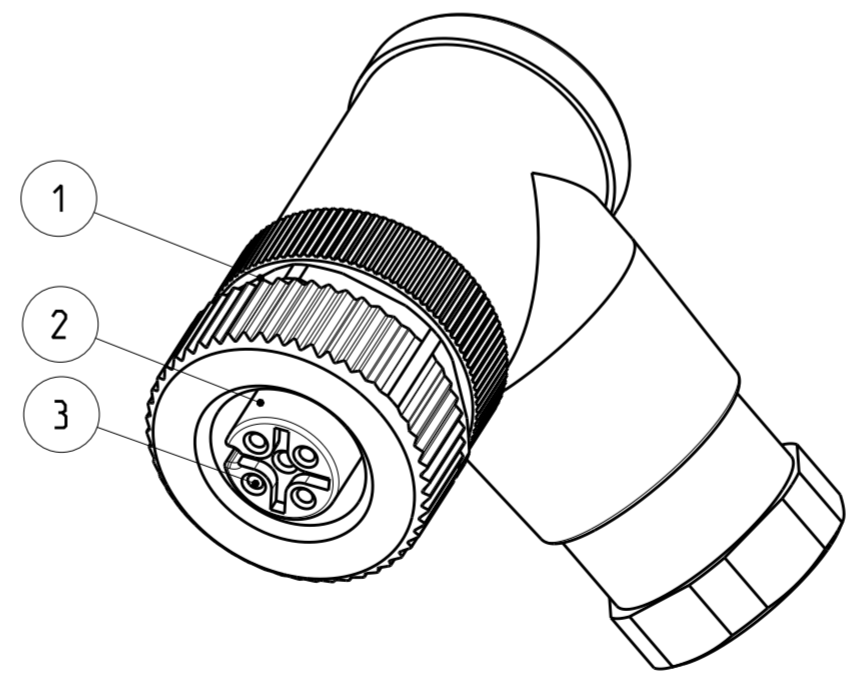
TECHNICAL DATA	2-2271128-1	2-2271128-2	3-2271128-1	3-2271128-2	4-2271128-1	4-2271128-2	5-2271128-2	6-2271128-2
RATED VOLTAGE	250V	250V	250V	250V	125V	125V	60V	30V
RATED IMPULSE VOLTAGE	2500V	2500V	2500V	2500V	1500V	1500V	800V	500V
POLLUTION DEGREE	3	3	3	3	3	3	3	3
OVERVOLTAGE CATEGORY	II	II	II	II	II	II	II	II
MATERIAL GROUP	II	II	II	II	II	II	II	II
RATED CURRENT	4A	4A	4A	4A	4A	4A	2A	2A
VOLUME RESISTIVITY	≤ 8mΩ	≤ 8mΩ	≤ 8mΩ	≤ 8mΩ	≤ 8mΩ	≤ 8mΩ	≤ 3mΩ	≤ 3mΩ
DEGREE OF PROTECTION	IP67	IP67	IP67	IP67	IP67	IP67	IP67	IP67
UPPER TEMPERATURE	+85 °C	+85 °C	+85 °C	+85 °C	+85 °C	+85 °C	+85 °C	+85 °C
LOWER TEMPERATURE	-40 °C	-40 °C	-40 °C	-40 °C	-40 °C	-40 °C	-40 °C	-40 °C

- 1 MATERIAL: ITEM NO. 1: HOUSING - PBT
ITEM NO. 2: CONTACT BODY - PA
ITEM NO. 3: CONTACT - CuZn (brass)
- 2 CONTACT FINISH - CuSnZn (Optalloy)
- 3 CONTACT FINISH - Au (gold)
- 4 ALL DIMENSIONS ARE FOR NOMINAL REFERENCE ONLY UNLESS OTHERWISE STATED
- 5 MEASUREMENT REFERENCE ONLY
- 6 PACKAGING: 1 PIECE IN A BAG



PIN ARRANGEMENT A-CODING (SCALE 2:1)

2-2271128-1	2-2271128-2	3-2271128-1	3-2271128-2
4-2271128-1	4-2271128-2	5-2271128-2	6-2271128-2



3-2 AS SHOWN WIE GEZEICHNET

CABLE FEED-THROUGH	WIRES	MATERIAL	NUMBER OF POLES	TE-PART-NO.
mm	AWG / mm ²			
6-8	24 / 0.25mm ²	1 3	12	6-2271128-2
6-8	20 / 0.50mm ²	1 3	8	5-2271128-2
6-8	18 / 0.75mm ²	1 2	5	4-2271128-2
4-6	18 / 0.75mm ²	1 2	5	4-2271128-1
6-8	18 / 0.75mm ²	1 2	4	3-2271128-2
4-6	18 / 0.75mm ²	1 2	4	3-2271128-1
6-8	18 / 0.75mm ²	1 2	3	2-2271128-2
4-6	18 / 0.75mm ²	1 2	3	2-2271128-1

DIESE ZEICHNUNG IST EIN KONTROLLIERTES DOKUMENT. BEMASSUNGEN UND TOLERANZEN GEMAESS GPS (ISO STANDARDS). THIS DRAWING IS A CONTROLLED DOCUMENT. DIMENSIONING AND TOLERANCING PER GPS (ISO STANDARDS).

DIMENSIONS: MASSE/WEITEN: (mm) TOLERANCES UNLESS OTHERWISE SPECIFIED: ALLGEMEINTOLERANZEN
 0 PLC ±
 1 PLC ±
 2 PLC ±
 3 PLC ±
 4 PLC ±
 ANGLES/WINKEL ±
 FINISH/OBERFLÄCHE/FARBE -

DWN YASHKUMAR 25APR2014
 CHK M.STRELOW 25APR2014
 APVD C.SCHREITLINGER 25APR2014
 PRODUCT SPEC 108-19483
 APPLICATION SPEC 114-32127
 WEIGHT GEWICHT -
 Customer Drawing /KUNDENZEICHNUNG

STE TE Connectivity
 NAME M12 RECEPTACLE, 90 DEG ANGLED FIELD INSTALLABLE, UNSHIELDED CONNECTOR, SCREW TERMINALS, A-CODING
 SIZE A2 CAGE CODE 00779 DRAWING NO. ZEICHNUNGS-NR. C-2271128
 SCALE MASSSTAB 2:1 SHEET BLATT 1 OF 1 REV A2

单击下面可查看定价，库存，交付和生命周期等信息

[>>TE Connectivity\(泰科\)](#)