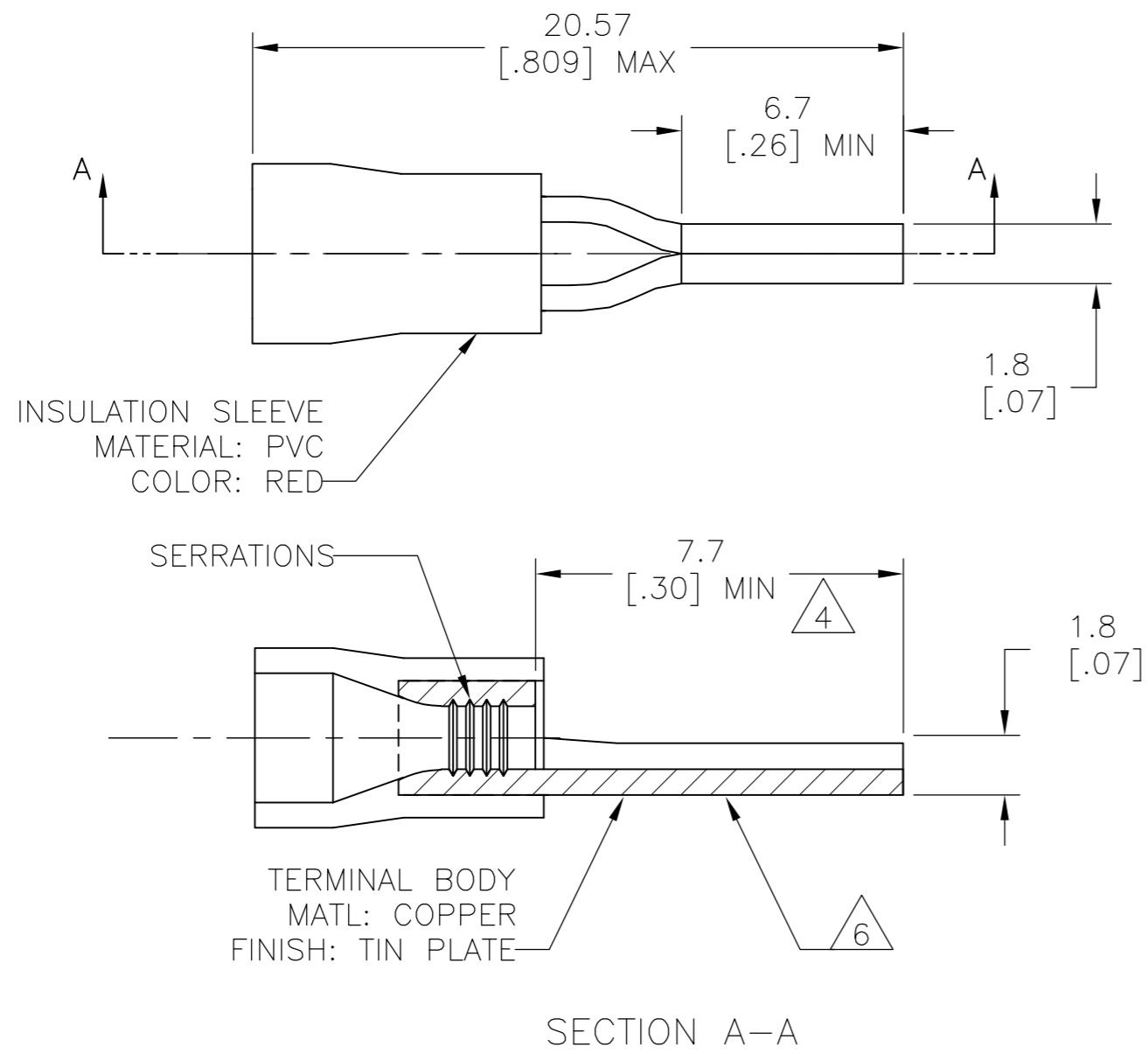


THIS DRAWING IS UNPUBLISHED. RELEASED FOR PUBLICATION  
 © COPYRIGHT - By - ALL RIGHTS RESERVED.

| LOC | DIST | REVISIONS   |                           |           |       |
|-----|------|-------------|---------------------------|-----------|-------|
| P   | LTR  | DESCRIPTION | DATE                      | DWN       | APVD  |
| G   | 02   | G2          | REVISED PER ECO-14-003208 | 18MAR2014 | NK DR |



- 1 WIRE SIZE IS #22-#16 AWG
- 2 WIRE INSULATION DIA: 2.7 - 3.6[.10-.14]
- 3 MATERIAL THICKNESS IS 0.8[.03]
- 4 DIMENSION APPLIES FROM EDGE OF METAL WIRE BARREL TO END OF PIN
- 5 SUPERSEDED BY 342126-1
- 6 STAMP AMP 22-16\* APPROX AS SHOWN
- 7 MAX RECOMMENDED OPERATING TEMPERATURE 105°C[221°F]

|                      |           |         |   |            |
|----------------------|-----------|---------|---|------------|
| POLY BAG WITH HEADER | STANDARD  | 100     | 5 | 7-342126-1 |
| PLASTIC BOX          | STANDARD  | 100     | 5 | 6-342126-1 |
| LOOSE PIECE          | STANDARD  | 1000    |   | 342126-1   |
| PACKAGING            | LABELLING | QTY RED |   | PART NO    |

|   |  |                                 |  |                        |
|---|--|---------------------------------|--|------------------------|
| THIS DRAWING IS A CONTROLLED DOCUMENT.  |  | DWN<br>jr ruth<br>07AUG03       | TE Connectivity                          |                        |
| DIMENSIONS:<br>mm [INCHES]  |  | CHK<br>T MICHELUTTI<br>07AUG03  | NAME<br>TERMINAL, WIRE PIN, PLASTI-GRIP, |                        |
| TOLERANCES UNLESS OTHERWISE SPECIFIED:<br>0 PLC ± -<br>1 PLC ± 0.50[.019]<br>2 PLC ± -<br>3 PLC ± -<br>4 PLC ± -<br>ANGLES ± 1° |  | APVD<br>T MICHELUTTI<br>07AUG03 | PRODUCT SPEC<br>-                        |                        |
| MATERIAL<br>-   |  | FINISH<br>-                     | APPLICATION SPEC<br>-                    | RESTRICTED TO<br>-     |
| WEIGHT<br>-   |  | SIZE<br>A2                      | CAGE CODE<br>00779                       | DRAWING NO<br>C=342126 |
| CUSTOMER DRAWING  |  | SCALE<br>5:1                    | SHEET<br>1 of 1                          | REV<br>G2              |

342126

单击下面可查看定价，库存，交付和生命周期等信息

[>>TE Connectivity\(泰科\)](#)