

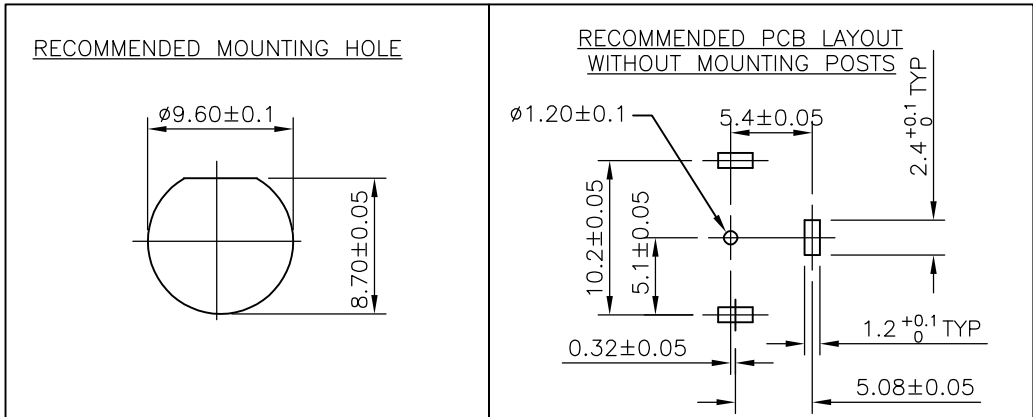
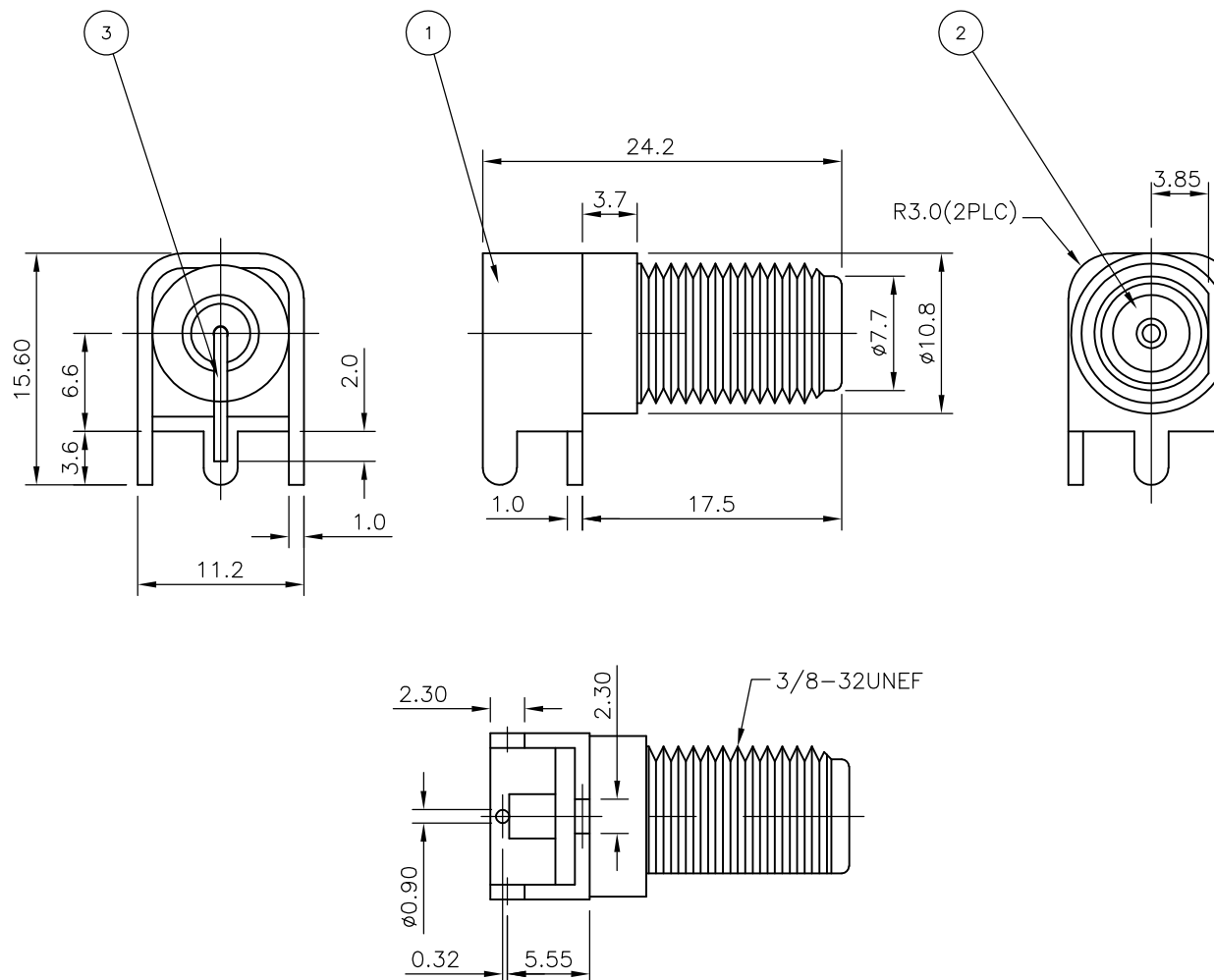
THIS DRAWING IS UNPUBLISHED. RELEASED FOR PUBLICATION JAN , 2007.

© COPYRIGHT 2007 By - ALL RIGHTS RESERVED.

LOC	DIST	REVISIONS					
		P	LTR	DESCRIPTION	DATE	DWN	APVD
E	B		B	REVISED PER ECO-09-003420	16FEB09	ANS	BOB
			C	REVISED PER ECO-11-021675	02NOV11	TITAN	MARTIN

NOTES:

- 1 SINGLE PACK IN ACCORDANCE WITH AMP SPEC 107-3275
- 2 50 TRAY PACK IN ACCORDANCE WITH AMP SPEC 107-3275
- 3 TIN PLATING
- 4 NICKEL PLATING
- 5. FOR TECHNICAL DATA REFER TO YOUR LOCAL TYCO ELECTRONICS SALES OFFICE
- 6. ALL DIMENSIONS ARE NOMINAL FOR REFERENCE ONLY UNLESS OTHERWISE STATED



QTY	UNIT	DESCRIPTION	ITEM
1	1	TPX	INSULATOR 3
1	1	ZINC ALLOY 4	BODY 2
1	1	PHOS BRONZE 3	CONTACT 1
5--1	5--0	MATERIAL	DESCRIPTION

QUANTITY PER ASSY PARTS LIST

THIS DRAWING IS A CONTROLLED DOCUMENT.		DWN ANSON MA 14FEB09	STE TE Connectivity	
DIMENSIONS: mm		CHK RITA ZUO 14FEB09		
TOLERANCES UNLESS OTHERWISE SPECIFIED:		APVD BOB ZHAO 14FEB09	NAME F TYPE ELBOW PCB SOCKET 75 Ohm 24.2	
0 PLC ± -		PRODUCT SPEC 108-112000	SIZE CAGE CODE DRAWING NO RESTRICTED TO	
1 PLC ± -		APPLICATION SPEC N/A	A3 00779 C-1814828	
2 PLC ± -		WEIGHT -	SCALE NTS SHEET 1 OF 1 REV C	
3 PLC ± -		MATERIAL SEE TABLE		
4 PLC ± -		FINISH SEE TABLE		
ANGLES ± -		CUSTOMER DRAWING		

单击下面可查看定价，库存，交付和生命周期等信息

[>>TE Connectivity\(泰科\)](#)