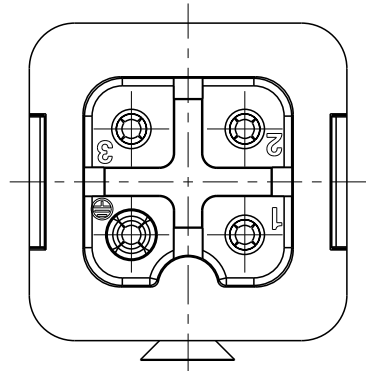
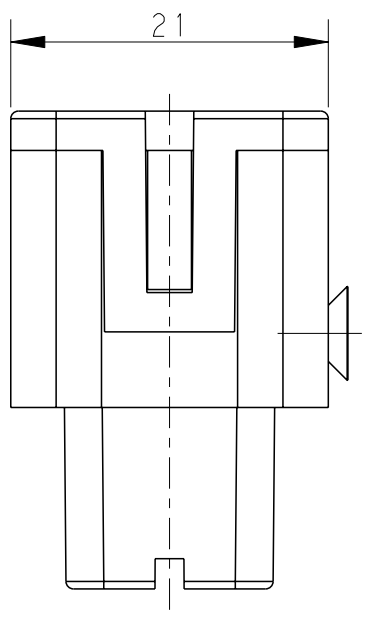
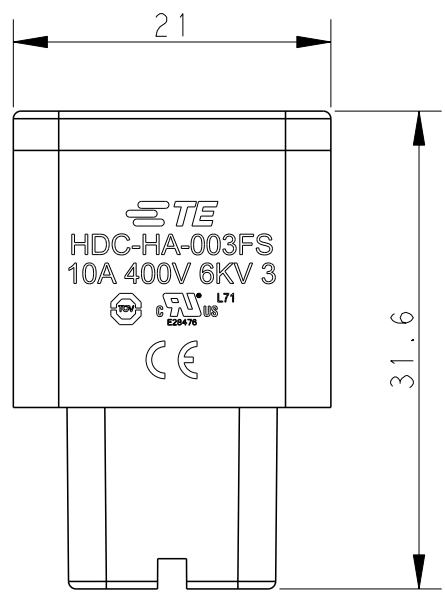
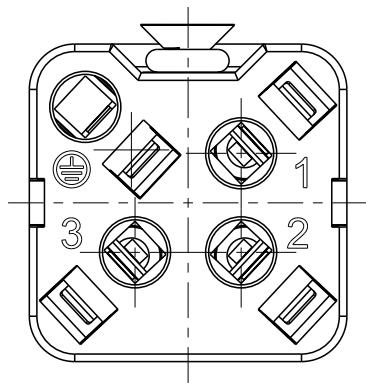
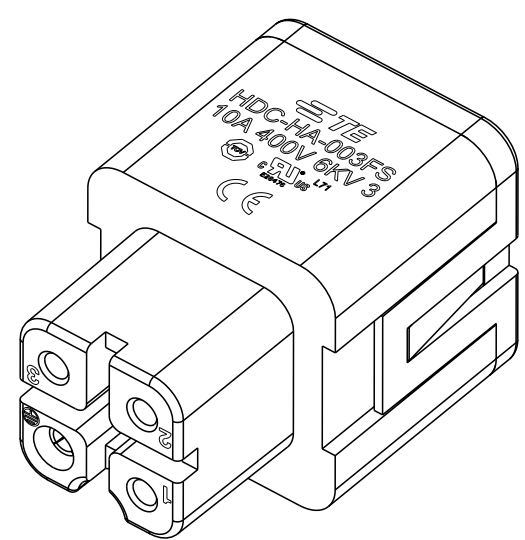


THIS DRAWING IS UNPUBLISHED. RELEASED FOR PUBLICATION 20
 © COPYRIGHT 20 BY - ALL RIGHTS RESERVED.

REVISIONS					
P	LTR	DESCRIPTION	DATE	DWN	APVD
	A	INITIAL	17MAR2015	DW	CW
	B	ECR-15-013750	19SEP2015	DW	CW
	B1	ECR-15-016224	05NOV2015	DW	CW
	C	ECR-20-016101	09JUN2021	BS	CW



NOTES:
 1. TECHNICAL CHARACTERISTICS:
 INSULATION MATERIAL: PC
 RATED VOLTAGE: 400 V
 RATED CURRENT: 10 A
 INSULATION RESISTANCE: $\geq 400M\Omega$
 RATED IMPULSE VOLTAGE: 6 KV
 POLLUTION DEGREE: 3
 FLAMMABILITY: UL94V-0
 MATING CYCLES: 500 CYCLES
 WIRE RANGE: 0.5-2.5 mm² (20-14 AWG)
 CONTACT FINISH: SILVER PLATED
 CONTACT TYPE: SPRING CONTACT

M3 SCREW,
 RECOMMENDED
 TIGHTENING
 TORQUE 0.5Nm

注释:
 1. 技术参数:
 绝缘材料: PC
 额定电压: 400V
 额定电流: 10A
 绝缘电阻: $\geq 400M\Omega$
 额定脉冲电压: 6 KV
 污染等级: 3
 阻燃等级: UL94V-0
 插拔次数: 500 次
 接线范围: 0.5-2.5 mm² (20-14 AWG)
 端子表面处理: 镀银
 接线类型: 弹片压接

printed on 18 Jun 2021 14:58 (China Standard Time) from TE236667

THIS DRAWING IS A CONTROLLED DOCUMENT.		DWN 17MAR2015 DAVID WANG	TE Connectivity		
		CHK 17MAR2015 CHRIS WANG			
		APVD 17MAR2015 XU XIANG	NAME HA-003-FS		
DIMENSIONS: mm		PRODUCT SPEC 108-137045	RESTRICTED TO		
TOLERANCES UNLESS OTHERWISE SPECIFIED: 0 PLC ±- 1 PLC ±- 2 PLC ±- 3 PLC ±- 4 PLC ±- ANGLES ±-		APPLICATION SPEC 114-137045	SIZE A3	CAGE CODE 00779	DRAWING NO T2010033201000
MATERIAL -		FINISH -	SCALE 2:1		
		WEIGHT -	SHEET 1 OF 1		
		Customer Drawing	REV C		

单击下面可查看定价，库存，交付和生命周期等信息

[>>TE Connectivity\(泰科\)](#)