

4

3

2

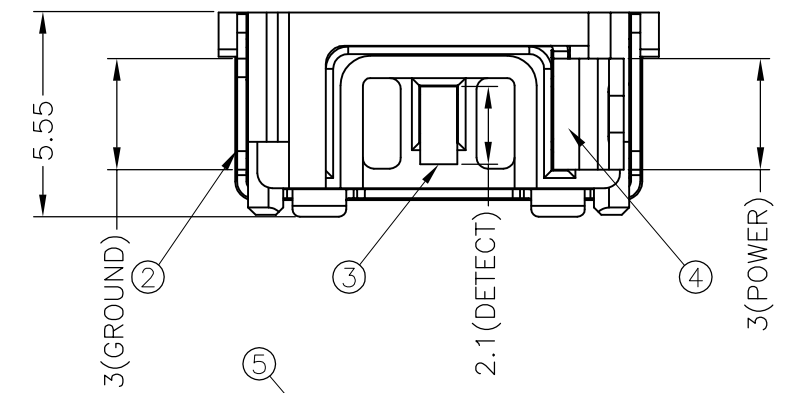
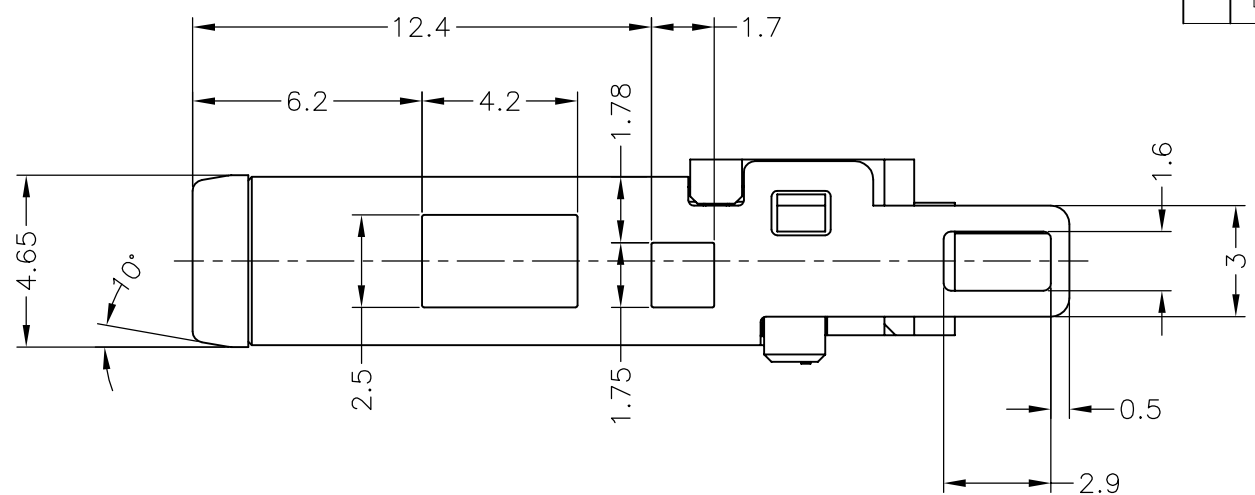
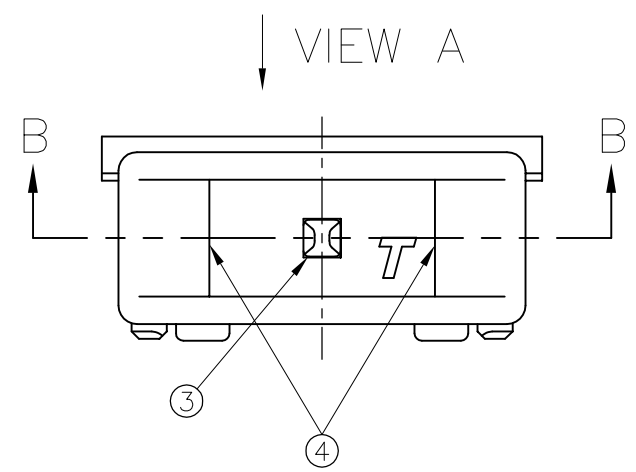
1

THIS DRAWING IS UNPUBLISHED. RELEASED FOR PUBLICATION
 © COPYRIGHT - By - ALL RIGHTS RESERVED.

LOC	DIST	REVISIONS					
DW		P	LTR	DESCRIPTION	DATE	DW	
		B5		ECR-19-010885	21AUG15	J.Z	J.L

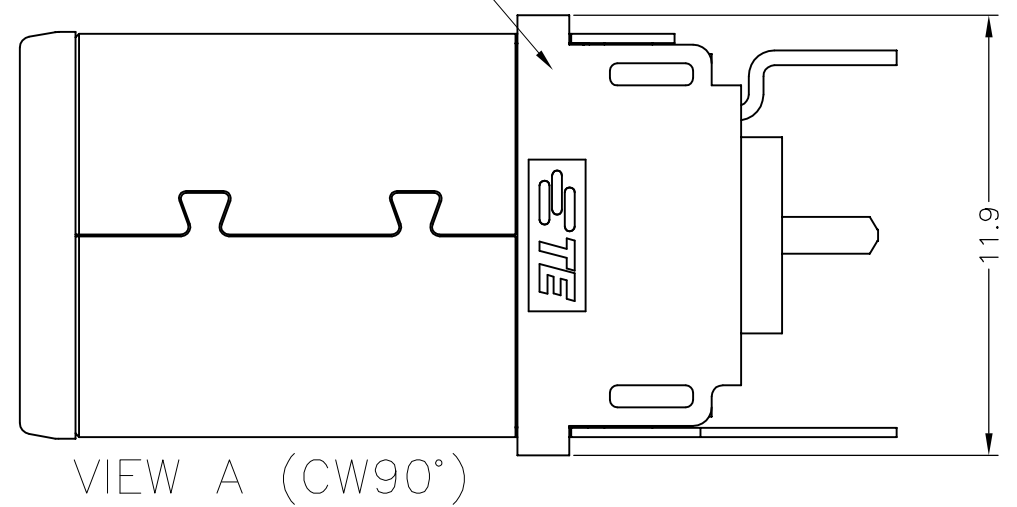
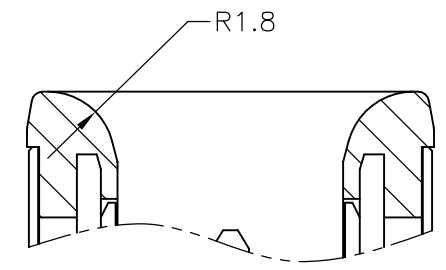
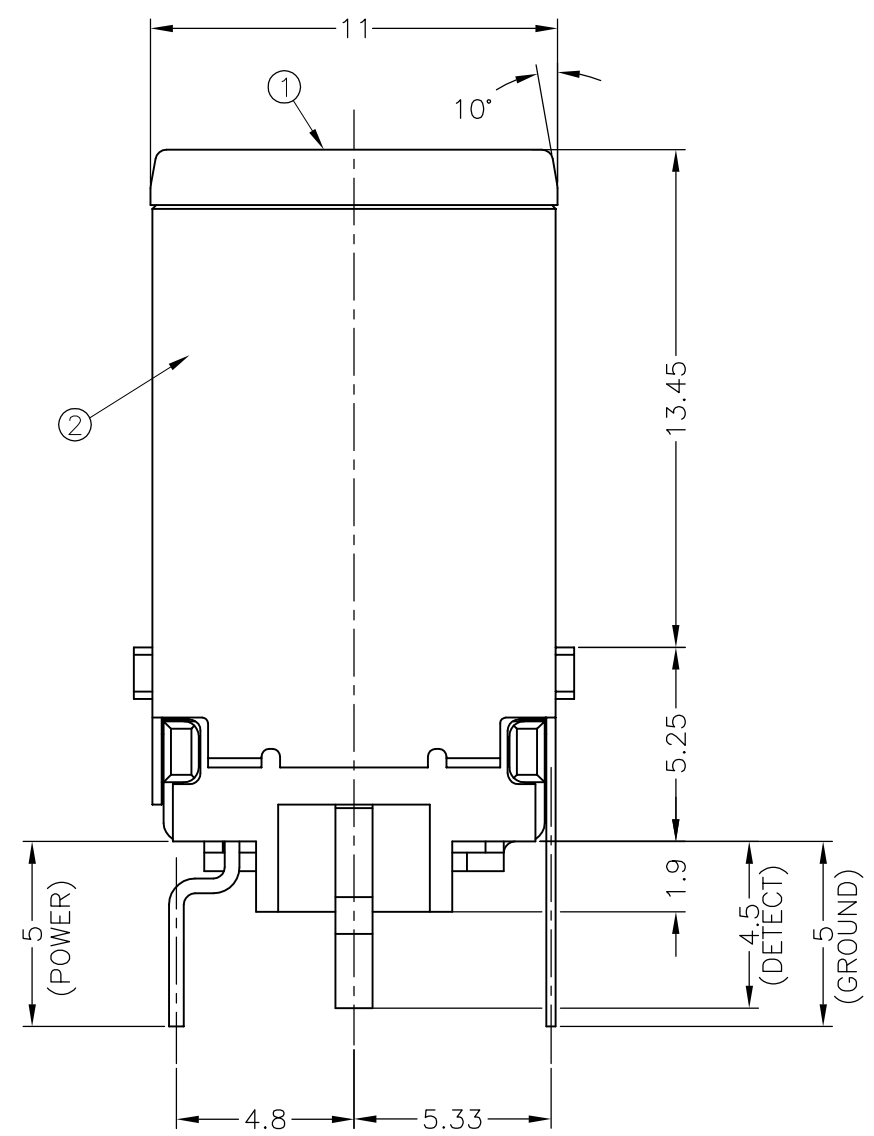
D

D



C

C



B-B

A'SSY P/N		FINISH/COLOR		MATERIAL	PART NAME	NO
1-2129334-2	1-2129334-1	1	NATURAL	THERMOPLASTIC (UL94V-0)	REAR HOUSING	⑤
OBsolete	1	1	0.0002mm GOLD PLATING ON CONTACT AREA, 0.002mm MATTE TIN PLATING ON SOLDER AREA, 0.002mm MIN. NICKEL UNDERPLATED ALL OVER	COPPER ALLOY	POWER CONTACT	④
OBsolete	1	1	0.0002mm GOLD PLATING ON CONTACT AREA, 0.002mm MATTE TIN PLATING ON SOLDER AREA, 0.002mm MIN. NICKEL UNDERPLATED ALL OVER	COPPER ALLOY	DETECT CONTACT	③
OBsolete	1	1	0.002mm MATTE TIN PLATING ON SOLDER AREA, 0.002mm MIN. NICKEL UNDERPLATED ALL OVER	COPPER ALLOY	GROUND CONTACT	②
1	-	1	BLACK	THERMOPLASTIC (UL94V-0)	HOUSING	①
-	1	1	YELLOW	THERMOPLASTIC (UL94V-0)		
Q'TY						

B

B

THIS DRAWING IS A CONTROLLED DOCUMENT.

DWN	S.HUANG	24FEB2012
CHK	V.PENG	24FEB2012
APVD	W.KODAMA	24FEB2012



DIMENSIONS: mm
 TOLERANCES UNLESS OTHERWISE SPECIFIED:

0 PLC	±	±0.25
1 PLC	±	
2 PLC	±	
3 PLC	±	
4 PLC	±	±3°
ANGLES	±	
FINISH	±	

MATERIAL: SEE TABLE

PRODUCT SPEC	
APPLICATION SPEC	
WEIGHT	

NAME: DC POWER PLUG CONNECTOR			
SIZE	CAGE CODE	DRAWING NO	RESTRICTED TO
A3	00779	C-2129334	

A

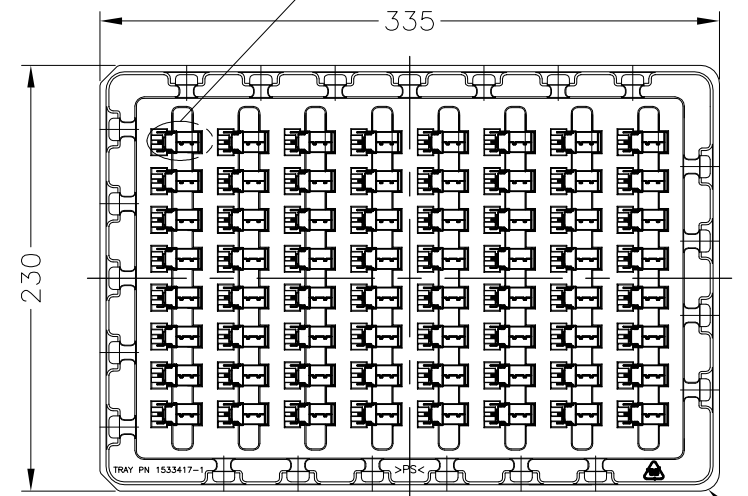
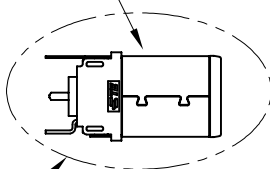
A

CUSTOMER DRAWING SCALE: 5:1 SHEET: 1 of 2 REV: B5

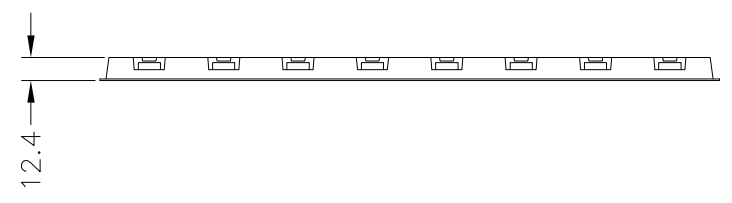
ING IS UNPUBLISHED. RELEASED FOR PUBLICATION
 GHT - By - ALL RIGHTS RESERVED.

LOC	DIST	REVISIONS		
DW		P	LTR	DESCRIPTION
		-	-	SEE SHEET 1
		DATE		
		-	-	-

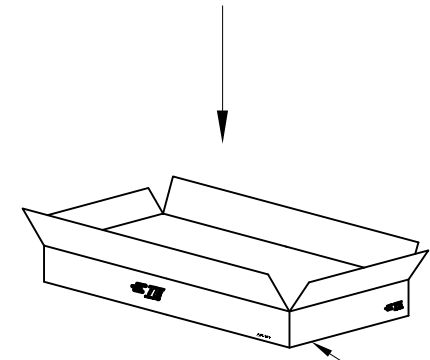
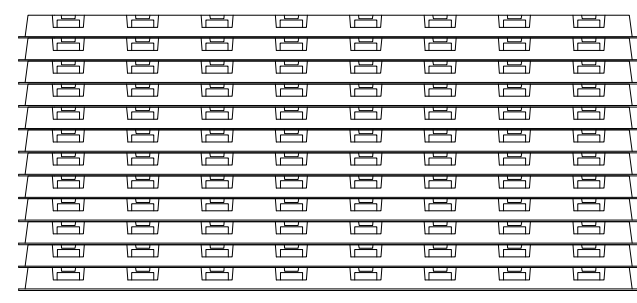
DC POWER PLUG CONNECTOR
 TE P/N: 1-2129334-1
 OR 1-2129334-2



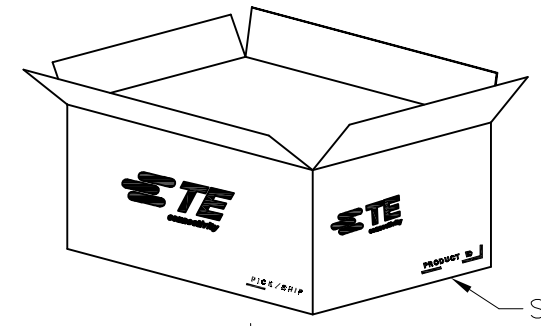
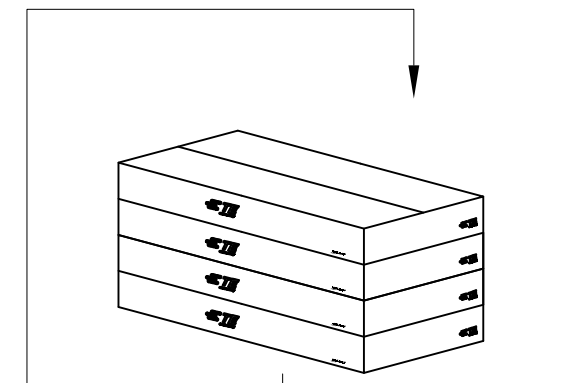
TRAY



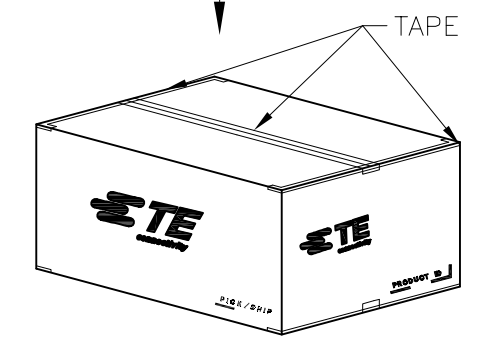
- INNER BOX DIMENSION: 340mmX243mmX111mm
 - SHIPPING BOX DIMENSION: 505mmX350mmX248mm
 - EU ROHS-RELATED RESTRICTED SUBSTANCE SPEC IN HOMOGENEOUS MATERIAL REFER TO TEC-138-702 REV.G:
 LEAD < 1000PPM, CADMIUM < 100PPM, MERCURY < 1000PPM
 CHROMIUM VI < 1000PPM, PBB <1000PPM, PBDE < 1000PPM
 - HALOGEN FREE SPEC:
 CHLORINE (Cl): 900 ppm MAX.
 BROMINE (Br): 900 ppm MAX.
 CHLORINE (Cl) + BROMINE (Br): 1500 ppm MAX.
- △ PRODUCT SPEC:
 108-99035 FOR 7A CURRENT RATING.
 108-99040 FOR 10.7A CURRENT RATING.



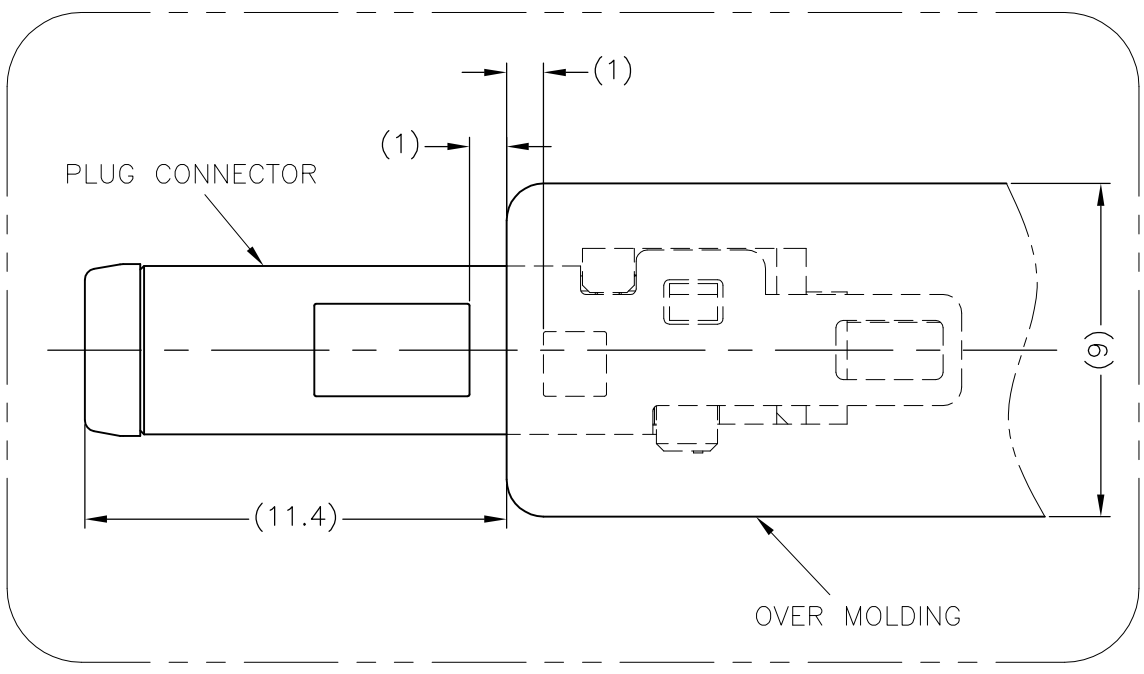
INNER BOX



SHIPPING BOX



TAPE



64	768	4	3072
PCS/TRAY	PCS/INNER BOX	INNER BOX/SHIPPING BOX	TOTAL Q'TY

THIS DRAWING IS A CONTROLLED DOCUMENT.		DWN	-
DIMENSIONS: mm		CHK	-
TOLERANCES UNLESS OTHERWISE SPECIFIED:		APVD	-
0 PLC	± -	PRODUCT SPEC	-
1 PLC	± -	APPLICATION SPEC	-
2 PLC	± -	WEIGHT	-
3 PLC	± -		
4 PLC	± -		
ANGLES	± -		
MATERIAL	FINISH		

STE TE Connectivity

NAME: DC POWER PLUG CONNECTOR

SIZE	CAGE CODE	DRAWING NO	RESTRICTED TO
A3	00779	C-2129334	-

CUSTOMER DRAWING

SCALE	SHEET	REV
NA	2 of 2	B5

单击下面可查看定价，库存，交付和生命周期等信息

[>>TE Connectivity\(泰科\)](#)