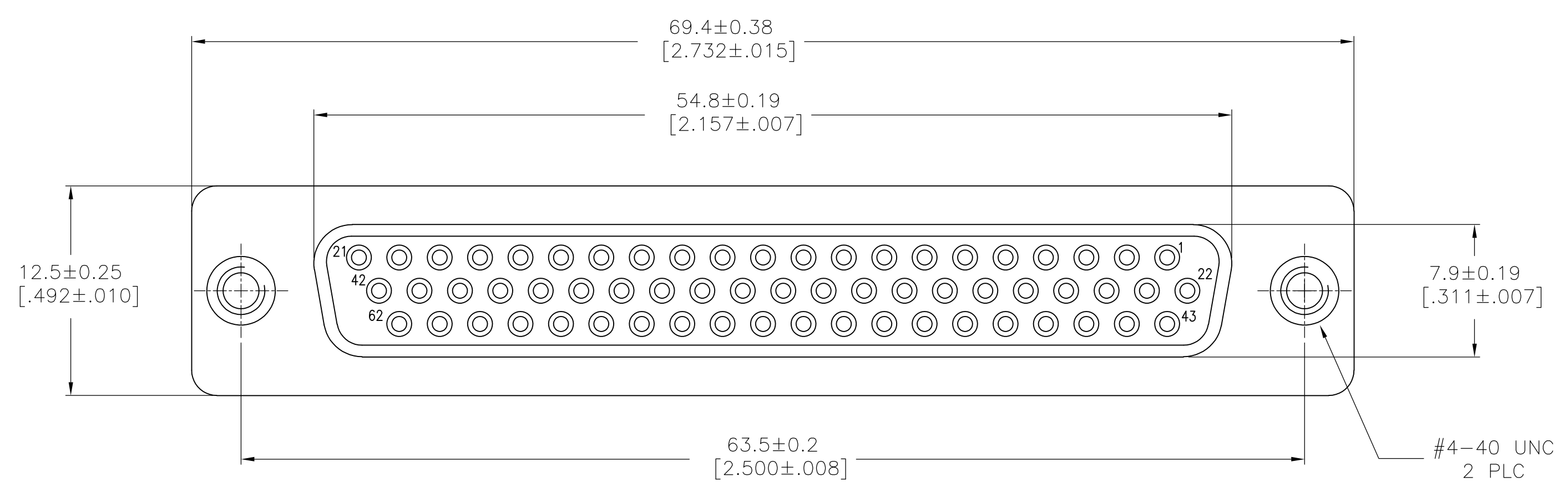
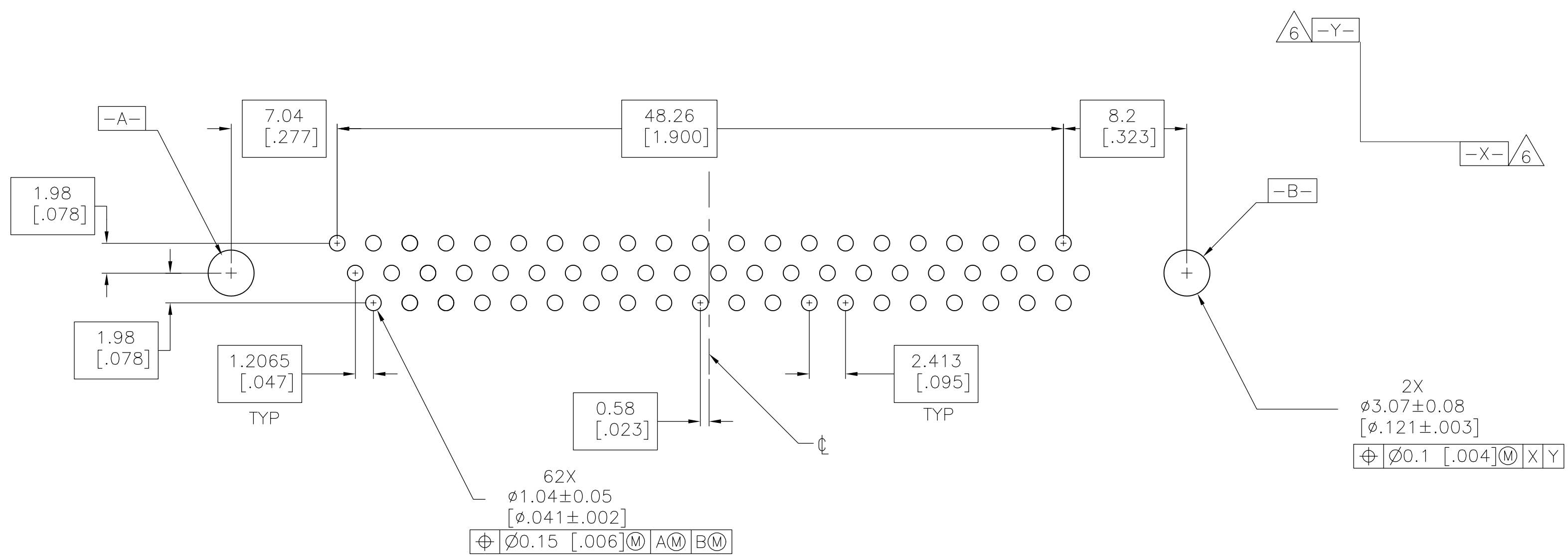
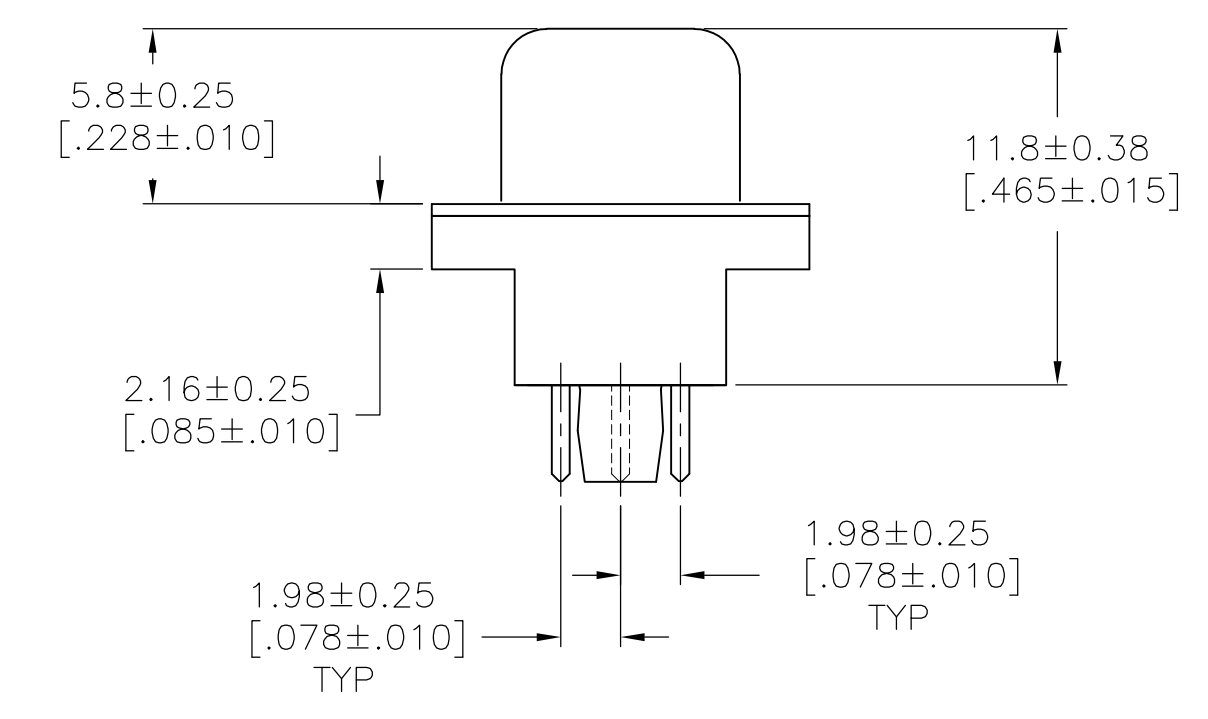
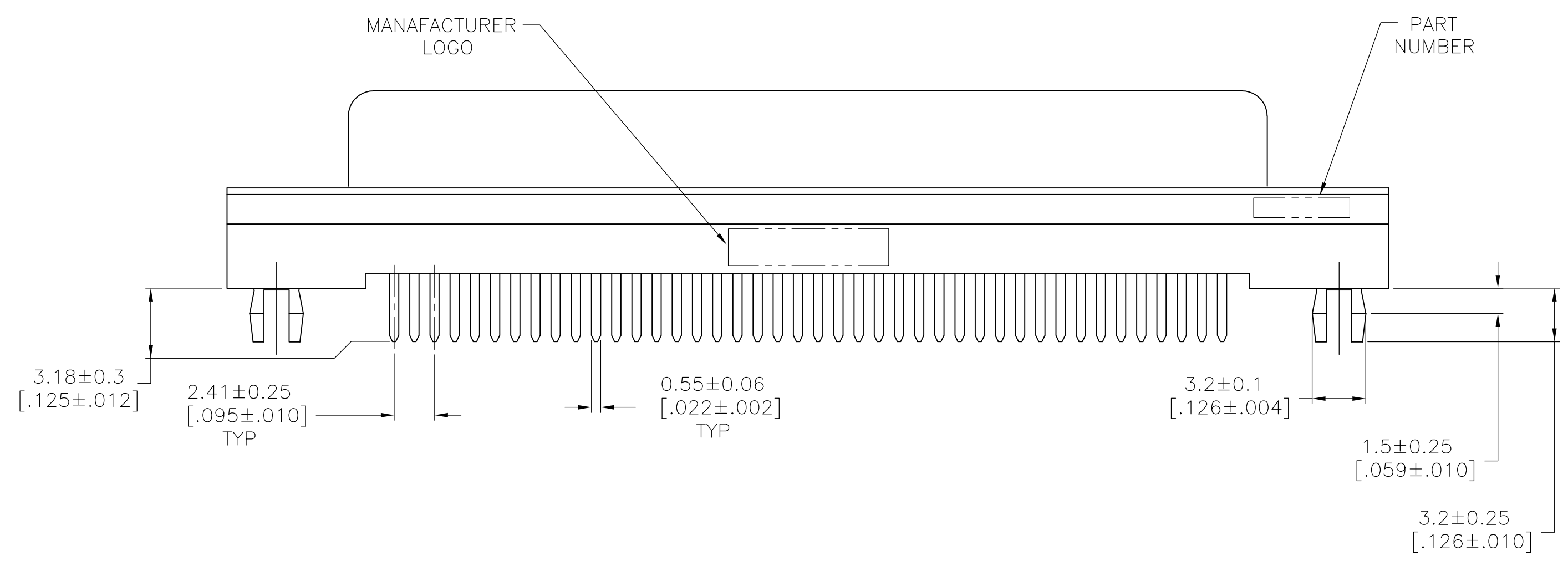


LOC		DIST		REVISIONS			
IF	LTR	DESCRIPTION	DATE	DRN	APVD		
A		RELEASED PER ECO-08-023091	16SEP08	JDP	SLB		



- HOUSING MATERIAL: PBT, GLASS FILLED, BLACK, UL 94V-0 RATED.
  - CONTACT MATERIAL: PHOSPHOR BRONZE.
  - CONTACT FINISH: GOLD PLATE IN MATING AREA (SEE TABLE), 0.00305 [ $120\mu$ ] MIN TIN PLATE ON SOLDER TAIL, BOTH OVER 0.00127 [ $50\mu$ ] MIN NICKEL UNDERPLATE.
  - SHELL: STEEL, NICKEL PLATE.
  - THREADED INSERT/BOARDLOCK: BRASS, 0.00254 [ $100\mu$ ] MIN TIN PLATE.
- △ DATUMS -X- AND -Y- TO BE ESTABLISHED BY CUSTOMER.



0.00076 [ $30\mu$ ] MIN	2057140-1
CONTACT MATING AREA FINISH	PART NUMBER

THIS DRAWING IS A CONTROLLED DOCUMENT.		DWN: J. POLIGNONE 11JUL08	Tyco Electronics Corporation Harrisburg, PA 17105-3608	
DIMENSIONS: mm [INCHES]		CHK: S. BOLASH 11JUL08	NAME: RCPT ASSY, SIZE 4, 62 POSN, VERTICAL, FRONT METAL SHELL, AMPLIMITE HD-22	
TOLERANCES UNLESS OTHERWISE SPECIFIED:		APP'D: S. BOLASH 11JUL08	PRODUCT SPEC: 108-1092	
0 PLC ± -	1 PLC ± -	APPLICATION SPEC: 114-13199		
2 PLC ± -	3 PLC ± -	SIZE: A1		
4 PLC ± -	ANGLES ± -	CAGE CODE: 00779		
FINISH: -		DRAWING NO: 2057140		
MATERIAL: -		RESTRICTED TO: -		
CUSTOMER DRAWING		SCALE: 4:1		
		SHEET 1 OF 1		
		REV A		

单击下面可查看定价，库存，交付和生命周期等信息

[>>TE Connectivity\(泰科\)](#)