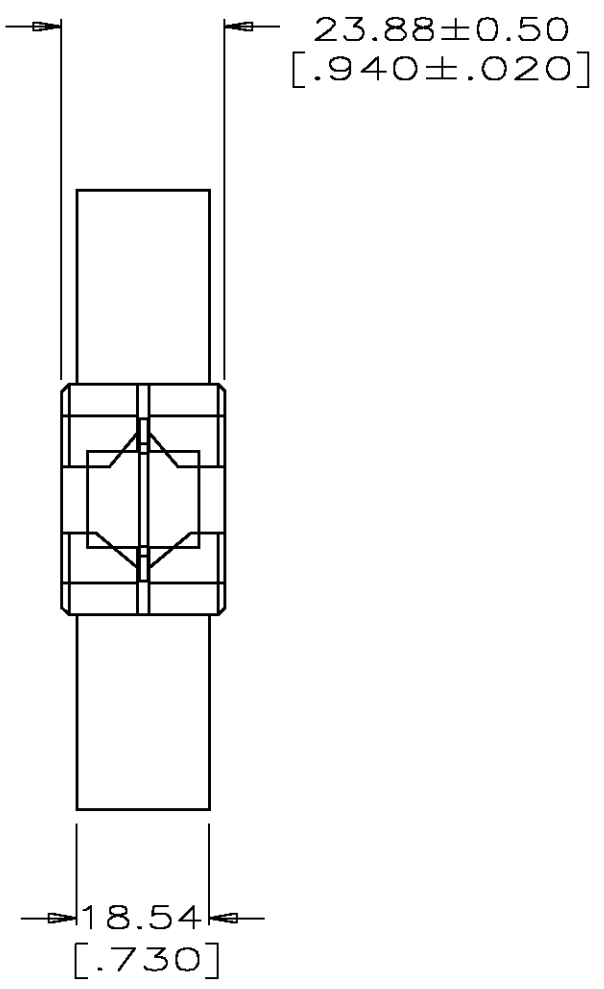
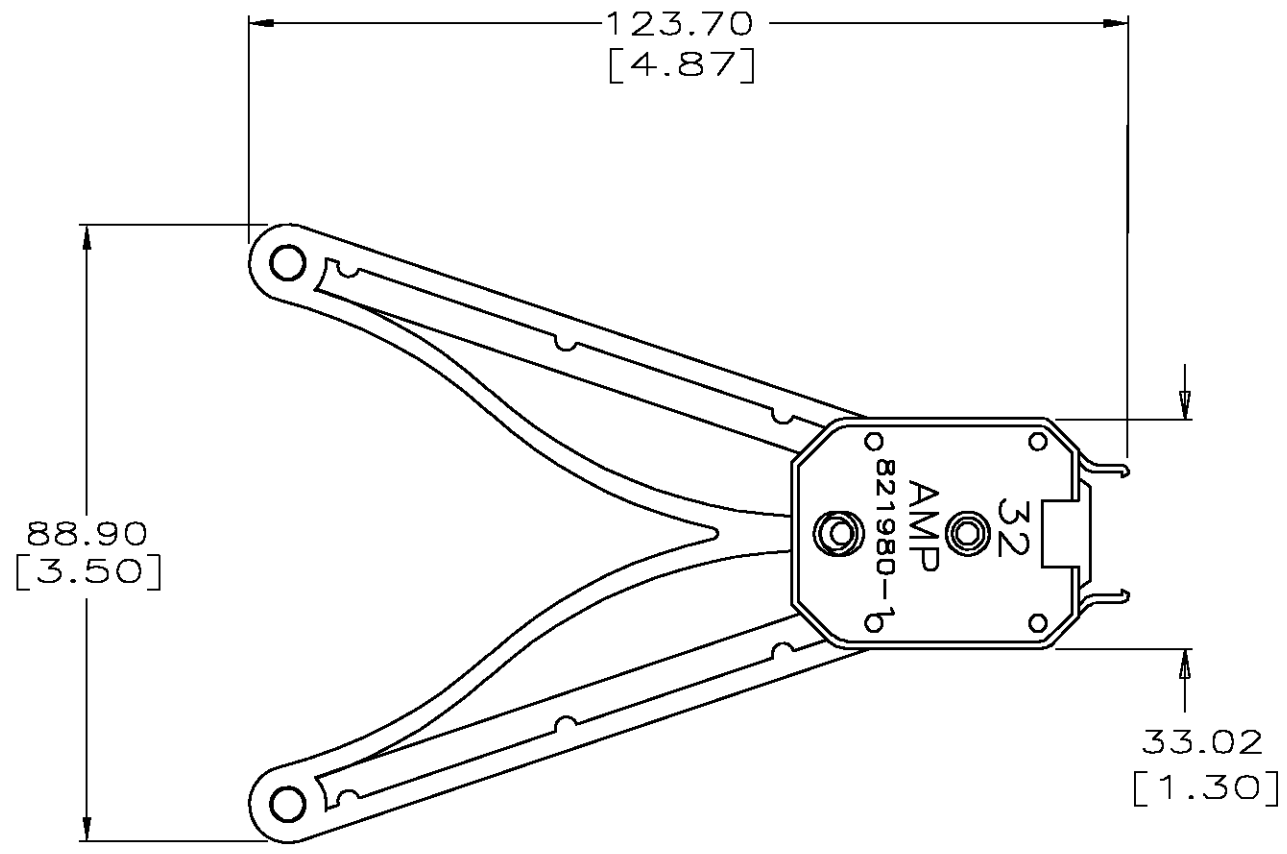


THIS DRAWING IS UNPUBLISHED. RELEASED FOR PUBLICATION
 © COPYRIGHT BY TYCO ELECTRONICS CORPORATION. ALL RIGHTS RESERVED.

LOC	DIST	REVISIONS			
P	LTR	DESCRIPTION	DATE	DWN	APVD
AD	00	C	REV PER EC 0G3C-0655-04	01NOV04	MB DR



821980-1 SHOWN

THIS DRAWING IS A CONTROLLED DOCUMENT.		DWN C.WHITT 8-1-91	Tyco Electronics Corporation Harrisburg, Pa 17105-3608	
DIMENSIONS: mm [INCHES]		CHK R.MILLER 8-1-91	APVD K.KREIDLER 8-1-91	
TOLERANCES UNLESS OTHERWISE SPECIFIED: 0 PLC ± - 1 PLC ± - 2 PLC ± 0.2 [.01] 3 PLC ± 0.25 [.010] 4 PLC ± - ANGLES ± -		PRODUCT SPEC -	NAME TOOL, EXTRACTION, PLCC, 32 POSN.	
MATERIAL HANDLE- POLYACETAL END CAPS- POLYACETAL HOOK- STAINLESS STEEL 1.07±0.08 [.042±.003] THK		APPLICATION SPEC -	SIZE A3	CAGE CODE 00779
FINISH HANDLE- COLOR, BLUE END CAPS- COLOR, BLUE		WEIGHT -	DRAWING NO C=821980	RESTRICTED TO -
CUSTOMER DRAWING			SCALE 1:1	SHEET 1 OF 0
			REV C	

单击下面可查看定价，库存，交付和生命周期等信息

[>>TE Connectivity\(泰科\)](#)