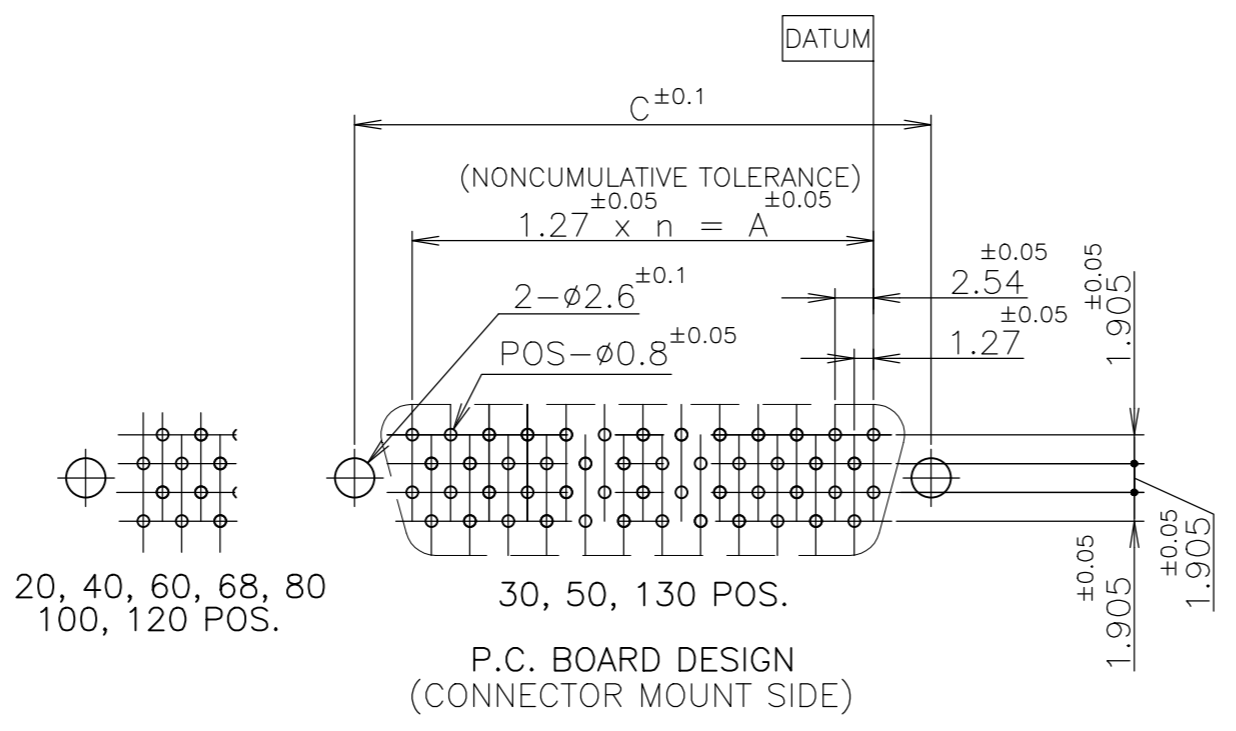
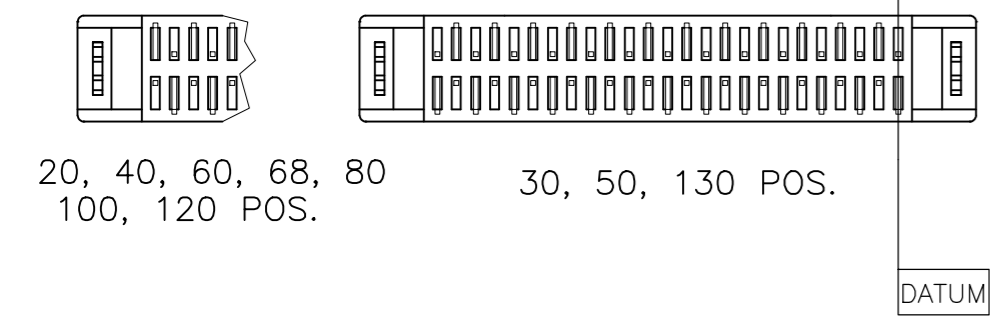
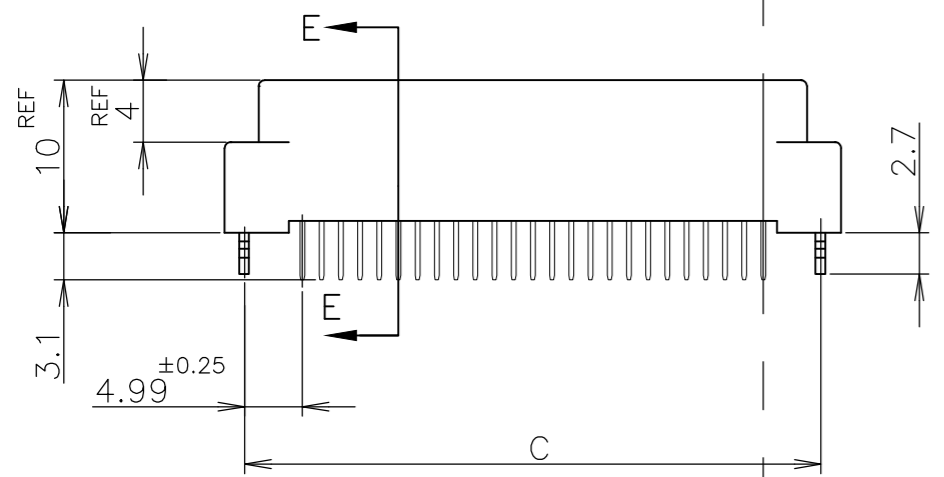
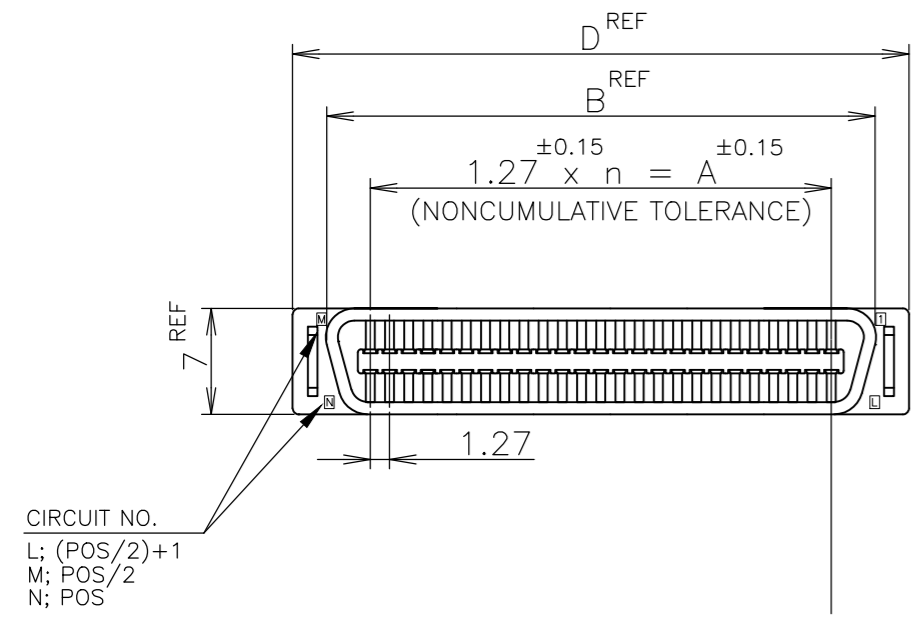
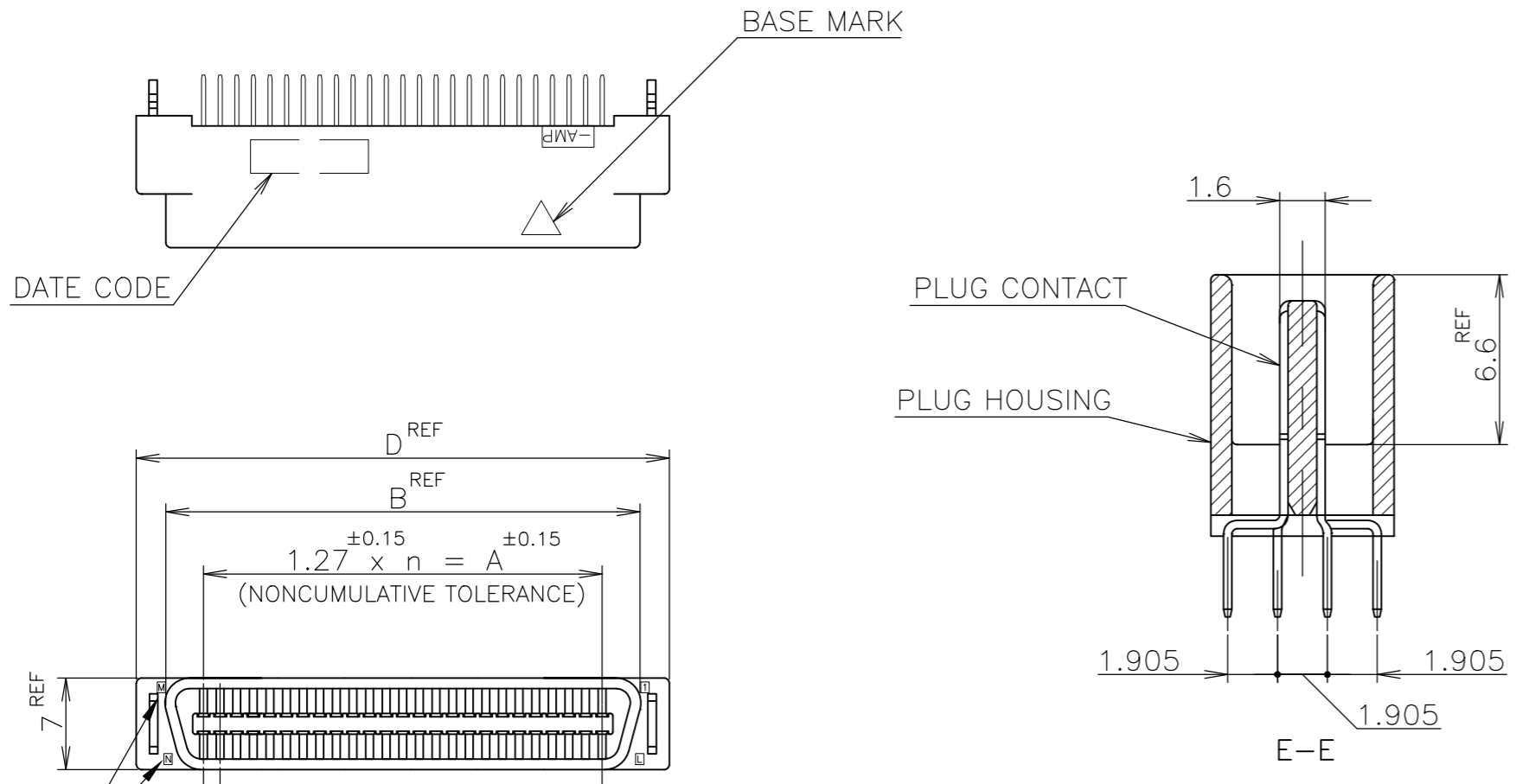


REVISIONS					
P	LTR	DESCRIPTION	DATE	DWN	APVD
C		REVISED PER ECO-17-008763	22JAN2018	RG	SH

- 1 NUMBER "n" S COUNTED FROM DATUM (CIRCUIT NO.1 IS "AMP" MARK SIDE.)
- 2 MATERIAL: HOUSING; 66 NYLON (GF) UL 94V-0, BLACK.
: CONTACT; PHOSPHOR BRONZE.
: RETENTION LEG; BRASS.
- 3 FINISH: CONTACT; Au AT CONTACT AREA (SEE TABLE),
TIN AT TINE OVER Ni.
RETENTION LEG; TIN UNDER Ni.



POS.	n	A	B	C	D
6-	-2	130	64	81.28	89.62
6-	-1	120	59	74.93	83.27
6-	-0	100	49	62.23	70.57
5-	-9	80	39	49.53	57.87
5-	-8	68	33	41.91	50.25
5-	-7	60	29	36.83	45.17
5-	-6	50	24	30.48	38.82
5-	-5	40	19	24.13	32.47
OBSOLETE	5-	30	14	17.78	26.12
5-	-3	30	14	17.78	26.12
5-	-1	20	9	11.43	19.77
OBSOLETE	4-	130	64	81.28	89.62
OBSOLETE	4-	120	59	74.93	83.27
4-	-2	130	64	81.28	89.62
4-	-1	120	59	74.93	83.27
4-	-0	100	49	62.23	70.57
3-	-9	80	39	49.53	57.87
3-	-8	68	33	41.91	50.25
3-	-7	60	29	36.83	45.17
OBSOLETE	3-	50	24	30.48	38.82
3-	-6	40	19	24.13	32.47
3-	-5	40	19	24.13	32.47
3-	-3	30	14	17.78	26.12
3-	-1	20	9	11.43	19.77
OBSOLETE	1-	130	64	81.28	89.62
1-	-2	130	64	81.28	89.62
1-	-1	120	59	74.93	83.27
1-	-0	100	49	62.23	70.57
OBSOLETE	1-	80	39	49.53	57.87
1-	-9	80	39	49.53	57.87
1-	-8	68	33	41.91	50.25
1-	-7	60	29	36.83	45.17
1-	-6	50	24	30.48	38.82
1-	-5	40	19	24.13	32.47
1-	-3	30	14	17.78	26.12
5175473-1	0.0002	20	9	11.43	19.77

LEAD FREE

GENERAL TOLERANCE	
10 ≥	±0.2
30 ≥ > 10	±0.25
100 ≥ > 30	±0.3
ANGLES: ±3°	

THIS DRAWING IS A CONTROLLED DOCUMENT.

DWN: Julyee Zhu 19AUG2004	CHK: Steven Yao 19AUG2004	APVD: Ikuo Enomoto 19AUG2004	NAME: AMP CHAMP .050 CONNECTOR (B-T-B) PLUG CONNECTOR (VERTICAL WITH RETENTION LEG)
DIMENSIONS: mm			SIZE: A2
TOLERANCES UNLESS OTHERWISE SPECIFIED:			CAGE CODE: 00779
0 PLC ±			DRAWING NO: C=5175473
1 PLC ±			RESTRICTED TO:
2 PLC ±			SCALE: NTS
3 PLC ±			SHEET: 1 of 1
4 PLC ±			REV: C
ANGLES ±			
FINISH: 3			
MATERIAL: 2			
WEIGHT: 0.000000			
CUSTOMER DRAWING			

TE Connectivity Ltd.

单击下面可查看定价，库存，交付和生命周期等信息

[>>TE Connectivity\(泰科\)](#)