

THIS DRAWING IS UNPUBLISHED.

RELEASED FOR PUBLICATION

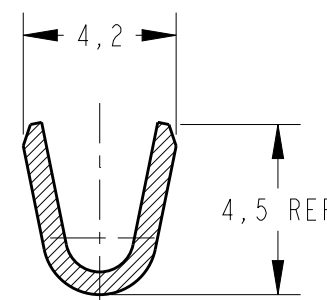
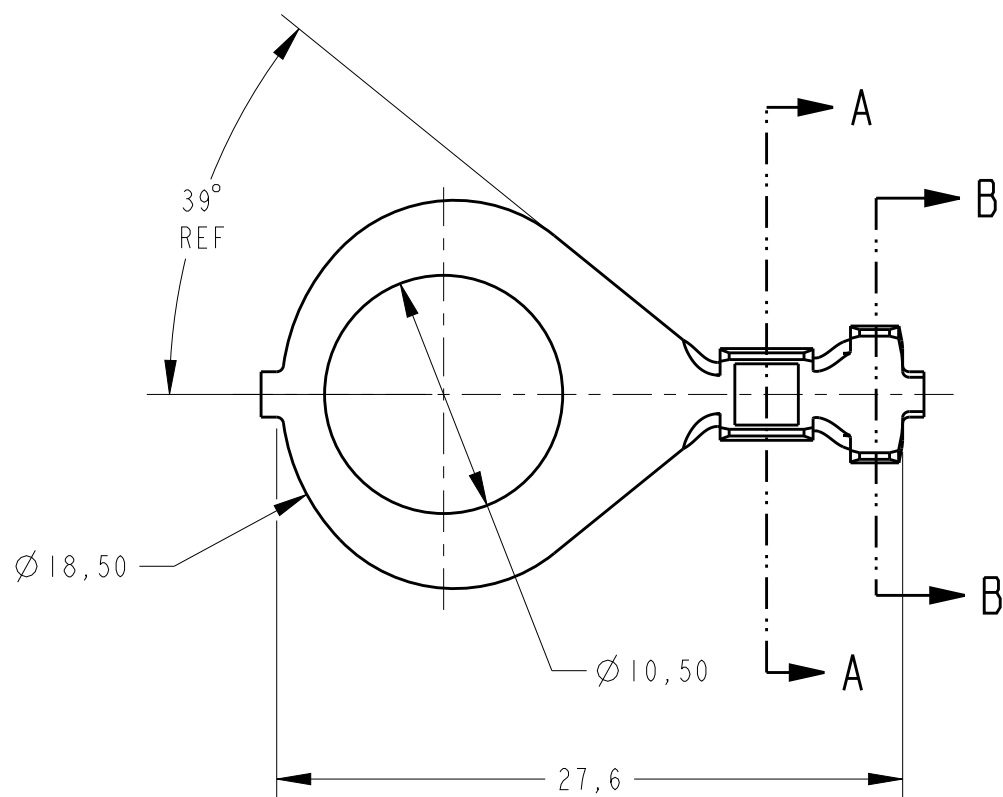
20

© COPYRIGHT 20 BY -

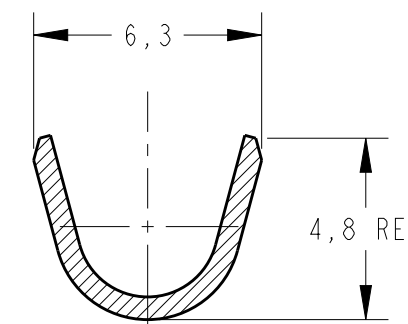
ALL RIGHTS RESERVED.

REVISIONS

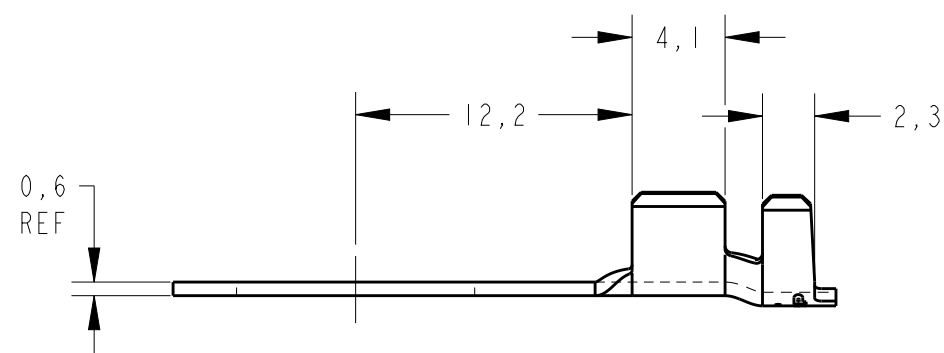
P	LTR	DESCRIPTION	DATE	DWN	APVD
	D2	REDRAW BY CAD ECO-14-008287	17JUN2014	NCL	LWP



SECTION A - A  
SCALE 5:1



SECTION B - B  
SCALE 5:1




⚠ - OBSOLETE PARTS: OBSOLETE CIS STREAMLINING PER D.RENAUD/D.SINISI

ESTANHADO	LATÃO / BRASS	880551 - 2
—	LATÃO / BRASS	880551 - 1
FINISH	MATERIAL	PART NO



PERSPECTIVE VIEW  
SCALE 2:1

THIS DRAWING IS A CONTROLLED DOCUMENT.		DWN NCLAPRESA 17JUN2014	 TE Connectivity		
DIMENSIONS: mm		CHK FCFORTUNATO 17JUN2014			
TOLERANCES UNLESS OTHERWISE SPECIFIED: mm		APVD LWPRADO 17JUN2014	NAME RING TONGUE		
0 PLC ±- 1 PLC ±0,2 2 PLC ±- 3 PLC ±- 4 PLC ±0,000J ANGLES ±1		PRODUCT SPEC -	RESTRICTED TO -		
MATERIAL TBD		APPLICATION SPEC -	SIZE A3	CAGE CODE -	DRAWING NO C-880551
FINISH -		WEIGHT -	Customer Drawing		SCALE 3:1
		SHEET 1 OF 1		REV D2	

单击下面可查看定价，库存，交付和生命周期等信息

[>>TE Connectivity\(泰科\)](#)