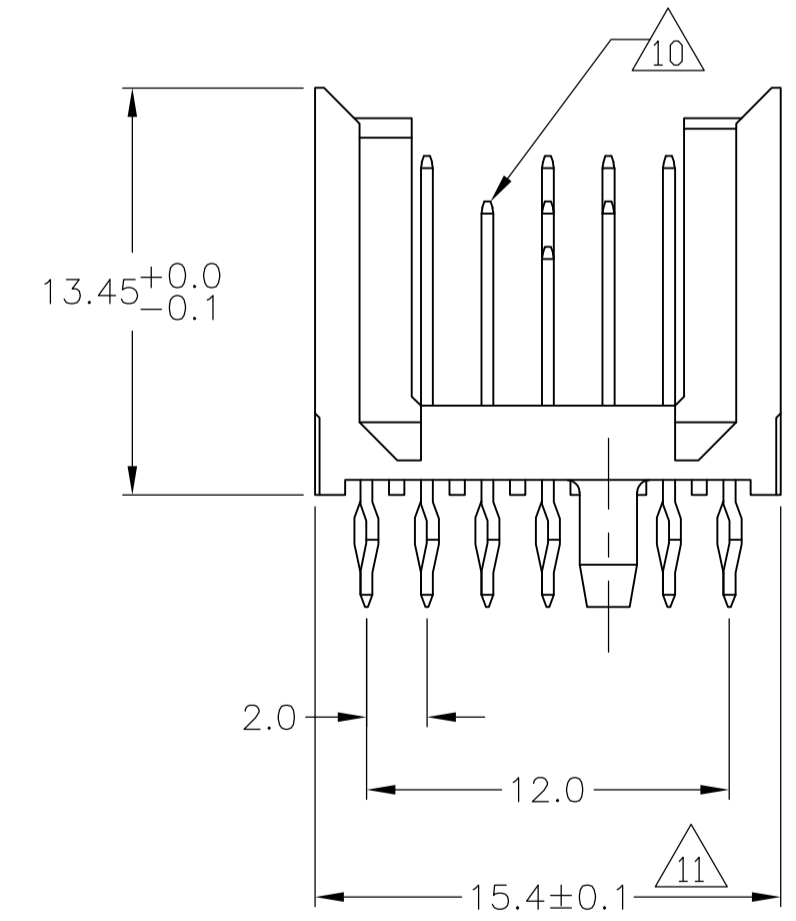
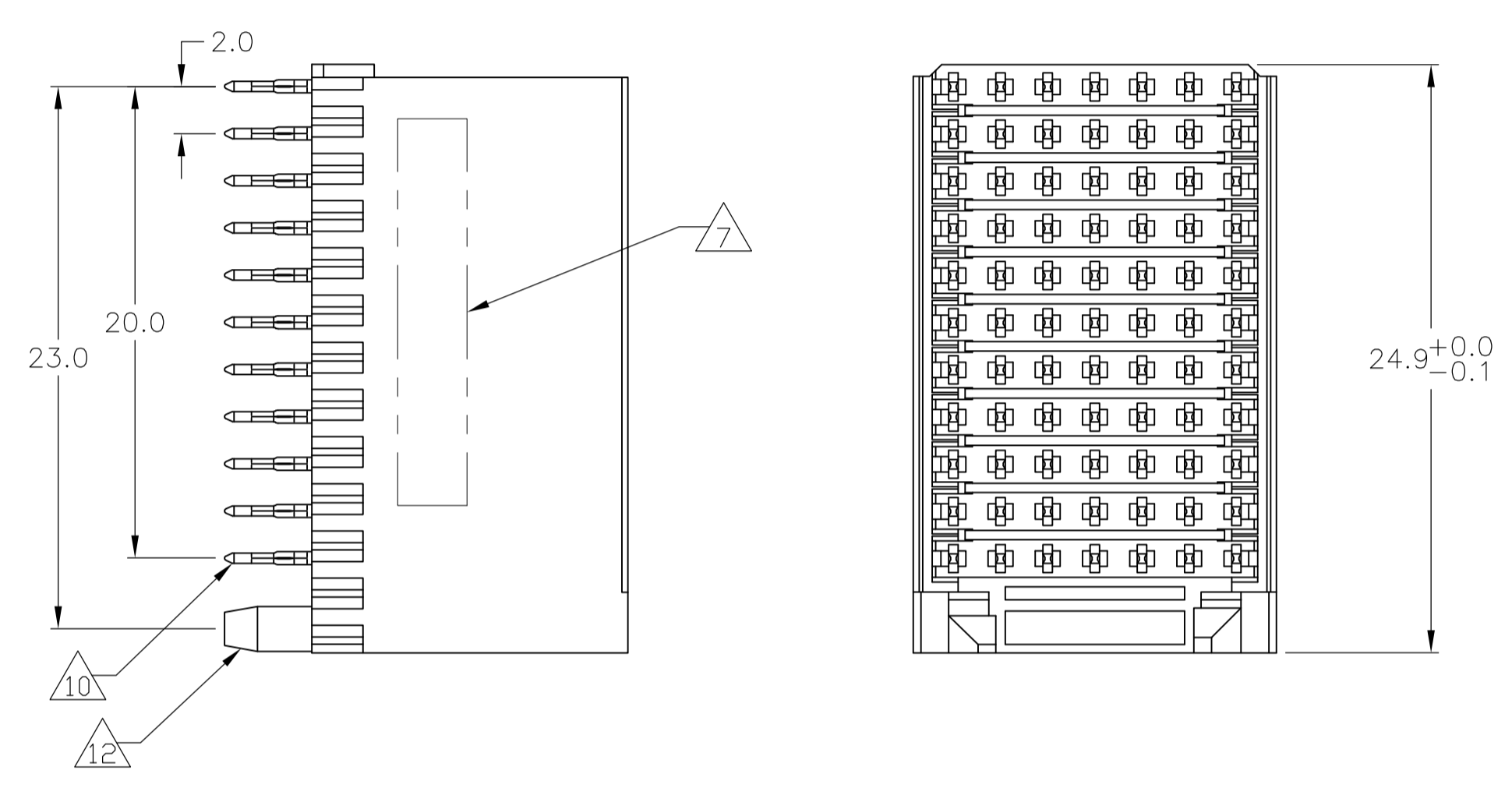
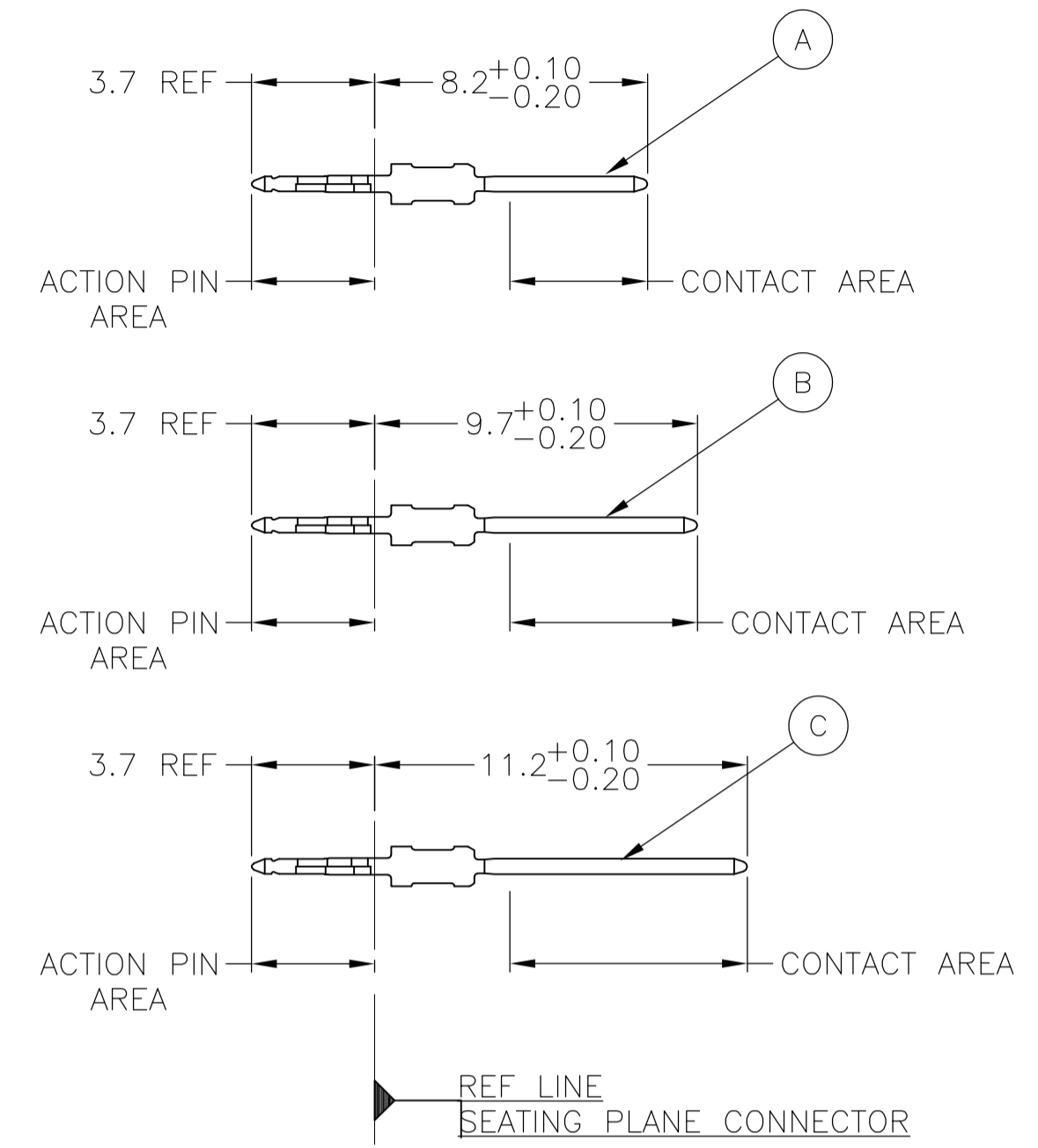


LOC		DIST		REVISIONS			
AD	00	REV	DATE	BY	CHKD	APVD	
		0	RELEASED	10NOV05	BC	GS	
		A	ECR-10-019054	15SEP10	DP	MQW	

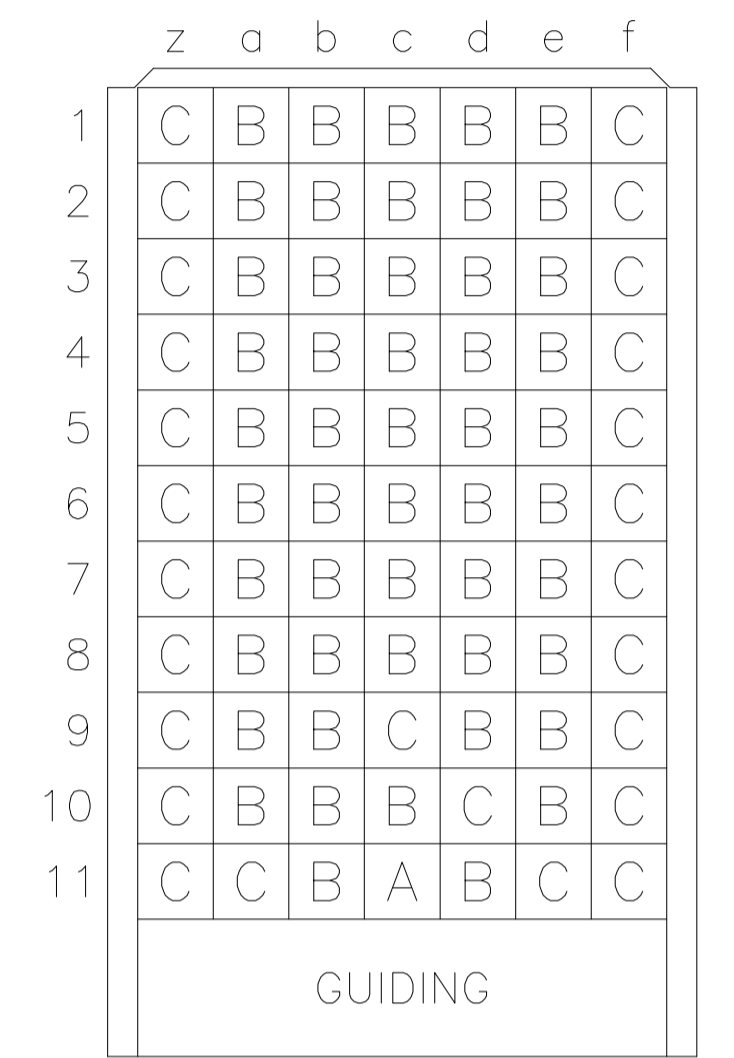
CONNECTOR ASSEMBLY EXAMPLARY LOADED



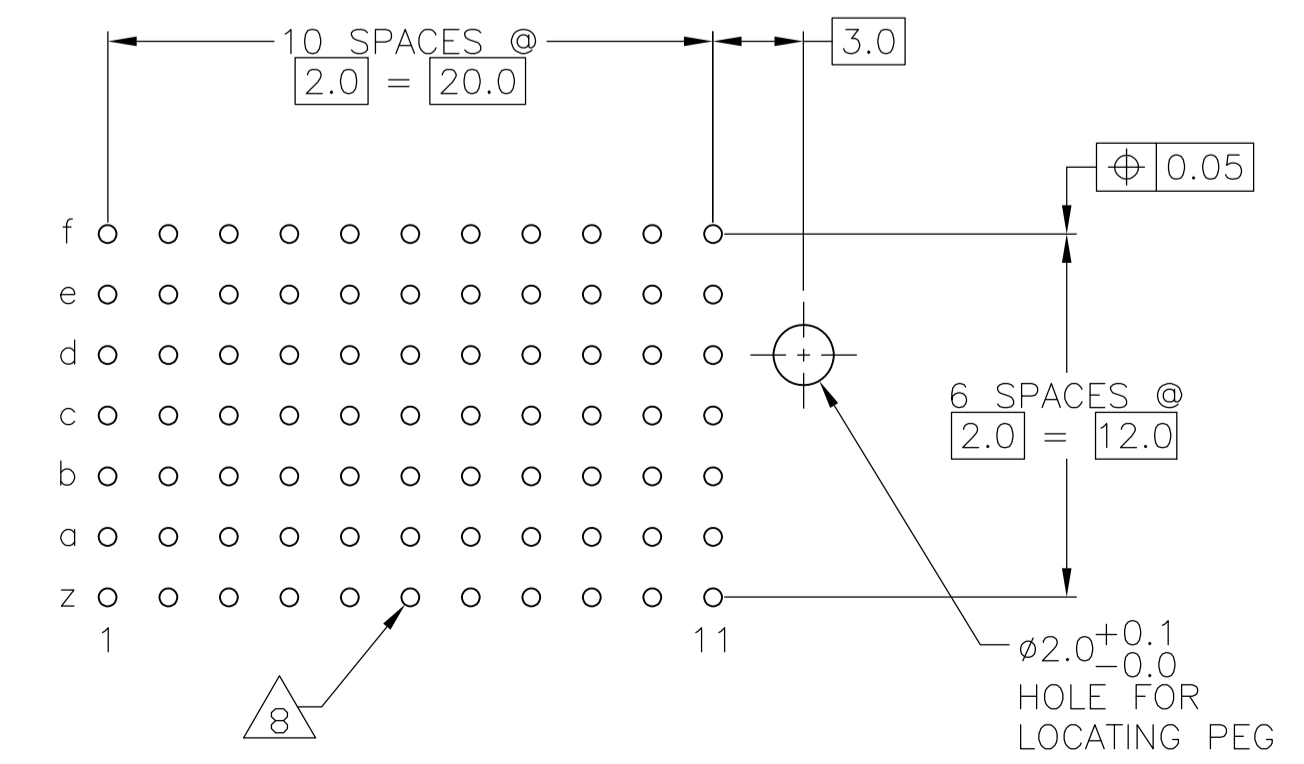
CONTACT DIMENSIONS SCALE 5:1



CONTACT LAYOUT



RECOMMENDED PCB-HOLE LAYOUT COMPONENT SIDE SHOWN



PLATED THRU HOLES PARAMETERS REFERENCE APPLICATION SPECIFICATION

2 3	6392174-1
FINISH	PART NUMBER

THIS DRAWING IS A CONTROLLED DOCUMENT.		DIN B CARBO 10NOV05		Tyco Electronics Corporation Harrisburg, Pa 17105-3608	
DIMENSIONS: mm		G.SKIPPER 10NOV05		NAME	
0-PLC ±		G.SKIPPER 10NOV05		108-19082	
1-PLC ± 0.2		PRODUCT SPEC		APPLICATION SPEC	
2-PLC ± 0.02		114-19029		SIZE CASE CODE DRAWING NO	
3-PLC ± 0.005		WEIGHT		A1 00779 C=6392174	
4-PLC ± 0.30		MATERIAL		CUSTOMER DRAWING	
FINISH SEE TABLE		SCALE 4:1		SHEET 1 OF 2	

LOC		DIST		REVISIONS			
IF	LTR	DESCRIPTION	DATE	DRN	APVD		
AD	00	SEE SHEET 1	-	-	-	-	-

- 1 MATERIAL:
CONTACT: PHOSPHOR BRONZE.
HOUSING: GLASS-FILLED POLYESTER.
- 2 GENERAL PLATING SPECIFICATION: UNDERPLATING
(ENTIRE CONTACT): 1.27µm MIN NICKEL AND ACTION
PIN: 0.5µm MIN TIN.
FOR PLATING OF MATING SURFACES SEE APPLICABLE
SPECIFICATION REFERENCE FOR EACH DASH NUMBER.
- 3 CONFORMS TO ALL TESTING ACCORDING TO IEC 61076-4-101
PERFORMANCE LEVEL 2.
- 4 CONFORMS TO ALL TESTING ACCORDING TO IEC 61076-4-101
PERFORMANCE LEVEL 1.
- 5 CONNECTOR TESTED AND QUALIFIED AGAINST TELCORDIA GR-1217-CORE QUALITY LEVEL 3,
CENTRAL OFFICE APPLICATIONS.
- 6 CONNECTOR TESTED AND QUALIFIED AGAINST TELCORDIA GR-1217-CORE QUALITY LEVEL 3,
UNCONTROLLED ENVIROMENT APPLICATIONS.
- 7 CONNECTOR MARKED WITH PART NUMBER AND DATE CODE.
ADDITIONAL CHARACTERS OR MARKINGS, AS WELL AS THE LOCATION OF THE MARKINGS,
MAY BE ADDED FOR TRACEABILITY BASED UPON MANUFACTURERS DISCRETION.
- 8 PLATED-THROUGH HOLES AT 2x2mm SQUARE GRID
PATTERN DEFINED BY CONTACT LAYOUT.
- 9 FOR ACTUAL PIN LOADING SEE "CONTACT LAYOUT".
- 10 FOR ACTUAL PIN DIMENSIONS SEE "CONTACT DIMENSIONS".
- 11 TO BE MEASURED AT BOTTOM OF SHROUD.
- 12 LOCATION PEG.

THIS DRAWING IS A CONTROLLED DOCUMENT.		DWN B. CARBO	10NOV05	Tyco Electronics Corporation Harrisburg, Pa 17105-3608																			
DIMENSIONS: mm		CHK G. SKIPPER	10NOV05	NAME MALE ASSEMBLY, Z-PACK 2mm HM, TYPE C																			
TOLERANCES UNLESS OTHERWISE SPECIFIED:		APD G. SKIPPER	10NOV05	PRODUCT SPEC 108-19082																			
<table border="0"> <tr><td>0-PLC</td><td>±</td><td></td></tr> <tr><td>1-PLC</td><td>±0.2</td><td></td></tr> <tr><td>2-PLC</td><td>±0.02</td><td></td></tr> <tr><td>3-PLC</td><td>±0.005</td><td></td></tr> <tr><td>4-PLC</td><td>±</td><td></td></tr> <tr><td>ANGLES</td><td>±0.30°</td><td></td></tr> </table>		0-PLC	±		1-PLC	±0.2		2-PLC	±0.02		3-PLC	±0.005		4-PLC	±		ANGLES	±0.30°		APPLICATION SPEC 114-19029		SIZE A1	CAGE CODE 00779
0-PLC	±																						
1-PLC	±0.2																						
2-PLC	±0.02																						
3-PLC	±0.005																						
4-PLC	±																						
ANGLES	±0.30°																						
MATERIAL SEE SHEET 1	FINISH SEE SHEET 1	WEIGHT -		DRAWING NO 6392174	RESTRICTED TO -																		
CUSTOMER DRAWING		SCALE 4:1		SHEET 2 OF 2	REV A																		

单击下面可查看定价，库存，交付和生命周期等信息

[>>TE Connectivity\(泰科\)](#)