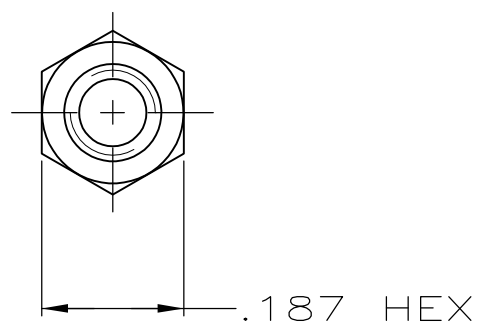
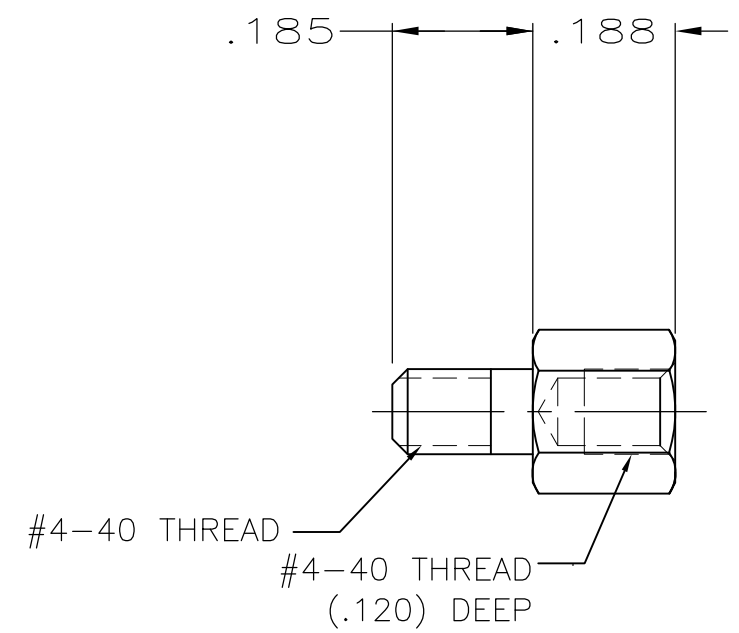


THIS DRAWING IS UNPUBLISHED. RELEASED FOR PUBLICATION  
 © COPYRIGHT - By - ALL RIGHTS RESERVED.

LOC	DIST	REVISIONS					
GP	00	P	LTR	DESCRIPTION	DATE	DWN	APVD
		P		REVISED PER ECO-11-004835	11MAR11	RK	HMR

1 ZINC PLATED .000200-.000400 THICK CLEAR CHROMATE COATING.



5747877-3  
 PART NUMBER

THIS DRAWING IS A CONTROLLED DOCUMENT.		DWN	R.RICHARDSON	17JUN05	<b>STE</b> TE Connectivity		
DIMENSIONS: INCHES		CHK	C.ROHDE	17JUN05			
TOLERANCES UNLESS OTHERWISE SPECIFIED:		APVD	M.WALMSLEY	17JUN05	NAME		
0 PLC ± -		PRODUCT SPEC		SCREWLOCK, FEMALE, SPECIAL, AMPLIMITE			
1 PLC ± -		APPLICATION SPEC		-			
2 PLC ± -		SIZE	A3	CAGE CODE	00779	DRAWING NO	C-5747877
3 PLC ± .005		WEIGHT		RESTRICTED TO		-	
4 PLC ± -		CUSTOMER DRAWING		SCALE	4:1	SHEET	1 OF 1
ANGLES ± -		FINISH		REV		P	
MATERIAL		STEEL PER ASTM A108		1		-	

单击下面可查看定价，库存，交付和生命周期等信息

[>>TE Connectivity\(泰科\)](#)