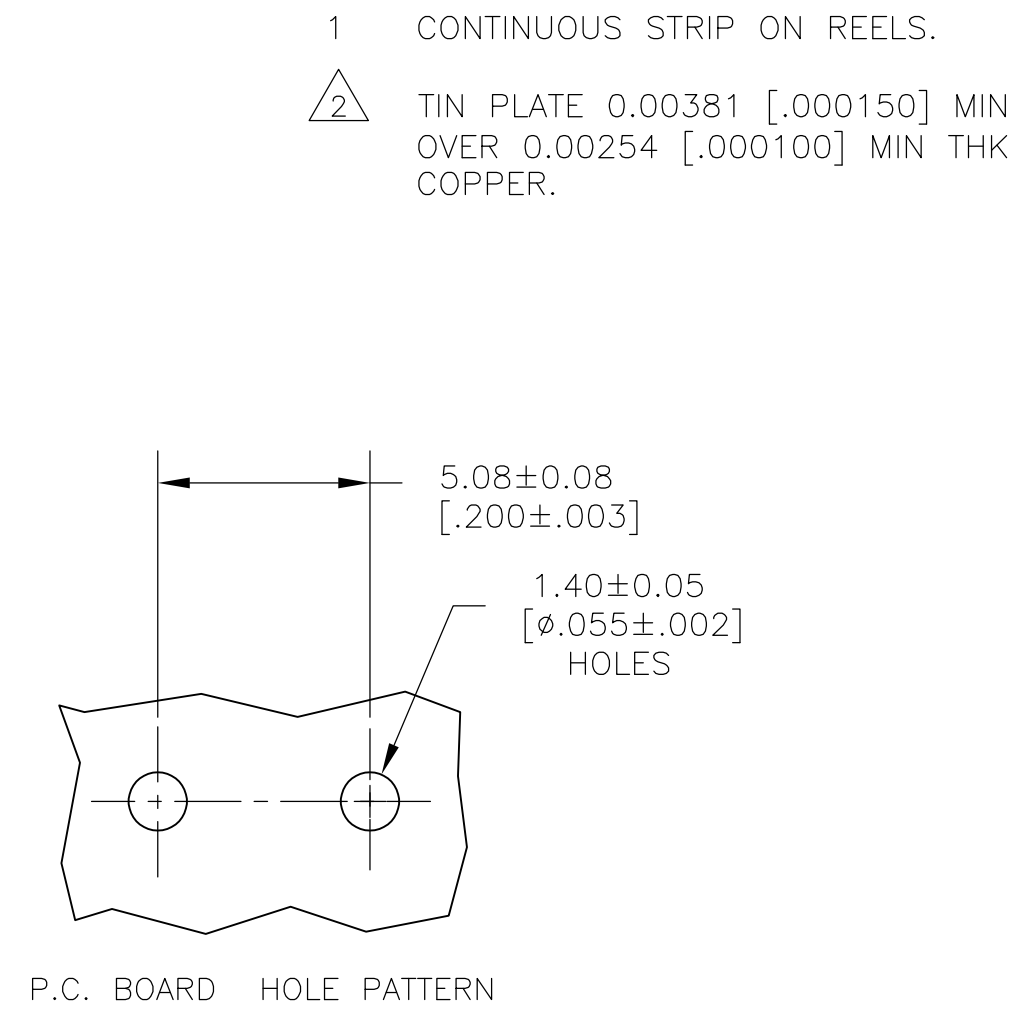
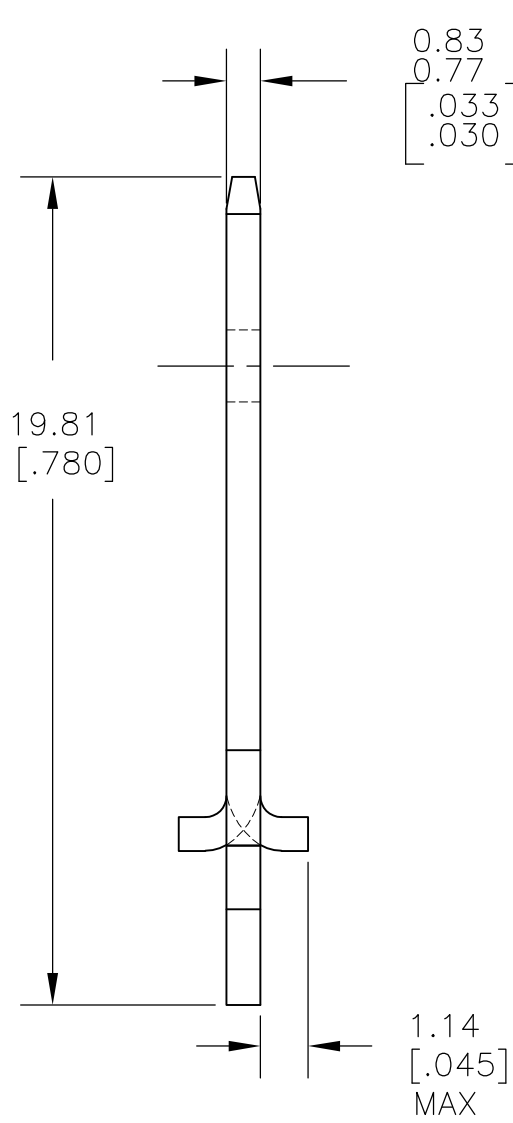
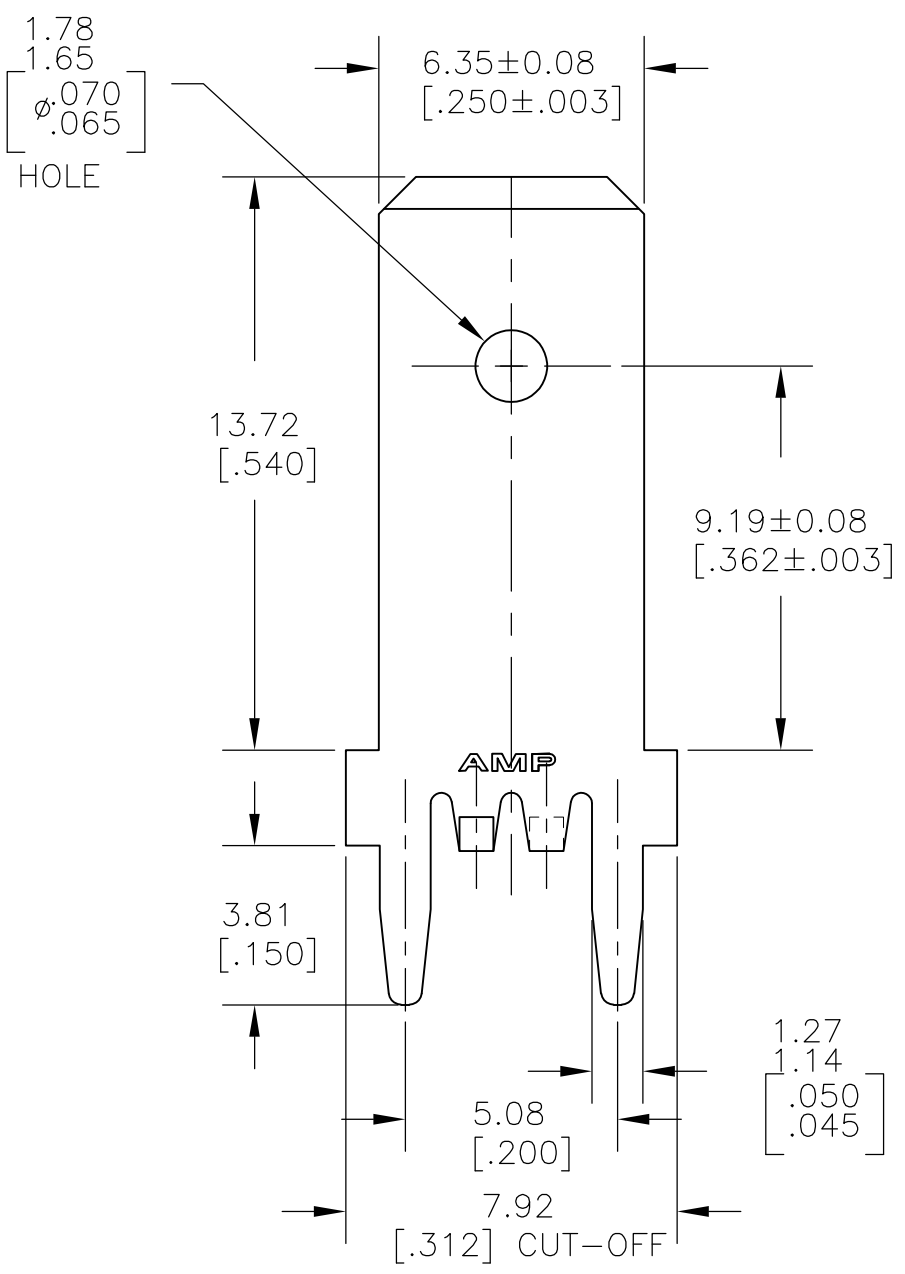


LOC	DIST	REVISIONS					
AF	50	P	LTR	DESCRIPTION	DATE	DWN	APVD
		D		REVISED PER ECR-13-001204	27JUN13	KH	PD



1217127-1
 PART NO.

THIS DRAWING IS A CONTROLLED DOCUMENT.		DWN	JR RUTH	28MAR01	TE Connectivity NAME TAB, FASTON, P.C.BOARD 6.35 [.250]		
DIMENSIONS: mm [INCHES]		CHK	MS FEHER	28MAR01			
TOLERANCES UNLESS OTHERWISE SPECIFIED:		APVD	N DEIBERT	28MAR01			
0 PLC ± - 1 PLC ± - 2 PLC ± 0.25 [.010] 3 PLC ± - 4 PLC ± - ANGLES ± -		PRODUCT SPEC	-	-			
MATERIAL	BRASS	FINISH	2 2		APPLICATION SPEC - WEIGHT - SIZE A3 CAGE CODE 00779 DRAWING NO C-1217127 RESTRICTED TO -		
CUSTOMER DRAWING					SCALE 6:1	SHEET 1 of 1	REV D

单击下面可查看定价，库存，交付和生命周期等信息

[>>TE Connectivity\(泰科\)](#)