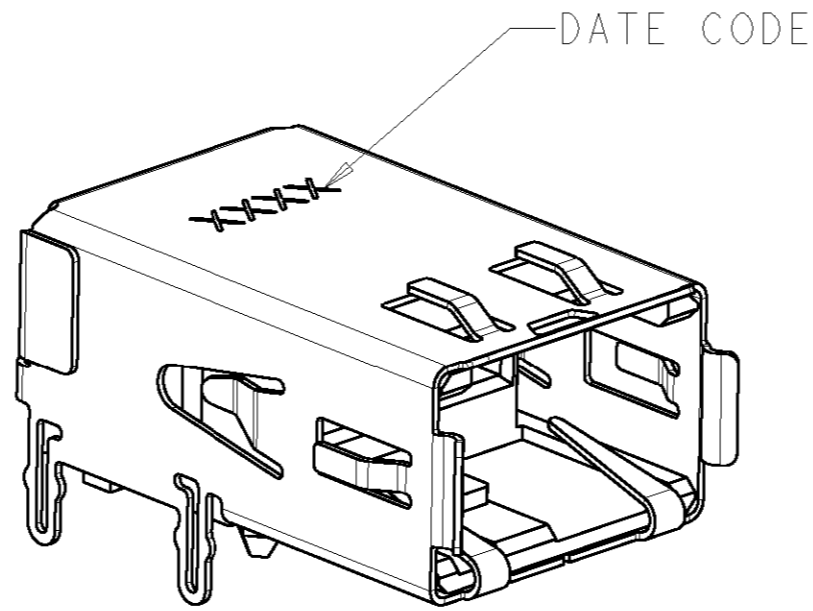
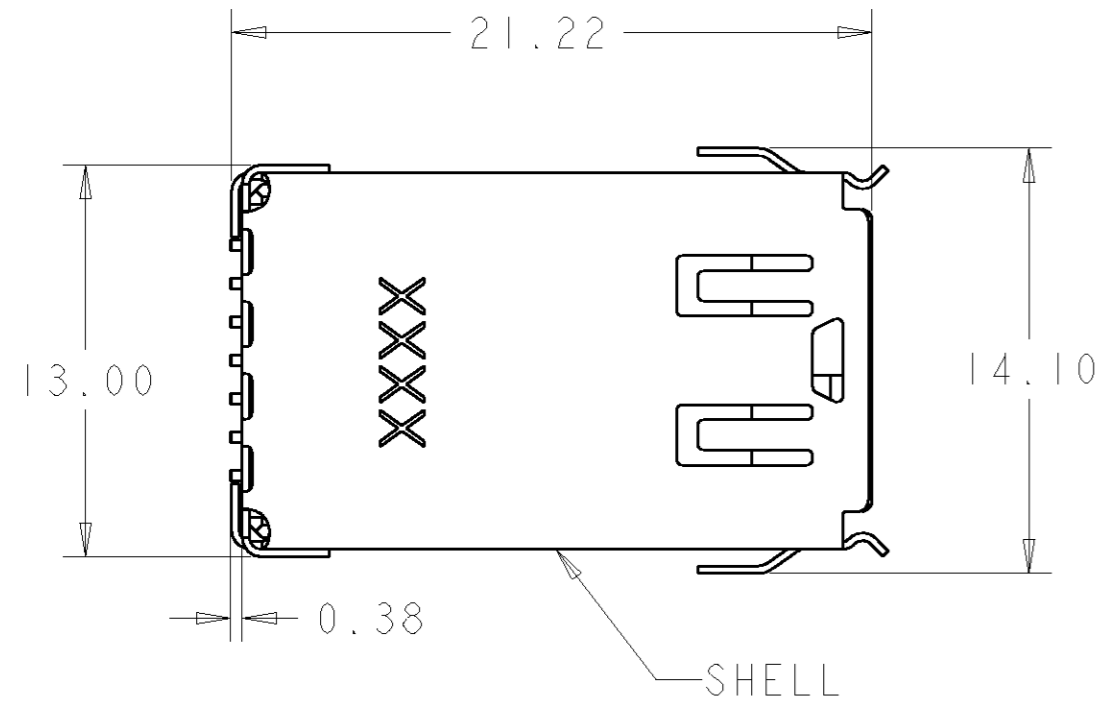
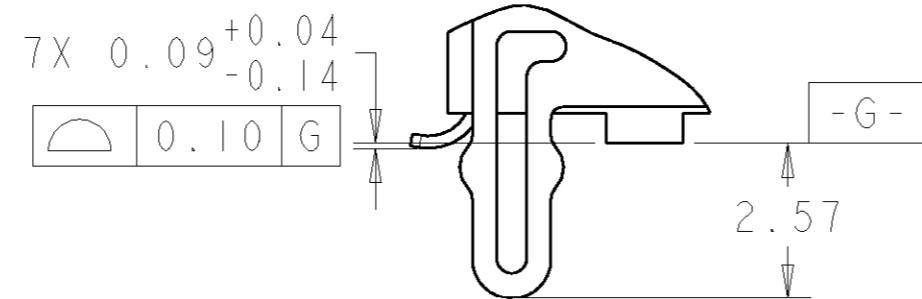
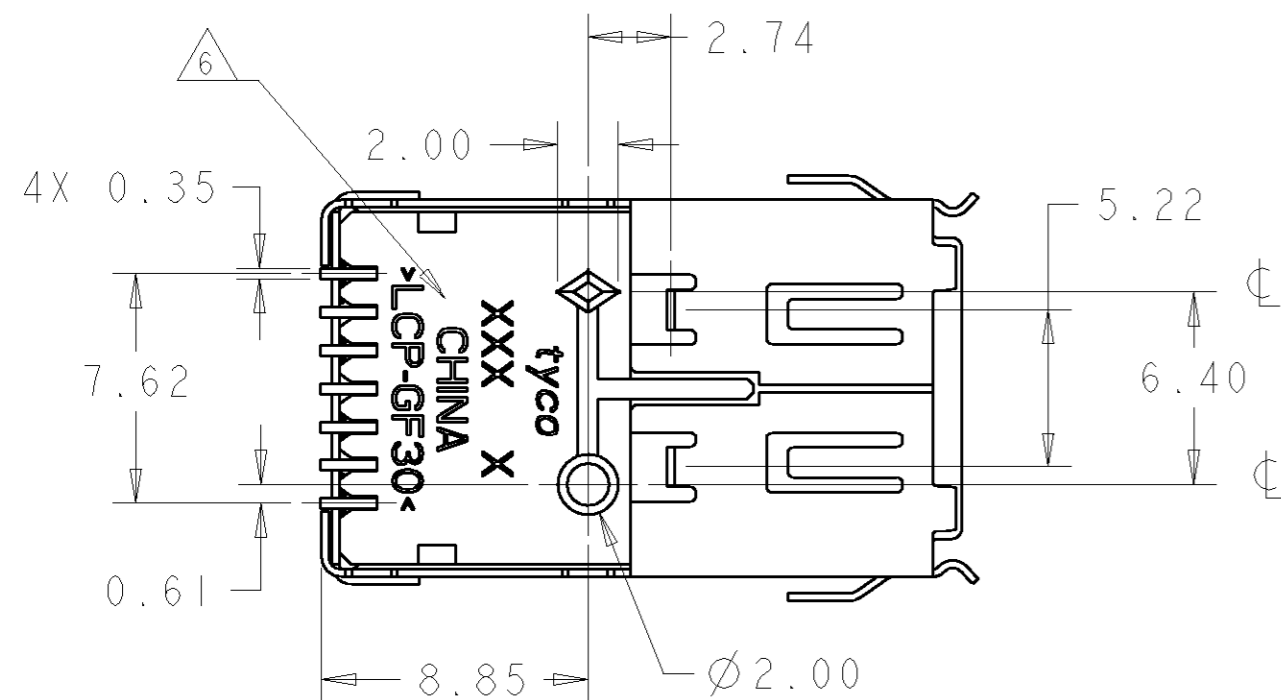
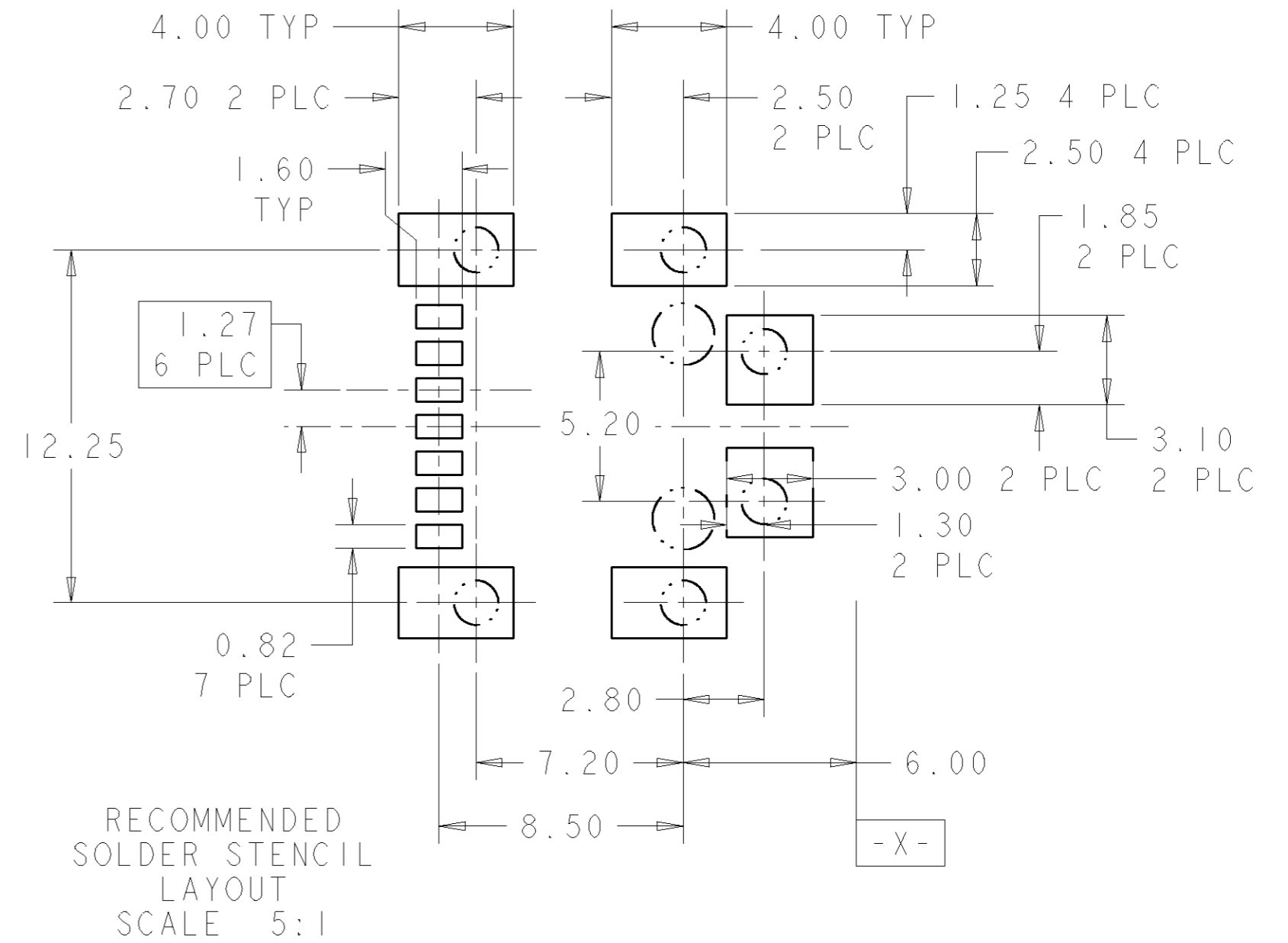
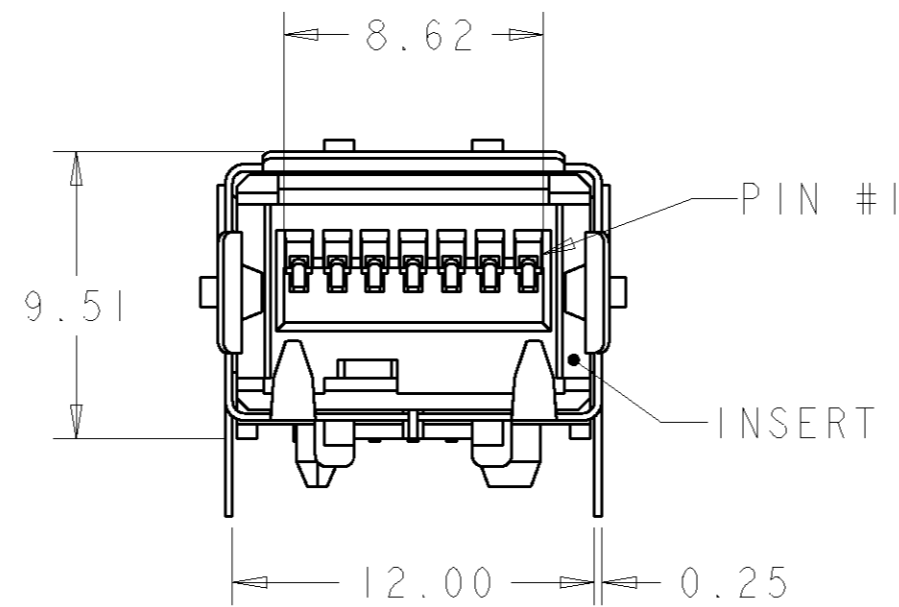
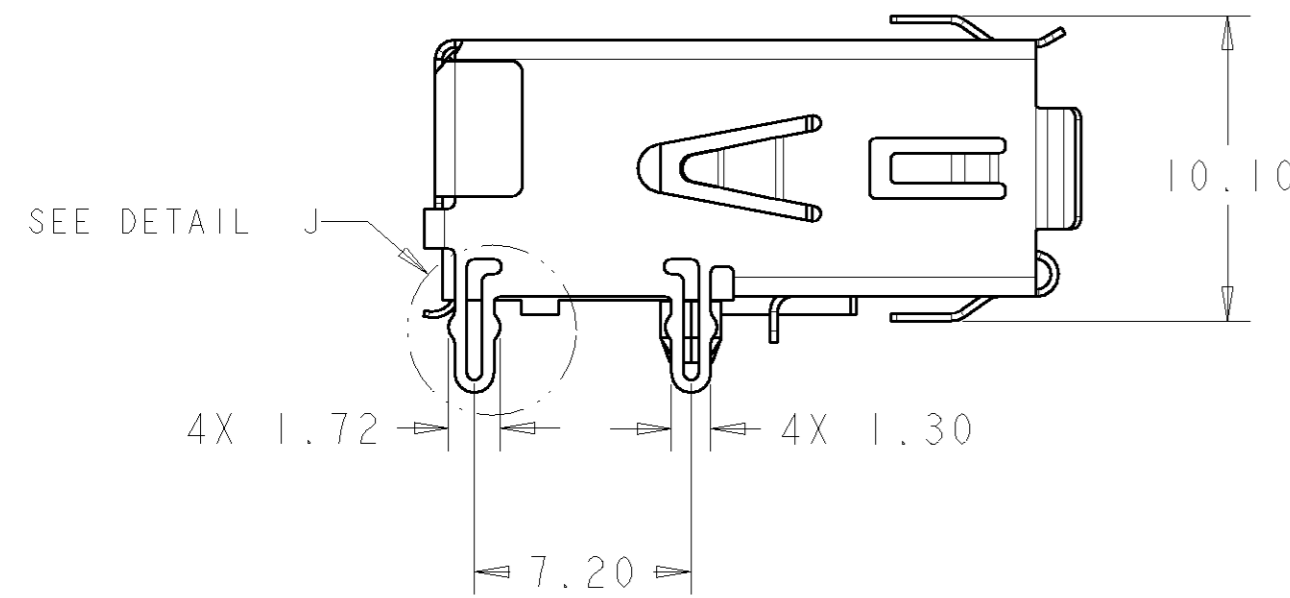


THIS DRAWING IS UNPUBLISHED. RELEASED FOR PUBLICATION 20  
 © COPYRIGHT 20 BY TYCO ELECTRONICS CORPORATION. ALL RIGHTS RESERVED.

LOC	DIST	REVISIONS			
P	LTR	DESCRIPTION	DATE	DWN	APVD
GP	00	A	RELEASED	17MAR06	BM SS
		A1	REVISED PER ECO-06-018770	04AUG06	BM SS
		A2	REVISED PER ECO-06-029973	28DEC2006	CJV SAS



- 1 INSERT: LCP, UL 94V-0 RATED.  
CONTACTS: COPPER ALLOY  
SHELL: PHOSPHOR BRONZE.
- 2 CONTACTS: 1.27µm MINIMUM GOLD OVER  
3.81µm MINIMUM NICKEL ON MATING END.  
3.81µm MINIMUM MATTE TIN OVER  
1.27µm MINIMUM NICKEL ON SOLDER TAILS.  
SHELL: 3µm MINIMUM TIN OVER  
1.27µm MINIMUM NICKEL.
- 3 DATUM AND BASIC DIMENSION ESTABLISHED BY CUSTOMER.
- 4 LOCATION OF STANDOFF CONTACTING THE BOARD.
- 5 PACKAGED TAPE AND REEL
- 6 TYCO LOGO, COUNTRY OF ORIGIN, MATERIAL CODE, BUILDING NUMBER AND MOLD CAVITY ID ARE FROSTED ON THIS SURFACE.



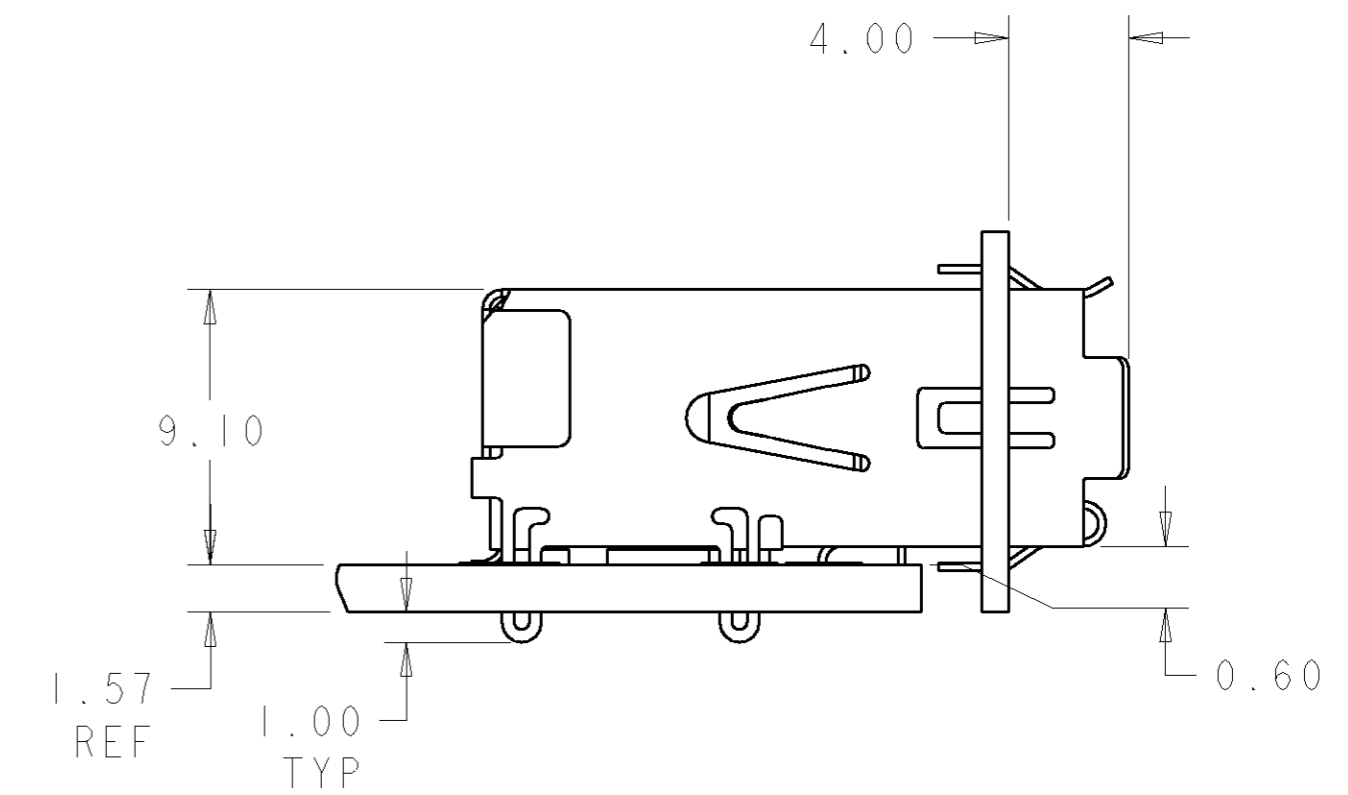
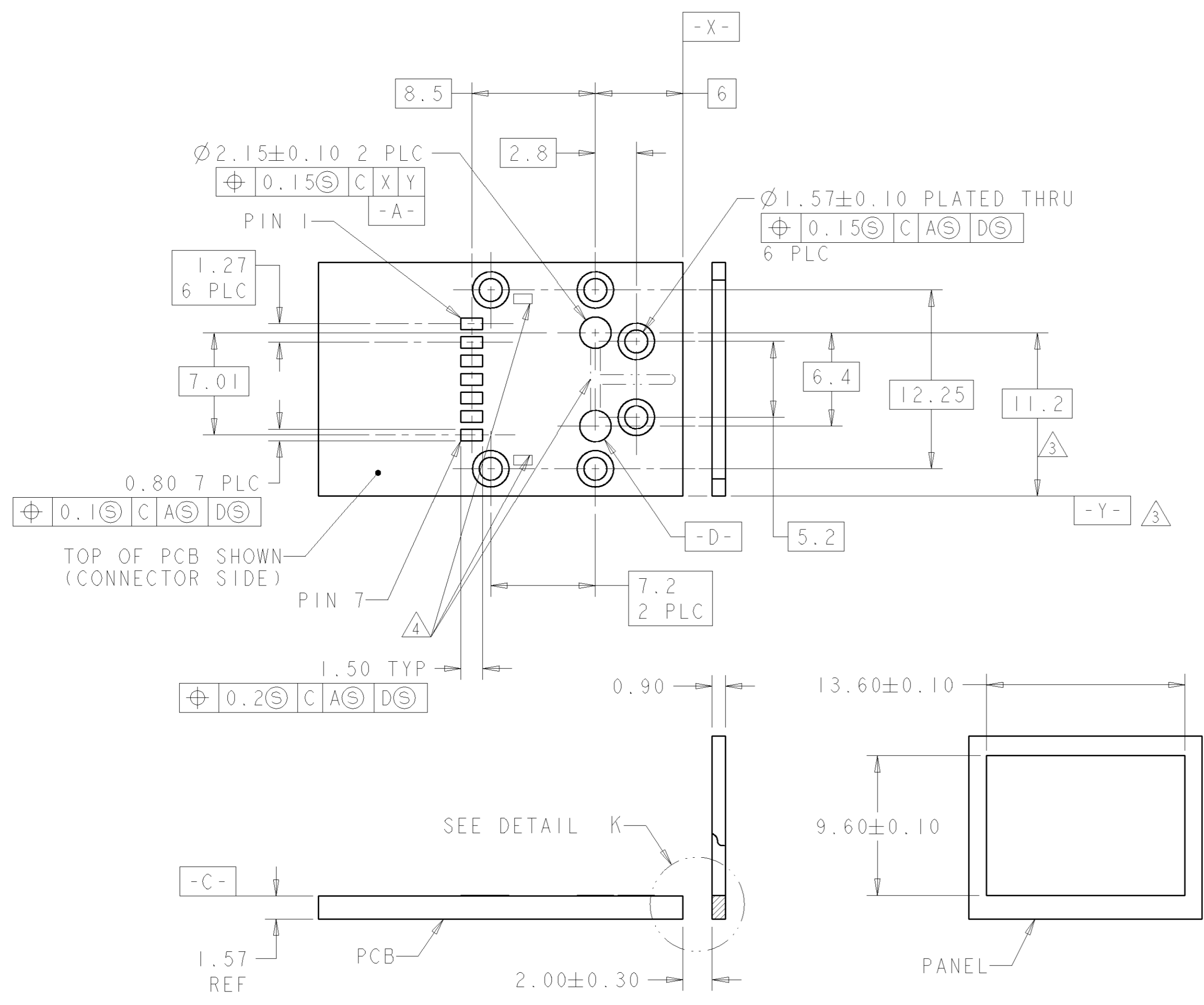
DETAIL J  
SCALE 8:1

RECOMMENDED  
SOLDER STENCIL  
LAYOUT  
SCALE 5:1

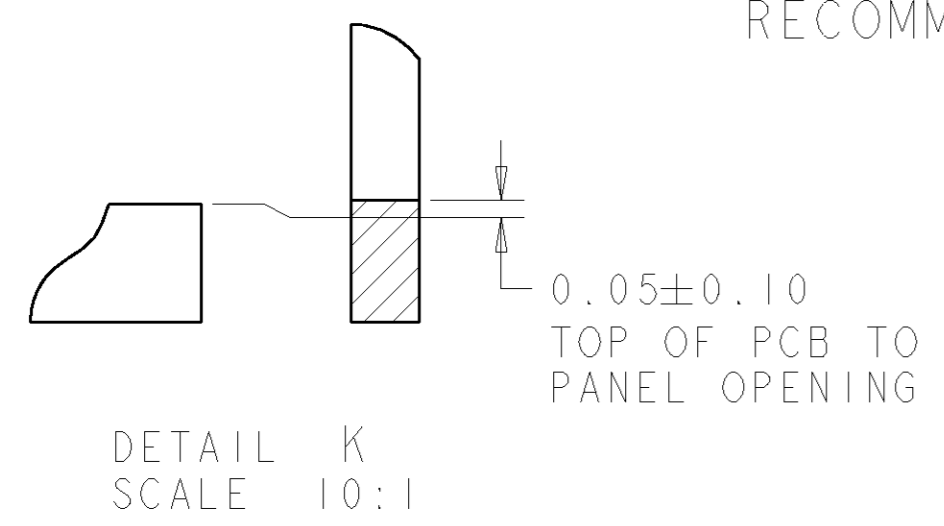
5	SOLDER TAIL WITH BOARDLOCK	1888372-1																																												
PACKAGING	DESCRIPTION	PART NUMBER																																												
<table border="0"> <tr> <td>DWN</td> <td>B. MCMMASTER</td> <td>17MAR06</td> <td rowspan="3">  Tyco Electronics Harrisburg, PA 17105-3608         </td> </tr> <tr> <td>CHK</td> <td>S. SHUEY</td> <td>17MAR06</td> </tr> <tr> <td>APVD</td> <td>S. SHUEY</td> <td>17MAR06</td> </tr> <tr> <td colspan="3">           NAME            RECEPTACLE ASSEMBLY, FIBRE CHANNEL,            SURFACE MOUNT, SINGLE ROW, HSSDC2         </td> <td rowspan="2">RESTRICTED TO</td> </tr> <tr> <td colspan="3">           PRODUCT SPEC            108-1965            APPLICATION SPEC            114-13028         </td> </tr> <tr> <td colspan="2">WEIGHT</td> <td>2.71</td> <td>SIZE</td> <td>A2</td> <td>CAGE CODE</td> <td>00779</td> <td>DRAWING NO</td> <td>1888372</td> </tr> <tr> <td colspan="2">CUSTOMER DRAWING</td> <td></td> <td>SCALE</td> <td>4:1</td> <td>SHEET</td> <td>1</td> <td>OF</td> <td>3</td> </tr> <tr> <td colspan="2"></td> <td></td> <td>REV</td> <td>A2</td> <td colspan="4"></td> </tr> </table>			DWN	B. MCMMASTER	17MAR06	Tyco Electronics Harrisburg, PA 17105-3608	CHK	S. SHUEY	17MAR06	APVD	S. SHUEY	17MAR06	NAME RECEPTACLE ASSEMBLY, FIBRE CHANNEL, SURFACE MOUNT, SINGLE ROW, HSSDC2			RESTRICTED TO	PRODUCT SPEC 108-1965 APPLICATION SPEC 114-13028			WEIGHT		2.71	SIZE	A2	CAGE CODE	00779	DRAWING NO	1888372	CUSTOMER DRAWING			SCALE	4:1	SHEET	1	OF	3				REV	A2				
DWN	B. MCMMASTER	17MAR06	Tyco Electronics Harrisburg, PA 17105-3608																																											
CHK	S. SHUEY	17MAR06																																												
APVD	S. SHUEY	17MAR06																																												
NAME RECEPTACLE ASSEMBLY, FIBRE CHANNEL, SURFACE MOUNT, SINGLE ROW, HSSDC2			RESTRICTED TO																																											
PRODUCT SPEC 108-1965 APPLICATION SPEC 114-13028																																														
WEIGHT		2.71	SIZE	A2	CAGE CODE	00779	DRAWING NO	1888372																																						
CUSTOMER DRAWING			SCALE	4:1	SHEET	1	OF	3																																						
			REV	A2																																										

THIS DRAWING IS UNPUBLISHED. RELEASED FOR PUBLICATION 20  
 © COPYRIGHT 20 BY TYCO ELECTRONICS CORPORATION. ALL RIGHTS RESERVED.

LOC	DIST	REVISIONS					
GP	00	P	LTR	DESCRIPTION	DATE	DWN	APVD
		-		SEE SHEET 1			



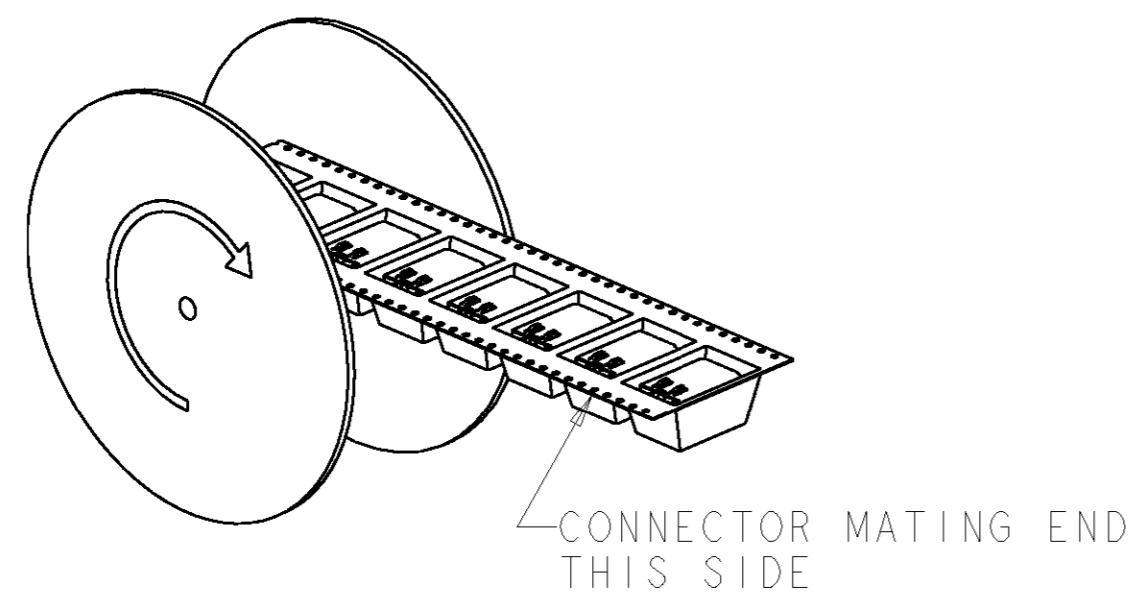
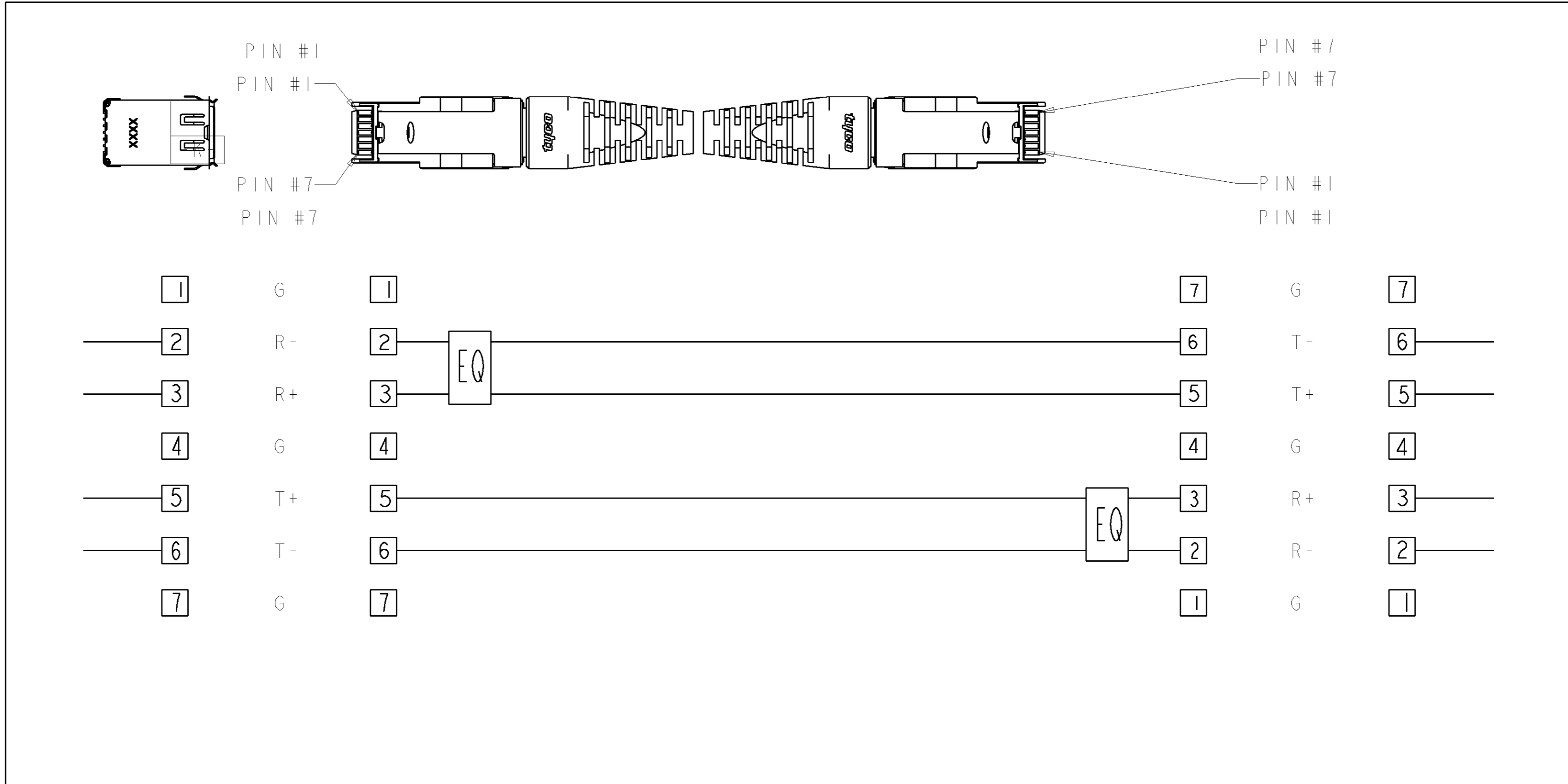
RECOMMENDED PCB AND PANEL LAYOUT  
 CONNECTOR SIDE SHOWN



THIS DRAWING IS A CONTROLLED DOCUMENT FOR TYCO ELECTRONICS CORPORATION IT IS SUBJECT TO CHANGE AND THE CONTROLLING ENGINEERING ORGANIZATION SHOULD BE CONTACTED FOR THE LATEST REVISION.		DWN B. MCMASTER 17MAR06	Tyco Electronics Harrisburg, PA 17105-3608	
DIMENSIONS: mm		CHK S. SHUEY 17MAR06	NAME RECEPTACLE ASSEMBLY, FIBRE CHANNEL, SURFACE MOUNT, SINGLE ROW, HSSDC2	
TOLERANCES UNLESS OTHERWISE SPECIFIED:		APVD S. SHUEY 17MAR06	PRODUCT SPEC 108-1965	
0 PLC ±		APPLICATION SPEC 114-13028		
1 PLC ±		WEIGHT 2.71		
2 PLC ±0.13		SIZE A2		
3 PLC ±		CAGE CODE 00779		
4 PLC ±		DRAWING NO 1888372		
ANGLES ±3°		RESTRICTED TO -		
FINISH		SCALE 3:1		
MATERIAL		SHEET 2 OF 3		
		REV A2		
		CUSTOMER DRAWING		

THIS DRAWING IS UNPUBLISHED. RELEASED FOR PUBLICATION 20  
 © COPYRIGHT 20 BY TYCO ELECTRONICS CORPORATION. ALL RIGHTS RESERVED.

LOC	DIST	REVISIONS			
P	LTR	DESCRIPTION	DATE	DWN	APVD
GP	00	-	SEE SHEET 1	-	-



TAPE AND REEL  
 PACKAGING ORIENTATION  $\Delta$   
 SCALE: NTS

PIN ASSIGNMENTS  
 REFERENCE ONLY  
 SCALE: NTS

<small>THIS DRAWING IS A CONTROLLED DOCUMENT FOR TYCO ELECTRONICS CORPORATION. IT IS SUBJECT TO CHANGE AND THE CONTROLLING ENGINEERING ORGANIZATION SHOULD BE CONTACTED FOR THE LATEST REVISION.</small>		DWN B. MCMMASTER 17MAR06 CHK S. SHUEY 17MAR06 APVD S. SHUEY 17MAR06	<b>tyco</b> Electronics Tyco Electronics Harrisburg, PA 17105-3608
DIMENSIONS: mm	TOLERANCES UNLESS OTHERWISE SPECIFIED: 0 PLC $\pm$ 1 PLC $\pm$ 2 PLC $\pm 0.13$ 3 PLC $\pm$ 4 PLC $\pm$ ANGLES $\pm 3^\circ$ FINISH	PRODUCT SPEC 108-1965 APPLICATION SPEC 114-13028 WEIGHT 2.71	NAME RECEPTACLE ASSEMBLY, FIBRE CHANNEL, SURFACE MOUNT, SINGLE ROW, HSSDC2 SIZE A2 CAGE CODE 00779 DRAWING NO. C-1888372 RESTRICTED TO - SCALE 3:1 SHEET 3 OF 3 REV A2
MATERIAL		CUSTOMER DRAWING	

单击下面可查看定价，库存，交付和生命周期等信息

[>>TE Connectivity\(泰科\)](#)