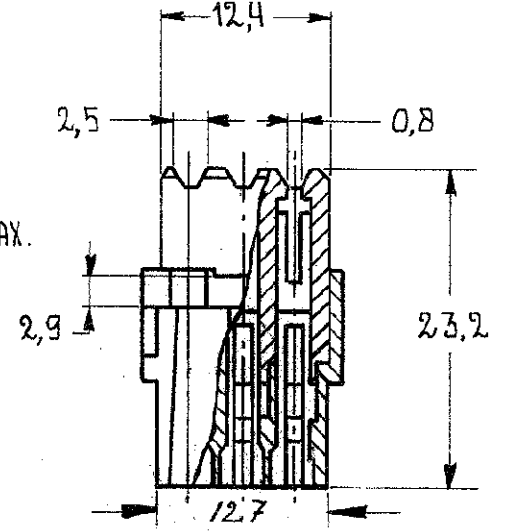
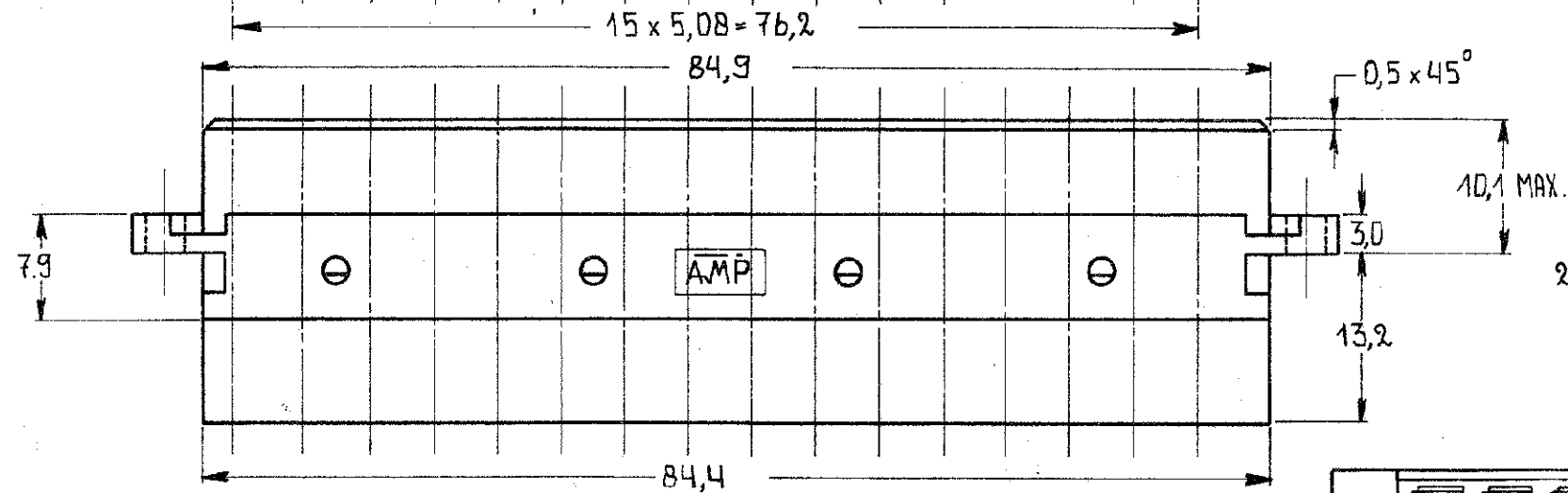
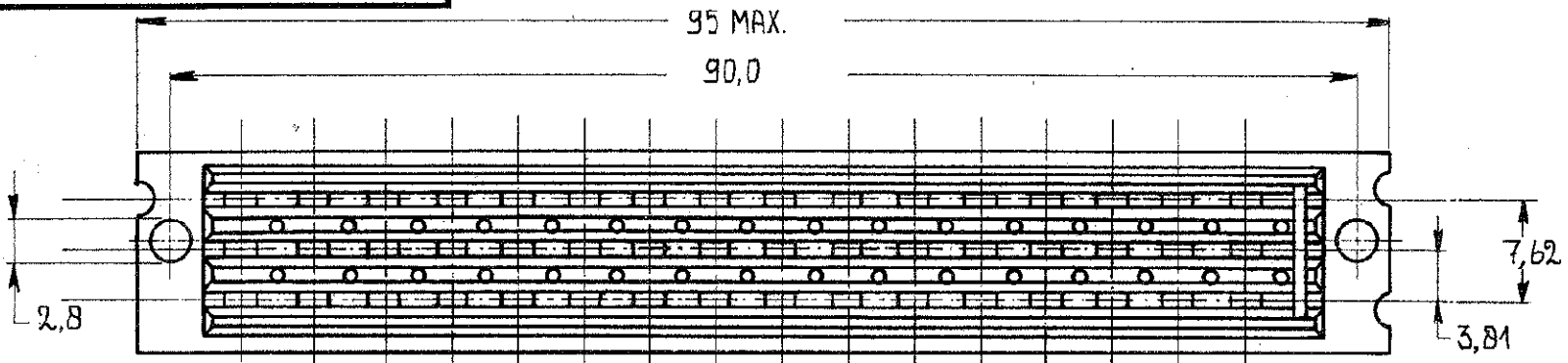
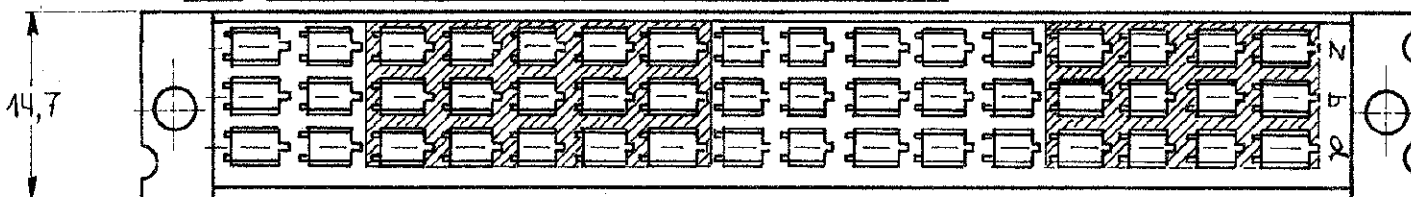


REV	DESCRIPTION	DATE	DWN	APR
G1	ECO-11-005027	6APR11	RK	HMR

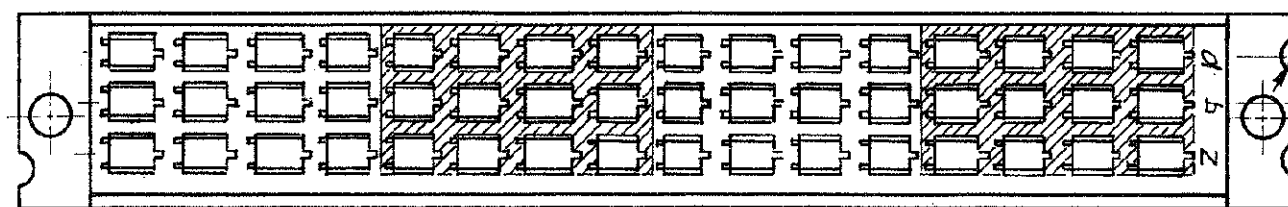


△ OBSOLETE

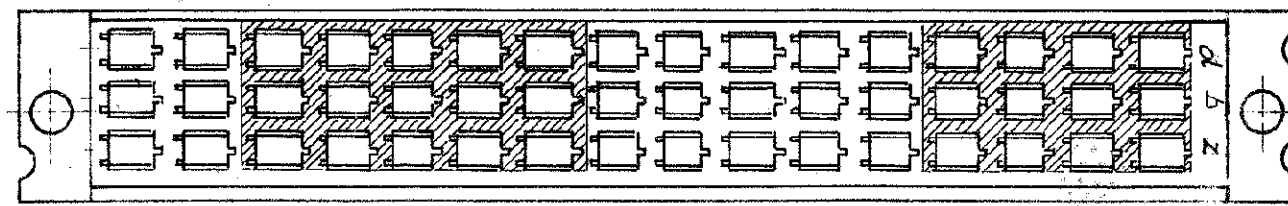
NOTE: BLOCK MARKING AND CAVITY NUMBERS PRINTED IN GREEN COLOR.



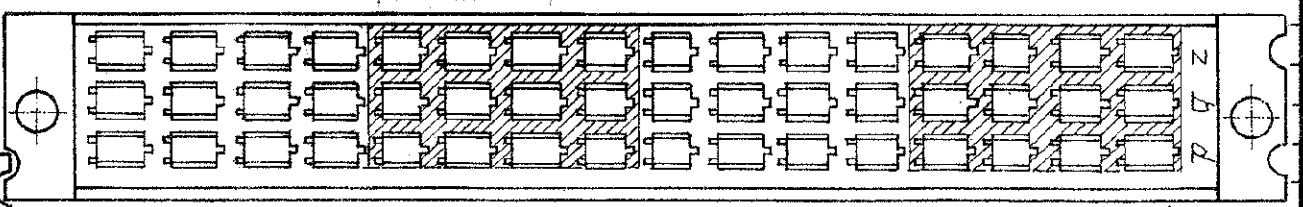
STYLE 3 FURTHER EQUAL TO 1.



STYLE 2.



STYLE 1



STYLE 4

△	166569-9	20% GLASS FILLED NORYL	GREY DAL 7032	4
△	166569-8	20% GLASS FILLED NORYL	GREY RAL 7032	3
△	166569-7	20% GLASS FILLED NORYL	GREY RAL 7032	1
	166569-1	20% GLASS FILLED NORYL	GREY RAL 7032	2
	ORDER NO.	MATERIAL	COLOR	STYLE

CUSTOMER COPY FOR REFERENCE ONLY

NUMBER C 166569	DR L VAN DER HEYDEN	DATE 29.03.80	 TE Connectivity	
	DATE 8.10.80	DATE 8.10.80		
	WIRE-RANGE	INSUL-RANGE	FIRST USED	
	SCALE 2:1	SIZE B	NO C 166569	SHEET 1 OF 2
APP [Signature]	DATE 8.10.80	NAME HOUSING, 48 POS., MIDI IEC CONNECTOR FOR CRIMP/SNAP-IN TAB RECEPTACLES (FEM.)		

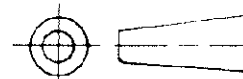
DIMENSIONS IN M.M. - DO NOT SCALE PRINT

DO NOT SCALE

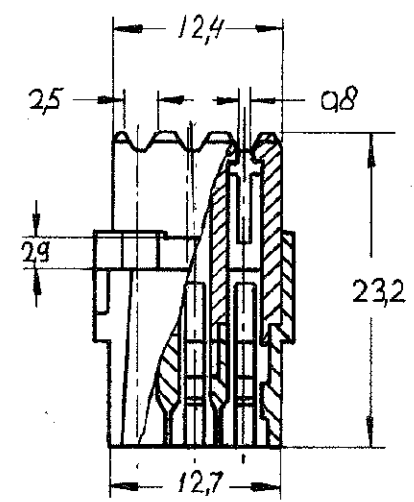
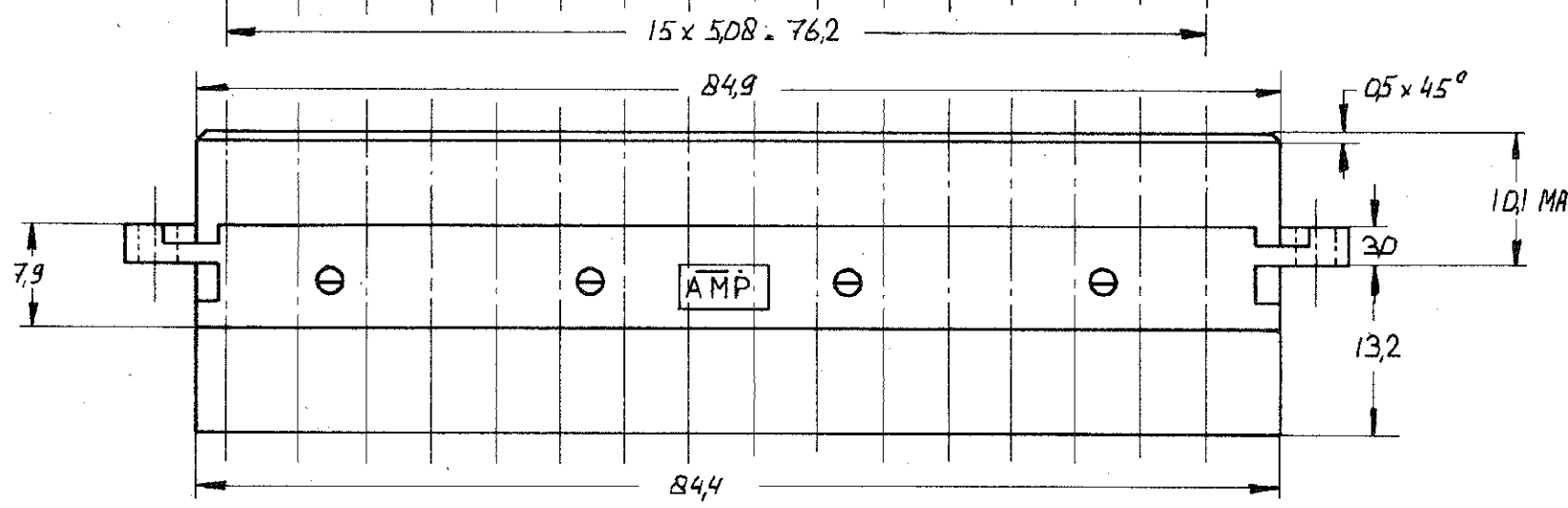
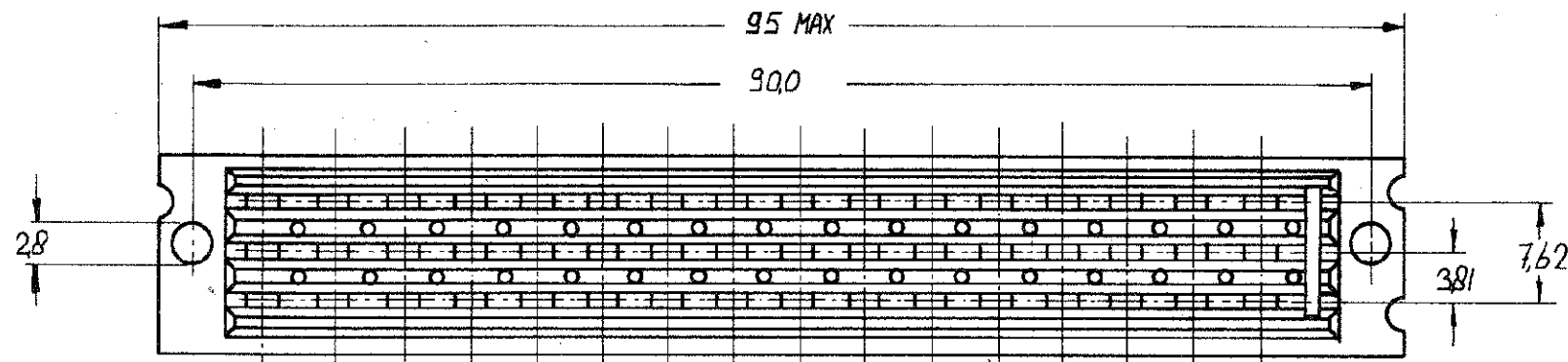
DIMENSIONS IN mm

METRIC

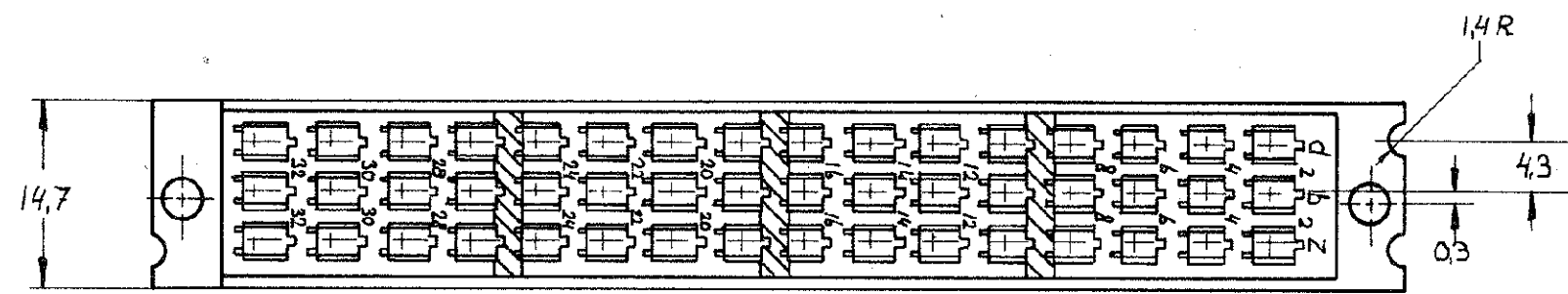
THIRD ANGLE PROJECTION



REV	DESCRIPTION	DATE	DWN	APR
-	SEE SHEET 1	-	-	-



NOTE:
1: BLOCK MARKING AND CAVITY NUMBERS PRINTED IN GREEN COLOR.



CUSTOMER DRAWING FOR REFERENCE ONLY WILL NOT BE UPDATED	GREY RAL 7032 <small>COLOR</small>	GLASSFILLED NORYL 20% <small>MATERIAL</small>	1.166569.0 <small>PART NUMBER</small>	
	TE Connectivity			
	THIS DRAWING IS UNPUBLISHED		RELEASED FOR PUBLICATION	
	DR. M.VAES 19.1.83	WIRE RANGE	NAME 48 POS FEMALE HOUSING TYPE F FOR CRIMP/SNAP IN CONTACT	REV. DATE D M Y 6 04 11
CHK <i>[Signature]</i> 20-1-83	INSUL RANGE	SIZE A3	SHEET 2 OF 2	
APP.	DRAWING NO C 166569	REV LTR G1		

8 7 6 5 4 3 2 1

单击下面可查看定价，库存，交付和生命周期等信息

[>>TE Connectivity\(泰科\)](#)