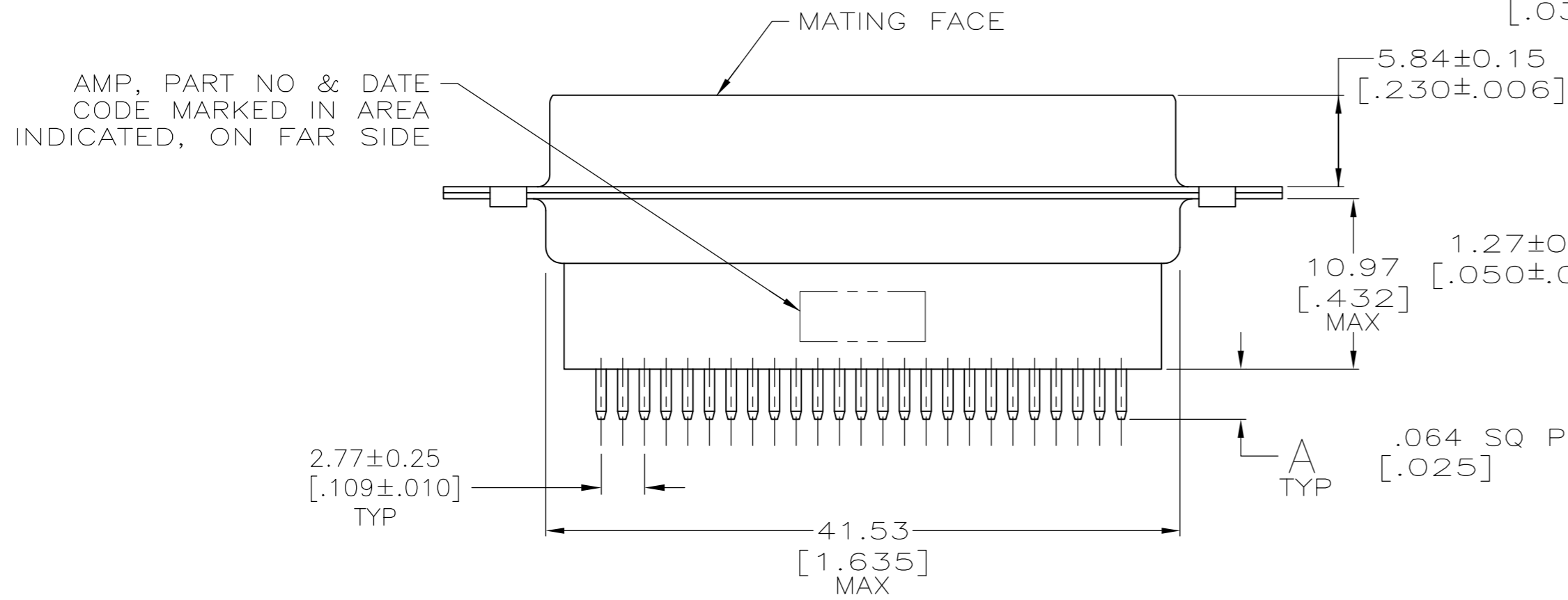
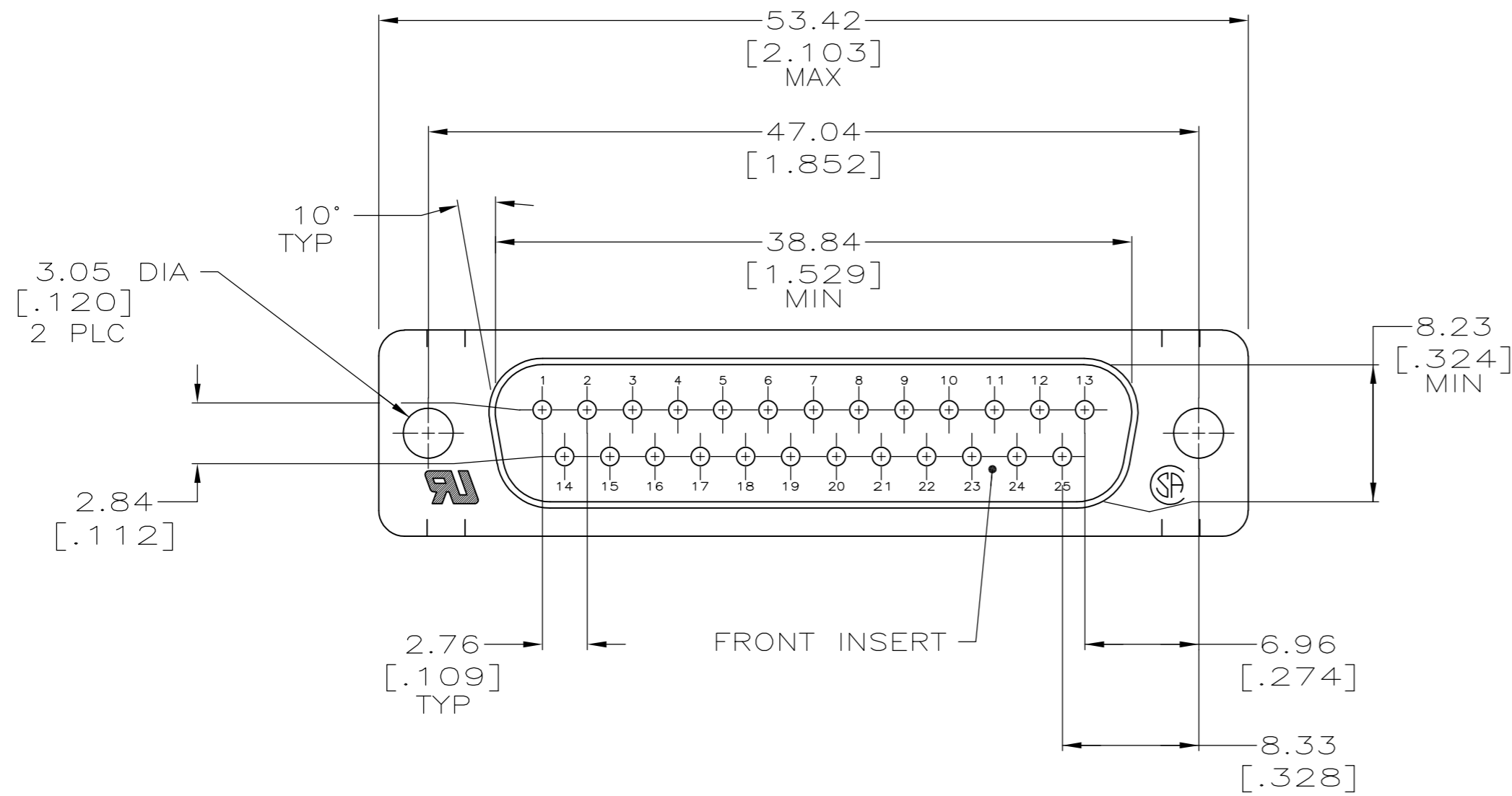
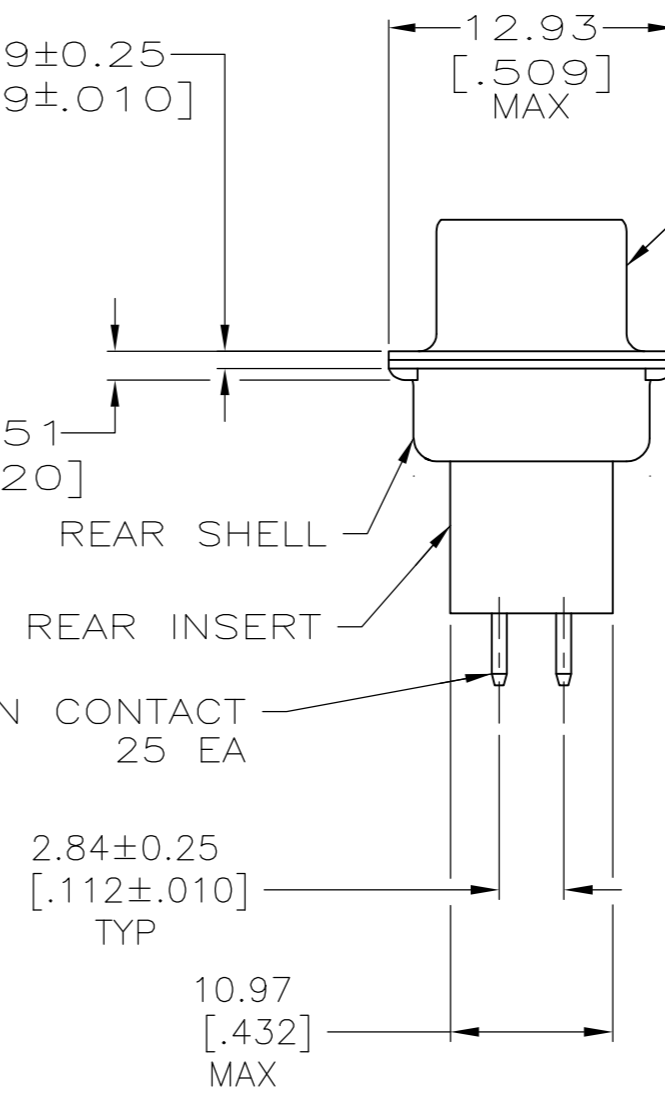


THIS DRAWING IS UNPUBLISHED. RELEASED FOR PUBLICATION
 © COPYRIGHT - By - ALL RIGHTS RESERVED.

LOC		DIST		REVISIONS			
P	LTR	DESCRIPTION	DATE	DWN	APVD		
GP	00	AA	REVISED PER ECO-14-011808	09AUG2014	AP	SB	



- ⚠ MOLDED PARTS: GLASS-FILLED PBT OR GLASS-FILLED NYLON, UL94V-0 RATED. COLOR: BLACK
- ⚠ SHELLS: CARBON STEEL.
- ⚠ CONTACTS: BRASS.
- ⚠ SHELLS: 5.08µm [.000200] MIN ZINC WITH YELLOW CHROMATE COATING.
- ⚠ CONTACTS: GOLD PLATED FOR LENGTH OF 3.81 [.150] MIN FROM MATING END, MIN GOLD (SEE TABLE) IN MATED AREA. 2.54µm [.000100] MIN TIN-LEAD ON SOLDER END, ALL OVER 1.27µm [.000050] MIN NICKEL.
- 3. NOTE DELETED.
- 4. NOTE DELETED.
- 5. NOTE DELETED.
- ⚠ NOTE DELETED.
- ⚠ OBSOLETE PART NUMBER.
- ⚠ SHELLS: 5.08µm [.000200] MIN ZINC WITH YELLOW CHROMATE COATING.
- ⚠ CONTACTS: GOLD PLATED FOR LENGTH OF 3.81 [.150] MIN FROM MATING END, 0.76µm [.000030] MIN GOLD IN MATED AREA, 2.54µm [.000100] MIN TIN-LEAD ON SOLDER END, BOTH OVER 1.27µm [.000050] MIN NICKEL.
- OR
- ⚠ GOLD FLASH OVER PALLADIUM-NICKEL PLATED FOR LENGTH OF 3.81 [.150] MIN FROM MATING END, 0.76µm [.000030] MIN TOTAL IN MATED AREA, 2.54µm [.000100] MIN TIN-LEAD ON SOLDER END, BOTH OVER 1.27µm [.000050] MIN NICKEL.



	-	-	⚠	205737-9
SUPSD 205737-7	⚠	4.78 [.188]		205737-8
	⚠	4.78 [.188]		205737-7
SUPSD 205737-7	⚠	16.54 [.651]		205737-6
	-	-	⚠	205737-5
SUPSD 205737-7	⚠	10.85 [.427]		205737-4
SUPSD 205737-7	⚠	10.85 [.427]		205737-3
SUPSD 205737-7	⚠	3.18 [.125]		205737-2
SUPSD 205737-7	⚠	3.18 [.125]		205737-1
	GOLD FINISH	A		PART NUMBER

THIS DRAWING IS A CONTROLLED DOCUMENT.

DWN	J. POLIGNONE	01FEB07
CHK	E. BRIANT	01FEB07
APVD	E. BRIANT	01FEB07

TE Connectivity

NAME: PLUG ASSY, SIZE 3, 25 POS, VERTICAL, -

PRODUCT SPEC	108-40025	SIZE	A2	CAGE CODE	00779	DRAWING NO	C=205737	RESTRICTED TO	-
APPLICATION SPEC	114-40013	WEIGHT	-	SCALE	NTS	SHEET	1 OF 1	REV	AA

CUSTOMER DRAWING

单击下面可查看定价，库存，交付和生命周期等信息

[>>TE Connectivity\(泰科\)](#)